



# COMPANY PROFILE



EMYTE AUSTRALIA PTY LTD is a professional brand for fluid connect components, it is situated in Melbourne, Australia, and its manufacture plant is based in Shanghai, China.

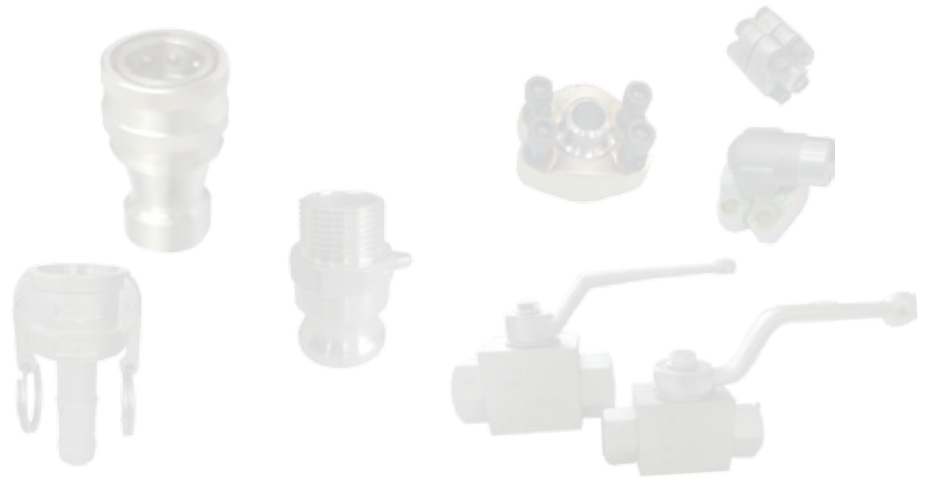
Emyte designs, manufactures and sells different standards & materials products, including compression fitting, welding fitting, adapter, hose fitting, clamp, quick release coupling, ball value, check value, hose and other related products.

With excellent standard and continuing developed new products, Emyte has met the different needs of customers, and won solid trust throughout those years. Emyte products are widely used in engineering, oil, marine, steel, power, paper manufacturing, pulp, mining and others industries.

As a globe leading brand for fluid connect components, we would like to supply and provide Emyte's best quality products and service.

Emyte Australia, your ideal partner for fluid components.





» Don't do followers to be leader



EMYTE SHANGHAI



# Advanced technology excellent quality



# Index



Description Clamps	1/3
Light pipe Clamps	5/6
Light A single bolt pipe clamp series	7/14
Light double pipe clamp series	15/40
Heavy pipe clamp series	41/55
Small pipe clamps	56/59
Single-Multi pipe clamps	60/64
Tightening thick pipe clamps	65/68
Tiwn steel pipe clamps	69/70
One side steel pipe clamps	71
Multiple steel pipe clamps	72
Square steel multi-pipe clamps	73/74
Flat steel pipe clamps	75/78
U-form pipe clamps	79/82
Anti-vibration steel pipe clamps	83/87
Combined aluminum pipe clamps	88
Other pipe clamps	89

## Description of clamps

### General information

#### ▲ [Range]

Clamps in light series can be supplied in 9 series for pipes under normal mechanical pressure. Pipe's o.d. ranges from 6-102mm.

Clamps in heavy series can be supplied in 11 series for pipes under high mechanical pressure. Pipe's o.d. ranges from 6-508mm.

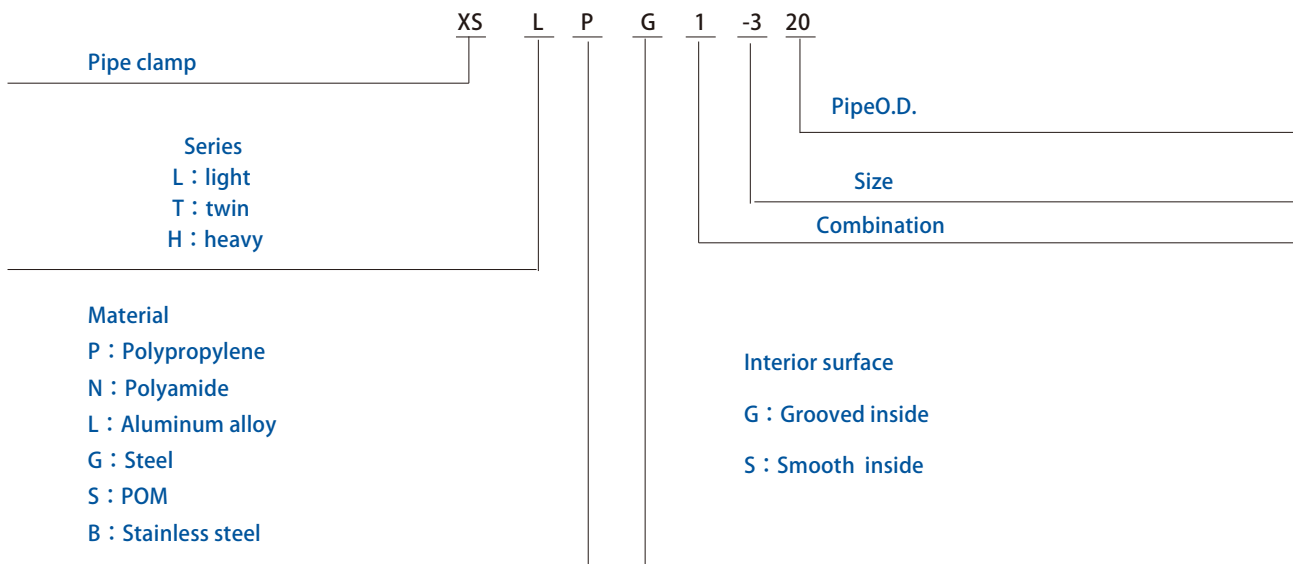
Clamps in twin series can be supplied in 5 series for pipes under mechanical pressure. Pipe's o.d. ranges from 6-42mm.

#### ▲ [Material properties]

properties	Polypropylene	Polyamide
Density	0.906g/cm <sup>3</sup>	1.12-1.15g/cm <sup>3</sup>
Bending strength	36N/m <sup>2</sup>	130...200N/m <sup>2</sup>
Impact resistance	No fracture	No fracture
Compressive strength	90N/m <sup>2</sup>	120N/m <sup>2</sup>
Modulus of elasticity	1500N/m <sup>2</sup>	3000N/m <sup>2</sup>
Tensile stress	25-35N/m <sup>2</sup>	80-90N/m <sup>2</sup>
Max temperature resistance	-30+90°C	-40...+120°C
Color	Green, blue	black
Other materials are available upon request.		

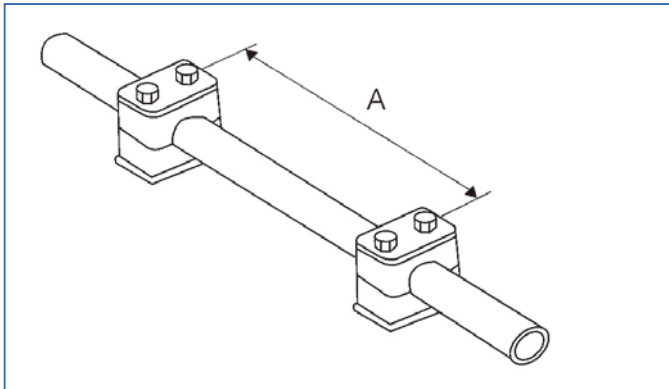
#### ▲ [Ordercode]

Order code of single part and accessory varies as the serial code varies.



Note.acc to national standard:JB/ZQ4008-97

## Recommended installation distance for clamps



pipe O.D.(mm)	Clamp distance(mm)
6-14	0.9
15-22	1.2
23-28	1.5
30-38	2
40-48.3	2.5
50-57	3
60.3-70	3.4
73-88.9	3.7
90-108	4
114-165.1	4.3
140-165.1	5
168.3-220	5.5
273-324	6
356-406	6.5
419-508	7

When fixing the bends or the knees with clamps, make sure to fix them as close to both sides of the bend as possible.

## Assembly information

### Assembly on welded plate

In order to determine the direction of clamps, it's recommended to mark where needs to be fixed first before assembly. Then start welding, and embed the lower half of the clamp, and set the pipes that need to be fixed. Set another half of the clamp and cover plate, and screw them with bolts.

Do not weld the base plates that have clamps installed directly.

### Assembly on rails

Rails can be welded on the foundation, or fixed with bolts. Then push the rail nut into the rails and turn 90°. Embed the lower half of the clamp into the nut and set the pipes that need to be fixed. Set the upper half of the clamp and cover plate, and fix them with bolts.

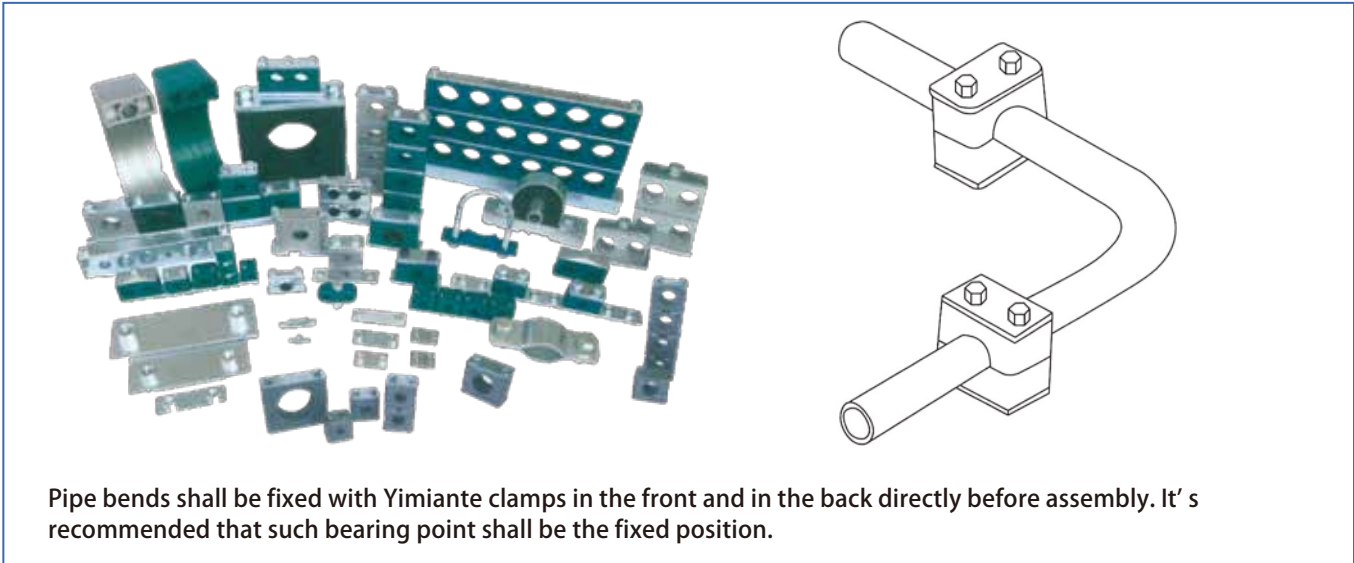
### Mult-level Assembly

Rails can be welded on the foundation, or fixed with bolts. Install the lower half of the clamp first, and set the pipes that need to be fixed. Then install the upper half of the clamp and fix it with bolts which must be prevented from moving with anti-loose cover plate. Then install the second the clamp with the method aforesaid.

Light series(acc. ToDIN3015.part1)					
Size	Bolts for fixation fixation GB5782-86	Polpropylene		6 Polyamide	
		Bolt tightening torque(Nm)	Clamping forceF(KN)	Bolt tightening torque(Nm)	Clamping force(KN)
0	M6	8	0.6	10	0.6
1	M6	8	1.1	10	0.7
2	M6	8	1.3	10	0.8
3	M6	8	1.4	10	1.6
4	M6	8	1.5	10	1.7
5	M6	8	1.9	10	2.0
6	M6	8	2.0	10	2.5

Note.acc to national standard:JB/ZQ4008-97

**Pipe bend assembly**

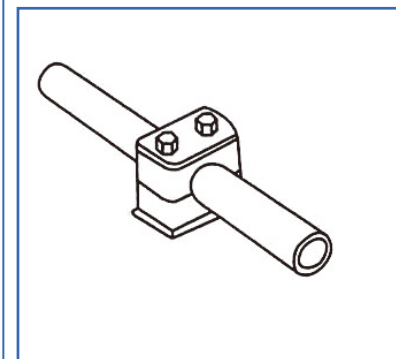


Pipe bends shall be fixed with Yimiante clamps in the front and in the back directly before assembly. It's recommended that such bearing point shall be the fixed position.

Heavy series(acc. to DIN3015,part2)					
Size	Bolts for fixation GB5782-86	Polpropylene		6Polyamide	
		Bolt tightening torque(Nm)	Clamping force(KN)	Bolt tightening torque(Nm)	Clamping force(KN)
1	M10	12	1.6	20	4.2
2		12	2.9	20	4.5
3		15	3.3	25	5.1
4	M12	30	8.2	40	9.3
5	M16	45	11.0	55	21.0
6	M20	80	14.0	150	25.8
7	M24	110	28.0	200	32.0
8	M30	180	40.0	350	48.0

**Bolt Tightening Force and Axial Clamping Force on Pipes**

The axial clamping force on pipes (according to DIN3015. part 10) is an average value, which is obtained by three experimental values. An st37 steel pipe in accordance with DIN2448 is used for the experiment which is at 23° C and has static friction. When the clamp is under a testing force (F) listed at the axial direction, the pipe inside the clamp won't slide.



Twin series(acc. to DIN3015. part 3)					
Size	Bolts for fixation	Polpropylene		6Polyamide	
		Bolt tightening torque(Nm)	Clamping force(KN)	Bolt tightening torque(Nm)	Clamping force(KN)
1	GB5782-86	5	0.9	5	0.9
2	M6	12	2.1	12	2.2
3	M8	12	1.9	12	2.0
4		12	2.7	12	2.9
5		8	1.7	8	2.5

Note.acc to national standard:JB/ZQ4008-97



**Lo series with single bolt**

**Light pipe clamps:** This type of products is applicable for fixed pipes having oil, water and gas as media of mechanical hydraulic systems in fields like metallurgy, petroleum, chemical industry, automobile, shipping, and electricity. Light series is applicable for fixing MP and LP pipes (PN ≤ 8MPa).

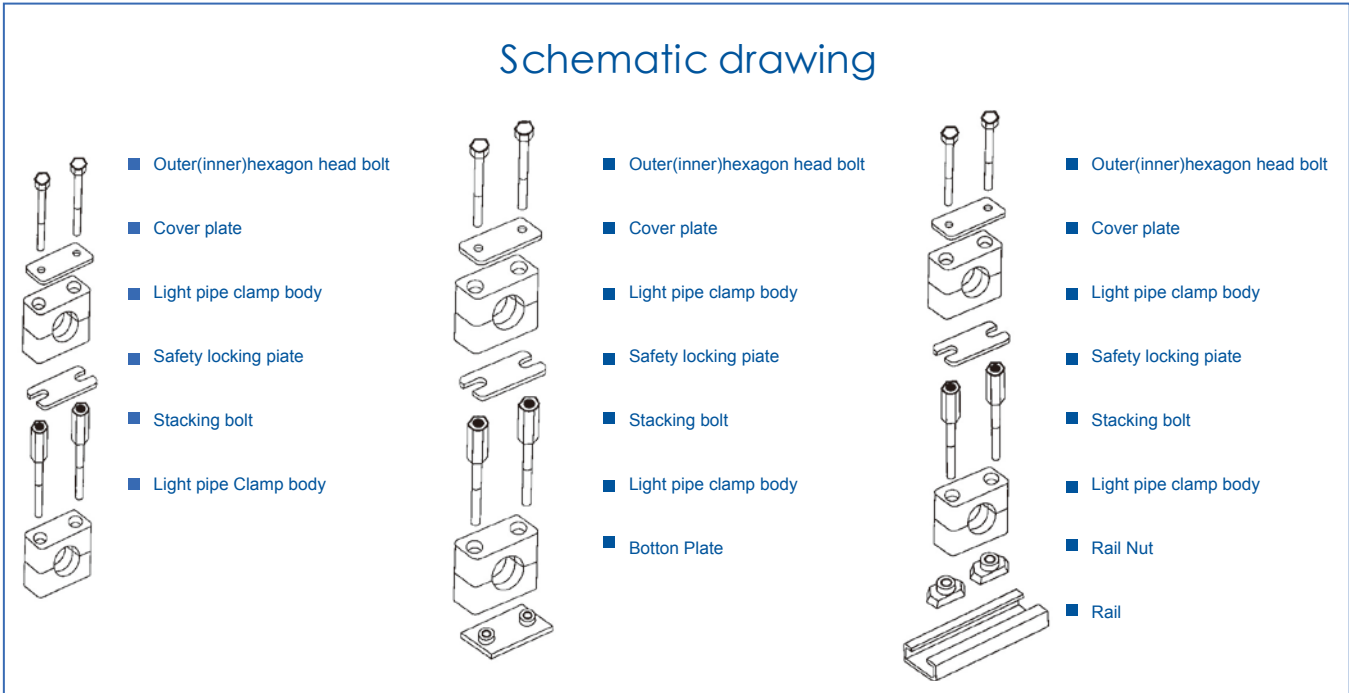
1. EMT-LPG\*\_Engineering polypropylene grooved inside light pipe clamps work temperature-30~+90 °C
2. EMT-LPS\*\_Engineering polypropylene smooth inside light pipe clamps work temperature-30~+90 °C
3. EMT-LNG\*\_Reinforced polyamide grooved inside light pipe clamps work temperature-40~+120 °C
4. EMT-LNS\*\_Reinforced polyamide smooth inside light pipe clamps work temperature-40~+120 °C
5. EMT-LLG\*\_Aluminum alloy grooved inside light pipe clamps work temperature-50~+300 °C
6. EMT-LGG\*\_Steel grooved inside light pipe clamps work temperature-80~+500 °C
7. EMT-LBG\*\_Stainless steel grooved inside light pipe clamps work temperature-80~+500 °C

**Note:** Standard material of cover plates, welded base plates, rails, rail nuts, and bolts is carbon steel. Other materials are available upon customer' s request which needs to be expressed by ordering.

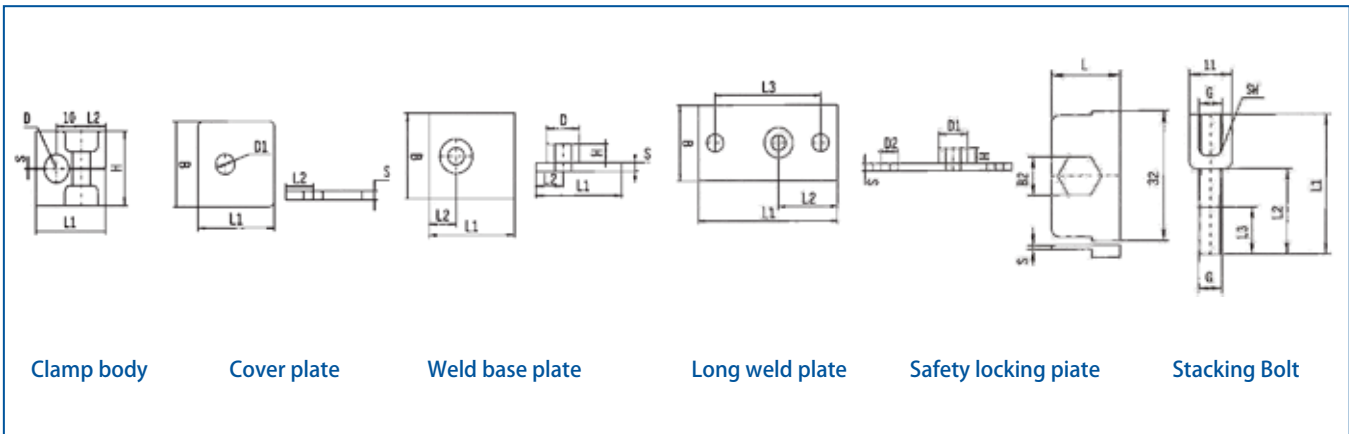


Note.acc to national standard:JB/ZQ4008-97

**Light Combination Series**

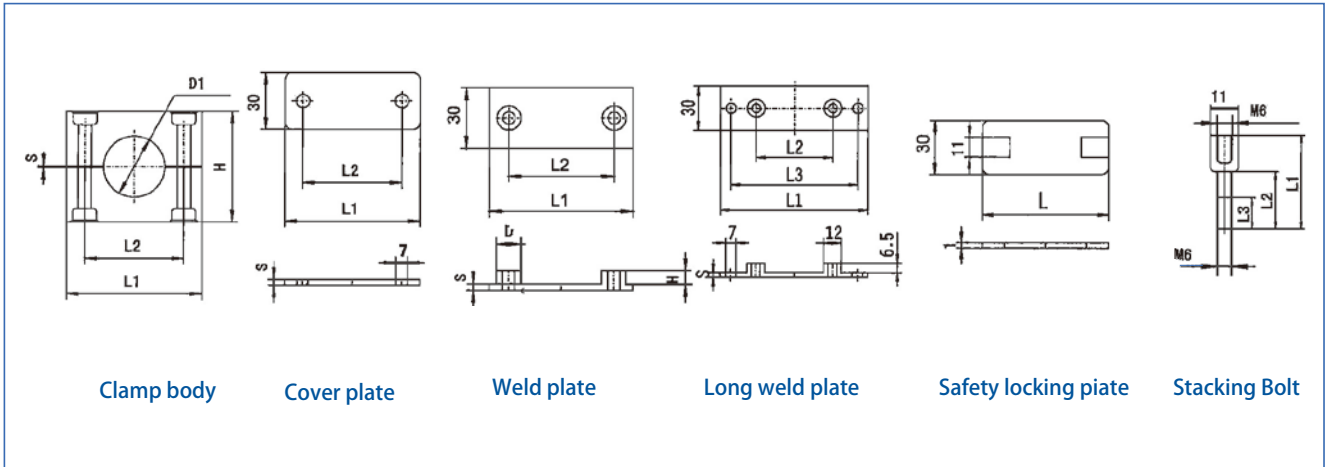


**LO Single Boit Clamps Series**



Series	D	Inch bore	Inch O.D	Cover plate					Clamp body					Weld base plate					Long Weld plate					Safety locking plate					Stacking Bolt					Bolt					
				L1	L2	B	D	S	L1	L2	H	D	S	Width	L1	L2	H	D	S	B	L1	L2	L3	B	S	H	D1	D2	L	B1	B2	S	G		L1	L2	L3	SW	
LO	6																																						
	6.4		1/4																																				
	8		5/16	28	9.5	30	7	3	28	9.5	27	Ø8	0.4	30	31	10	6.5	12	28	3	58	24.5	44	30	2.8	6.5	12	6.5	17	32	11	1	M6	34	20	12	11	M6X*20	
	9.5		3/8									Ø9.5																											
	10	1/8										Ø10																											
	12											Ø12																											

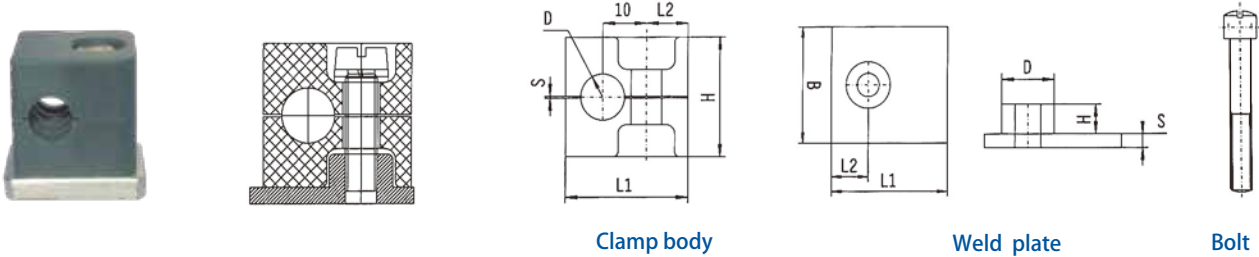
**LI-L8Series With Double Bolts Clamps**



Series	D1Pipe O.D	Inch bore	Inch O.D	Cover plate			Clamp body					Weld plate					Long Weld plate				Safety locking plate	Stacking Bolt		
				L1	L2	S	L1	L2	H	S	Width	L1	L2	S	H	D	L1	L2	L3	S	L	L1	L2	L3
L1	6			37	20	3	37	27	27	0.4	30	37	20	3	6.5	12	64	20	50	3	34	34	20	12
	6.4		1/4																					
	8		5/16																					
	9.5		3/8																					
	10	1/8																						
12																								
L2	12.7		1/2	42	26	3	42	27	33	0.6	30	42	26	3	6.5	12	70	26	56	3	40	40	25	12
	13.5	1/4																						
	14																							
	15																							
	16		5/8																					
17.2	3/8																							
18																								
L3	19		3/4	50	33	3	50	33	36	0.6	30	50	33	3	6.5	12	78	33	64	3	47	44	30	12
	20																							
	21.3	1/2																						
	22		7/8																					
	25		1																					
L4	26.9	3/4		59	40	3	39	40	42	0.6	30	68	40	3	6.5	12	87	40	73	3	56	48	35	12
	28																							
	30																							
L5	32		1 1/4	71	52	3	71	52	58	0.8	30	71	52	3	6.5	12	100	52	86	3	69	64	20	12
	33.7	1																						
	35																							
	38		1 1/2																					
	40																							
42	1 1/4																							
L6	44.5		1 3/4	86	66	3	86	66	66	0.8	30	88	66	3	6.5	12	115	66	100	3	85	73	60	12
	48.3	1 1/2																						
	50.8		2																					
L7	57.2		2 1/4	121	94	5	121	94	93	0.8	30	122	94	5	6.5	12	150	94	136	5	117	99	85	12
	60.3	2																						
	63.8		2 1/2																					
	70		2 3/4																					
	73																							
76.1	2 1/2	3																						
L8	88.9	3		147	120	5	147	120	118	0.8	30	148	120	5	6.5	12	178	120	162	5	143	124	110	12
	102		4																					

**EMTL\*G1 Light Pipe Clamps**

Grooved Bolt+Clamp body+Weld base plate

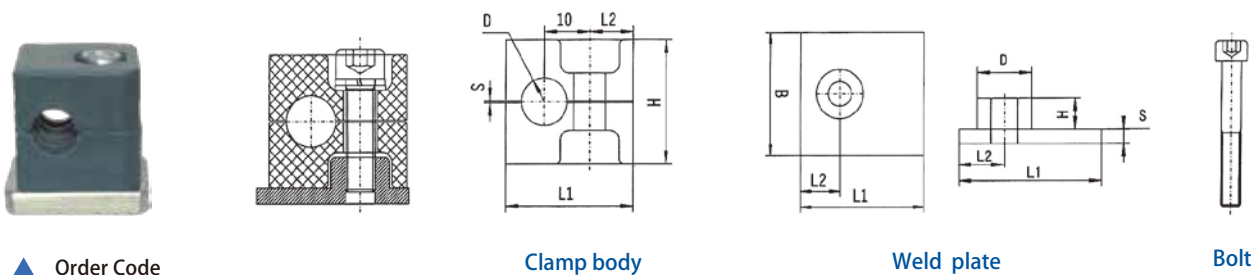


- ▲ Order Code**  
 1. Light series, polypropylene,inside grooved=EMTLPG1    2. Light series, polypropylene,inside smooth= EMTLPS1  
 3. Light series, Polyamide,inside grooved= EMTLNG1    4. Light series, Polyamide, inside smooth= EMTLNS1

Series	Order Code	D	Inch bore	Inch O.D	Clamp body					Weld plate						Bolt	
					L1	L2	H	D	S	Width	L1	L2	H	D	S		B
LO	EMTL*G1—006	6			28	9.5	27	Ø6	0.4	30	31	10	6.5	12	28	3	M6*20
	EMTL*G1—006.4	6.4		1/4				Ø6.4									
	EMTL*G1—008	8		5/16				Ø8									
	EMTL*G1—009.5	9.5		3/8				Ø9.5									
	EMTL*G1—010	10	1/8					Ø10									
	EMTL*G1—012	12						Ø12									

**EMTL\*G2 Light Pipe Clamps**

Inner hexagon head bolt+Clamp body+Welded base plate



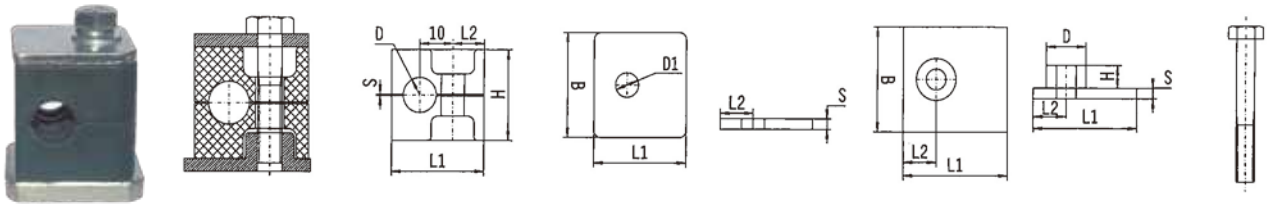
- ▲ Order Code**  
 1. Light series, polypropylene,inside grooved=EMTLPG2    2. Light series, polypropylene,inside smooth= EMTLPS2  
 3. Light series, Polyamide,inside grooved= EMTLNG2    4. Light series, Polyamide, inside smooth= EMTLNS2

Series	Order Code	D	Inch bore	Inch O.D	Clamp body					Weld plate						Bolt	
					L1	L2	H	D	S	Width	L1	L2	H	D	S		B
LO	EMTL*G2—006	6			28	9.5	27	Ø6	0.4	30	31	10	6.5	12	3	30	M6*20
	EMTL*G2—006.4	6.4		1/4				Ø6.4									
	EMTL*G2—008	8		5/16				Ø8									
	EMTL*G2—009.5	9.5		3/8				Ø9.5									
	EMTL*G2—010	10	1/8					Ø10									
	EMTL*G2—012	12						Ø12									

Other form or requirements needs to be expressed by ordering.

## EMTL\*G3 Light Pipe Clamps

### Grooved Bolt+Clamp body+Weld base plate

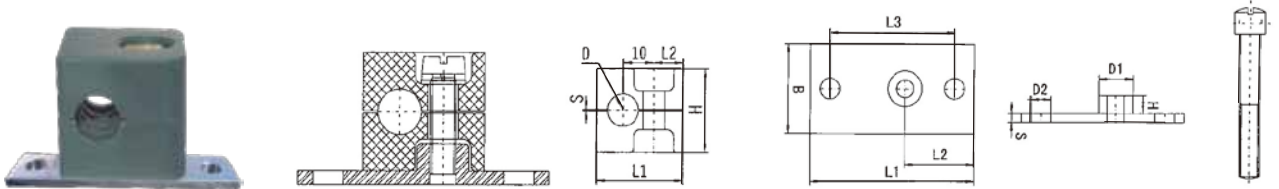


- ▲ Order Code
- |  |  |
|--|--|
| 1. Light series, polypropylene, inside grooved=EMTLPG3 | 2. Light series, polypropylene, inside smooth= EMTLPS3 |
| 3. Light series, Polyamide, inside grooved= EMTLNG3    | 4. Light series, Polyamide, inside smooth= EMTLNS3     |

Series	Order Code	D	Inch bore	Inch O.D	Clamp body					Cover plate					Weld plate					Bolt				
					L1	L2	H	D	S	Width	L1	L2	B	D	S	L1	L2	H	D		S	B		
LO	EMTL*G3—006	6						Ø6																
	EMTL*G3—006.4	6.4		1/4				Ø6.4																
	EMTL*G3—008	8		5/16				Ø8																
	EMTL*G3—009.5	9.5		3/8		28	9.5	27	Ø9.5	0.4	30	28	9.5	30	7	3	31	10	6.5	12	3	30	M6*30	
	EMTL*G3—010	10	1/8					Ø10																
	EMTL*G3—012	12							Ø12															

## EMTL\*G4 Light Pipe Clamps

### Inner hexagon head bolt+Clamp body+Long weld plate



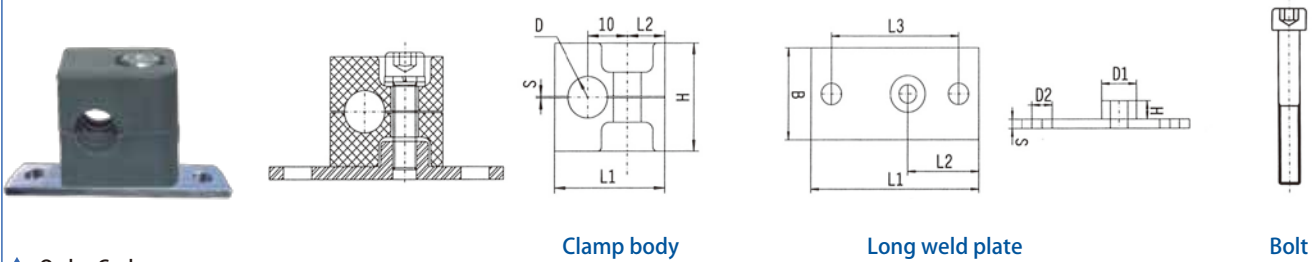
- ▲ Order Code
- |  |  |
|--|--|
| 1. Light series, polypropylene, inside grooved=EMTLPG4 | 2. Light series, polypropylene, inside smooth= EMTLPS4 |
| 3. Light series, Polyamide, inside grooved= EMTLNG4    | 4. Light series, Polyamide, inside smooth= EMTLNS4     |

Series	Order Code	D	Inch bore	Inch O.D	Clamp body					Long weld plate								Bolt						
					L1	L2	H	D	S	Width	L1	L2	L3	B	S	H	D1		D2					
LO	EMTL*G4—006	6						Ø6																
	EMTL*G4—006.4	6.4		1/4				Ø6.4																
	EMTL*G4—008	8		5/16				Ø8																
	EMTL*G4—009.5	9.5	1/8	3/8		28	9.5	27	Ø9.5	0.4	30	58	24.5	44	30	3	6.5	12	6.5				M6*20	
	EMTL*G4—010	10							Ø10															
	EMTL*G4—012	12							Ø12															

Note.acc to national standard:JB/ZQ4008-97

**EMTL\*G5 Light Pipe Clamps**

Grooved Bolt+Clamp body+Long weld plate



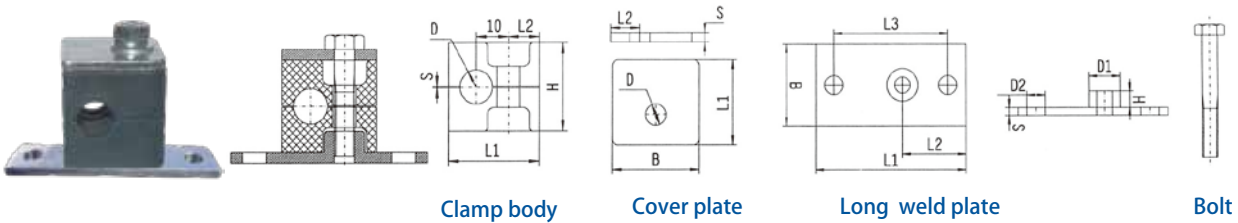
**▲ Order Code**

- 1. Light series, polypropylene,inside grooved=EMTLPG5
- 2. Light series, polypropylene,inside smooth= EMTLP55
- 3. Light series, Polyamide,inside grooved= EMTLNG5
- 4. Light series, Polyamide, inside smooth= EMTLNS5

Series	Order Code	D	Inch bore	Inch O.D	Clamp body					Long weld plate							Bolt		
					L1	L2	H	D	S	Width	L1	L2	L3	B	S	H		D1	D2
LO	EMTL*G5—006	6			28	9.5	27	Ø6	0.4	30	58	24.5	44	30	3	6.5	12	6.5	M6*20
	EMTL*G5—006.4	6.4	1/4	Ø6.4															
	EMTL*G5—008	8	5/16	Ø8															
	EMTL*G5—009.5	9.5	3/8	Ø9.5															
	EMTL*G5—010	10	1/8	Ø10															
	EMTL*G5—012	12		Ø12															

**EMTL\*G6 Light Pipe Clamps**

Inner hexagon head bolt+Clamp body+Long weld plate



**▲ Order Code**

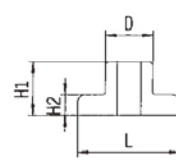
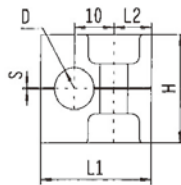
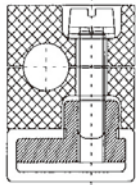
- 1. Light series, polypropylene,inside grooved=EMTLPG6
- 2. Light series, polypropylene,inside smooth= EMTLP56
- 3. Light series, Polyamide,inside grooved= EMTLNG6
- 4. Light series, Polyamide, inside smooth= EMTLNS6

Series	Order Code	D	Inch bore	Inch O.D	Clamp body					Cover plate					Long weld plate							Bolt		
					L1	L2	H	D	S	Width	L1	L2	B	D	S	L1	L2	L3	B	S	H		D1	D2
LO	EMTL*G6—006	6			28	9.5	27	Ø6	0.4	30	28	9.5	30	7	3	58	24.5	44	30	3	6.5	12	6.5	M6*20
	EMTL*G6—006.4	6.4	1/4	Ø6.4																				
	EMTL*G6—008	8	5/16	Ø8																				
	EMTL*G6—009.5	9.5	3/8	Ø9.5																				
	EMTL*G6—010	10	1/8	Ø10																				
	EMTL*G6—012	12		Ø12																				

Other form or requirements needs to be expressed by ordering.

## EMTL\*G7 Light Pipe Clamps

### Grooved Bolt+Clamp body+Rail nut



Clamp body

Rail nut

Bolt

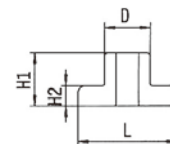
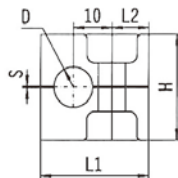
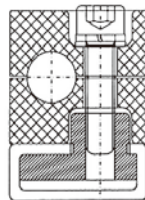
**▲ Order Code**

- 1. Light series, polypropylene,inside grooved=EMTLPG7
- 2. Light series, polypropylene,inside smooth= EMTLPS7
- 3. Light series, Polyamide,inside grooved= EMTLNG7
- 4. Light series, Polyamide, inside smooth= EMTLNS7

Series	Order Code	D	Inch bore	Inch O.D	Clamp body					Rail nut					Bolt	
					L1	L2	H	D	S	Width	L	B	H1	H2		D
LO	EMTL*G7—006	6			28	9.5	27	Ø6	0.4	30	25	10	13	5	12	M6*20
	EMTL*G7—006.4	6.4	1/4	Ø6.4												
	EMTL*G7—008	8	5/16	Ø8												
	EMTL*G7—009.5	9.5	3/8	Ø9.5												
	EMTL*G7—010	10	1/8	Ø10												
	EMTL*G7—012	12		Ø12												

## EMTL\*G8 Light Pipe Clamps

### Inner hexagon head bolt+Clamp body+Rail nut



Clamp body

Rail nut

Bolt

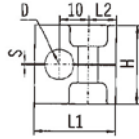
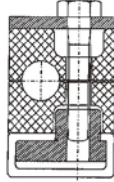
**▲ Order Code**

- 1. Light series, polypropylene,inside grooved=EMTLPG8
- 2. Light series, polypropylene,inside smooth= EMTLPS8
- 3. Light series, Polyamide,inside grooved= EMTLNG8
- 4. Light series, Polyamide, inside smooth= EMTLNS8

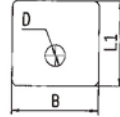
Series	Order Code	D	Inch bore	Inch O.D	Clamp body					Rail nut					Bolt	
					L1	L2	H	D	S	Width	L	B	H1	H2		D
LO	EMTL*G8—006	6			28	9.5	27	Ø6	0.4	30	25	10	13	5	12	M6*20
	EMTL*G8—006.4	6.4	1/4	Ø6.4												
	EMTL*G8—008	8	5/16	Ø8												
	EMTL*G8—009.5	9.5	3/8	Ø9.5												
	EMTL*G8—010	10	1/8	Ø10												
	EMTL*G8—012	12		Ø12												

**EMTL\*G9Light Pipe Clamps**

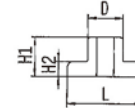
Outer hexagon head bolt+Cover plate+Clamp body+Rail nut



Clamp body



Cover plate



Rail nut



Bolt

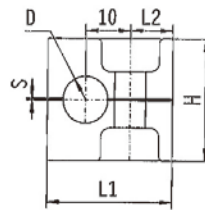
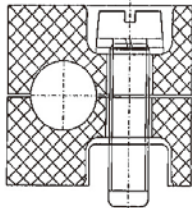
**▲ Order Code**

- 1. Light series, polypropylene,inside grooved=EMTLPG9
- 2. Light series, polypropylene,inside smooth= EMTLPS9
- 3. Light series, Polyamide,inside grooved= EMTLNG9
- 4. Light series, Polyamide, inside smooth= EMTLNS9

Series	Order Code	D	Inch bore	Inch O.D	Clamp body					Cover plate					Rail nut					Bolt	
					L1	L2	H	D	S	Width	L1	L2	B	D	S	L	B	H1	H2		D
LO	EMTL*G9—006	6			28	9.5	27	∅6	0.4	30	28	9.8	30	7	3	25	10	13	5	12	M6*20
	EMTL*G9—006.4	6.4	1/4	∅6.4																	
	EMTL*G9—008	8	5/16	∅8																	
	EMTL*G9—009.5	9.5	3/8	∅9.5																	
	EMTL*G9—010	10	1/8	∅10																	
	EMTL*G9—012	12		∅12																	

**EMTL\*G10 Light Pipe Clamps**

Grooved Bolt+Clamp body



Clamp body



Bolt

**▲ Order Code**

- 1. Light series, polypropylene,inside grooved=EMTLPG9
- 2. Light series, polypropylene,inside smooth= EMTLPS10
- 3. Light series, Polyamide,inside grooved= EMTLNG9
- 4. Light series, Polyamide, inside smooth= EMTLNS10

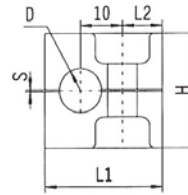
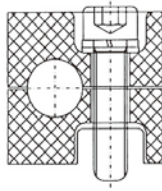
Series	Order Code	D	Inch bore	Inch O.D	Clamp body					Bolt	
					L1	L2	H	D	S		Width
LO	EMTL*G10—006	6			28	9.5	27	∅6	0.4	30	M6*20
	EMTL*G10—006.4	6.4	1/4	∅6.4							
	EMTL*G10—008	8	5/16	∅8							
	EMTL*G10—009.5	9.5	3/8	∅9.5							
	EMTL*G10—010	10	1/8	∅10							
	EMTL*G10—012	12		∅12							

Other form or requirements needs to be expressed by ordering.



## EMTL\*G11 Light Pipe Clamps

### Inner hexagon head bolt+Clamp body



Clamp body

Bolt

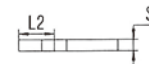
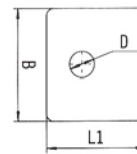
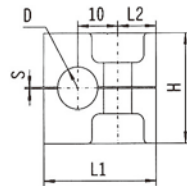
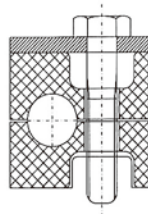
▲ Order Code

- 1. Light series, polypropylene, inside grooved=EMTLPG11
- 2. Light series, polypropylene, inside smooth= EMTLPS11
- 3. Light series, Polyamide, inside grooved= EMTLNG11
- 4. Light series, Polyamide, inside smooth= EMTLNS11

Series	Order Code	D	Inch bore	Inch O.D	Clamp body						Bolt
					L1	L2	H	D	S	Width	
LO	EMTL*G11—006	6			28	9.5	27	Ø6	0.4	30	M6*20
	EMTL*G11—006.4	6.4	1/4	Ø6.4							
	EMTL*G11—008	8	5/16	Ø8							
	EMTL*G11—009.5	9.5	3/8	Ø9.5							
	EMTL*G11—010	10	1/8	Ø10							
	EMTL*G11—012	12		Ø12							

## EMTL\*G12 Light Pipe Clamps

### Outer hexagon head bolt+Cover plate+Clamp body



Clamp body

Cover plate

Bolt

▲ Order Code

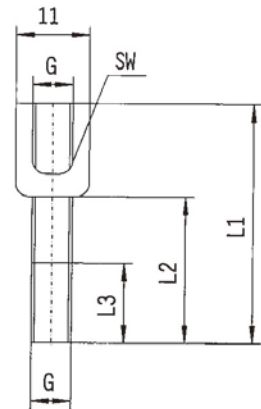
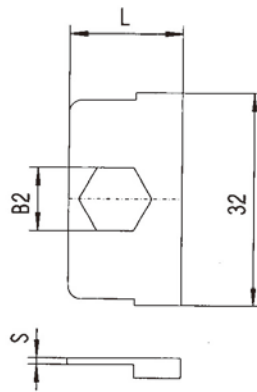
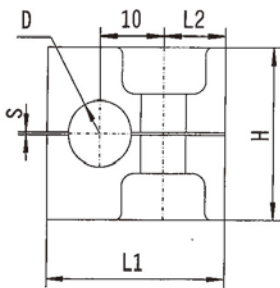
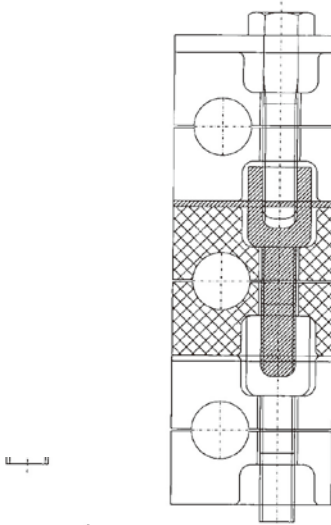
- 1. Light series, polypropylene, inside grooved=EMTLPG12
- 2. Light series, polypropylene, inside smooth= EMTLPS12
- 3. Light series, Polyamide, inside grooved= EMTLNG12
- 4. Light series, Polyamide, inside smooth= EMTLNS12

Series	Order Code	D	Inch bore	Inch O.D	Clamp body						Cover plate					Bolt
					L1	L2	H	D	S	Width	L1	L2	B	D	S	
LO	EMTL*G12—006	6			28	9.5	27	Ø6	0.4	30	28	9.5	30	7	3	M6*30
	EMTL*G12—006.4	6.4	1/4	Ø6.4												
	EMTL*G12—008	8	5/16	Ø8												
	EMTL*G12—009.5	9.5	3/8	Ø9.5												
	EMTL*G12—010	10	1/8	Ø10												
	EMTL*G12—012	12		Ø12												

Note.acc to national standard:JB/ZQ4008-97

**EMTL\*G13 Light Pipe Clamps**

Stacking Bolt+Safety locking plate+Clamp body



Clamp body

Safety locking plate

Stacking Bolt

▲ Order Code

- 1. Light series, polypropylene, inside grooved=EMTLPG13
- 2. Light series, polypropylene, inside smooth= EMTLPS13
- 3. Light series, Polyamide, inside grooved= EMTLNG13
- 4. Light series, Polyamide, inside smooth= EMTLNS13

Series	Order Code	D	Inch bore	Inch O.D	Clamp body						Safety locking plate				Stacking Bolt				
					L1	L2	H	D	S	Width	L	B1	B2	S	G	L1	L2	L3	SW
LO	EMTL*G13—006	6			28	9.5	27	Ø6	0.4	30	17	32	11	1	M6	34	20	12	11
	EMTL*G13—006.4	6.4	1/4	Ø6.4															
	EMTL*G13—008	8	5/16	Ø8															
	EMTL*G13—009.5	9.5	3/8	Ø9.5															
	EMTL*G13—010	10	1/8	Ø10															
	EMTL*G13—012	12		Ø12															

Other form or requirements needs to be expressed by ordering.

## EMTL\*G0 CombinedLight Pipe Clamps

### Other combinations of light pipe clamp

▲ Order Code

- |  |  |
|--|--|
| 1. Light series, polypropylene, inside grooved=EMTLPG0     | 2. Light series, polypropylene, inside smooth= EMTLPS0       |
| 3. Light series, Polyamide, inside grooved= EMTLNG0        | 4. Light series, Polyamide, inside smooth= EMTLNS0           |
| 5. Aluminum alloy grooved inside light pipe clamps=EMTLPG0 | 6. POM grooved inside light pipe clamps= EMTLPS0             |
| 7. Steel grooved inside light pipe clamps= EMTLNG0         | 8. Stainless steel grooved inside light pipe clamps= EMTLNS0 |

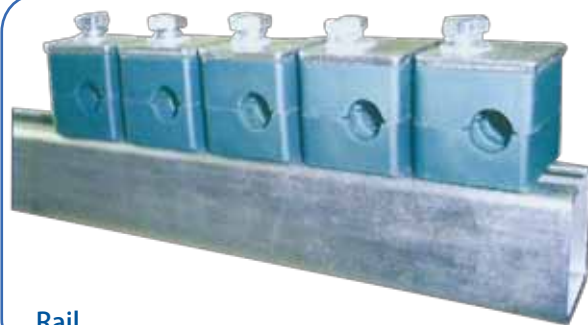
### Twin or long multi-layers



Rail



Twin or multiple



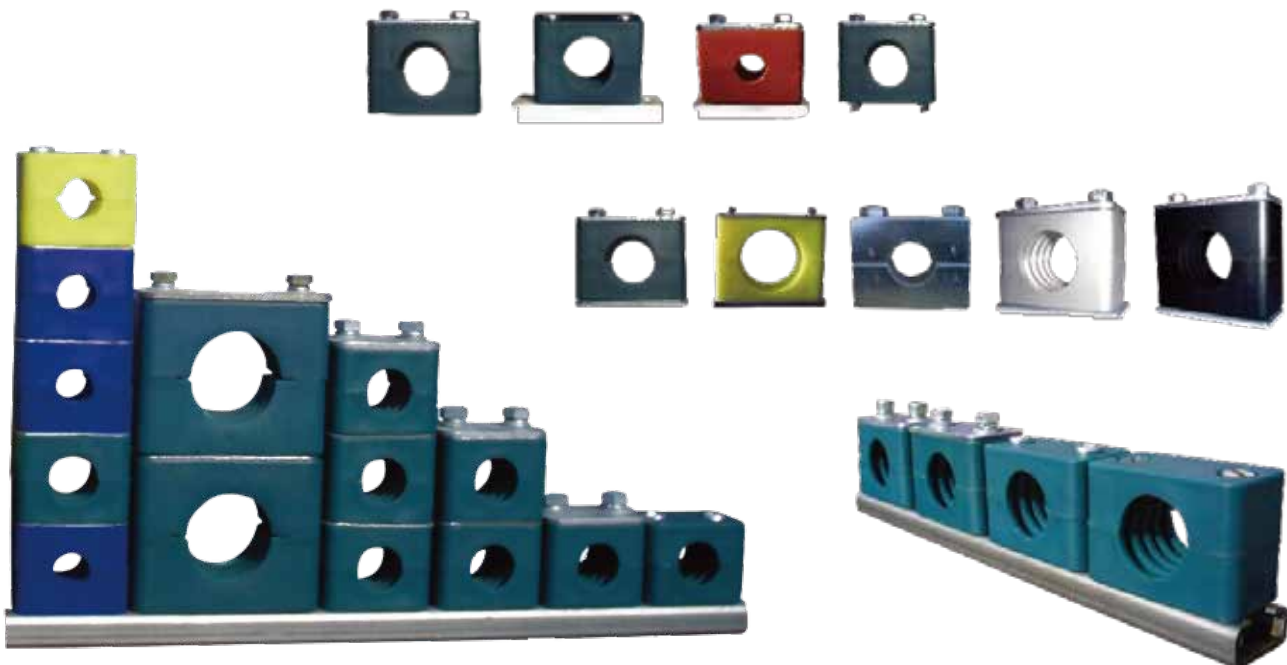
Rail

**L1-L8 series with double bolts**

**Light pipe clamps:** This type of products is applicable for fixed pipes having oil, water and gas as media of mechanical hydraulic systems in fields like metallurgy, petroleum, chemical industry, automobile, shipping, and electricity. Light series is applicable for fixing MP and LP pipes ( $PN \leq 8\text{MPa}$ ).

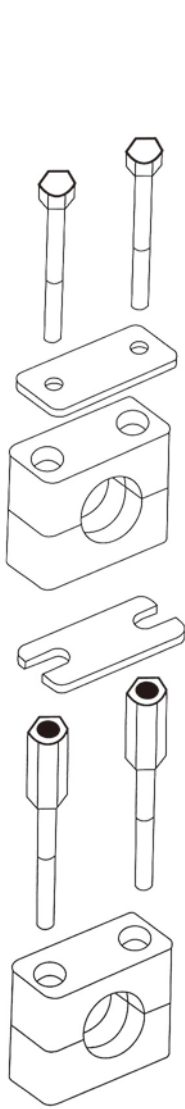
1. EMT-LPG\*\_Engineering polypropylene grooved inside light pipe clamps work temperature-30~+90°C
2. EMT-LPS\*\_Engineering polypropylene smooth inside light pipe clamps work temperature-30~+90°C
3. EMT-LNG\*\_Reinforced polyamide grooved inside light pipe clamps work temperature-40~+120°C
4. EMT-LNS\*\_Reinforced polyamide smooth inside light pipe clamps work temperature-40~+120°C
5. EMT-LLG\*\_Aluminum alloy grooved inside light pipe clamps work temperature-50~+120°C
6. EMT-LGG\*\_Steel grooved inside light pipe clamps work temperature-80~+500°C
7. EMT-LBG\*\_Stainless steel grooved inside light pipe clamps work temperature-80~+500°C

**Note:** 1. Standard material of cover plates, welded base plates, rails, rail nuts, and bolts is carbon steel. Other materials are available upon customer's request which needs to be expressed by ordering.

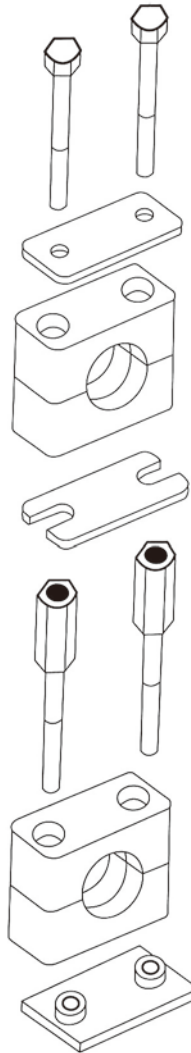


Other form or requirements needs to be expressed by ordering.

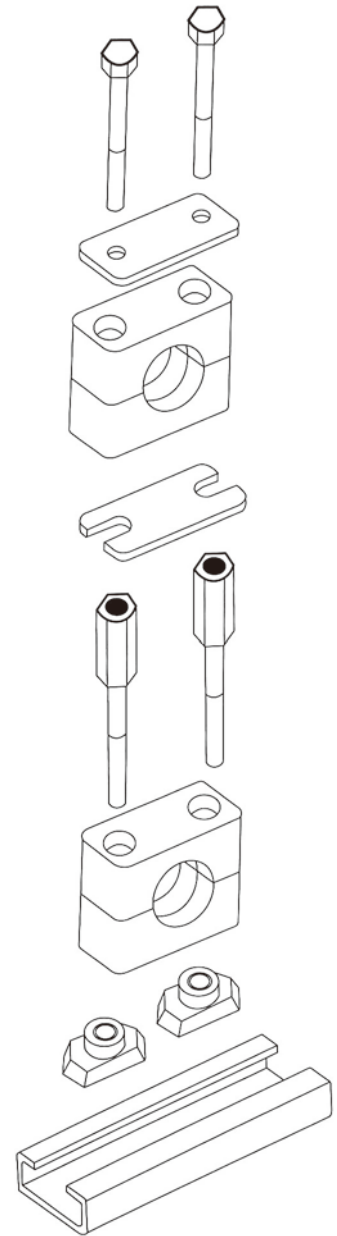
light Combination series



- Outer(inner)hexagon head bolt
- Cover plate
- Light pipe clamp body
- Safety locking plate
- Stacking bolt
- Light pipe Clamp body



- Outer(inner)hexagon head bolt
- Cover plate
- Light pipe clamp body
- Safety locking plate
- Stacking bolt
- Light pipe clamp body
- Botton Plate

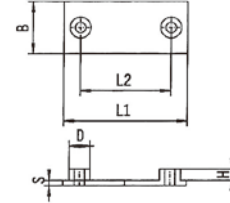
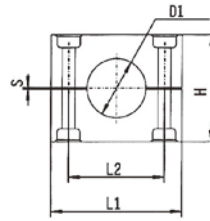
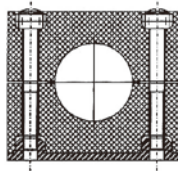


- Outer(inner)hexagon head bolt
- Cover plate
- Light pipe clamp body
- Safety locking plate
- Stacking bolt
- Light pipe clamp body
- Rail Nut
- Rail

Note.acc to national standard:JB/ZQ4008-97

**EMTL\*G1 Light Pipe Clamps**

Inner hexagon head bolt+Clamp body+Welded base plate



▲ Order Code

- 1. Light series, polypropylene, inside grooved=EMTLPG1
- 2. Light series, polypropylene, inside smooth= EMTLPS1
- 3. Light series, Polyamide, inside grooved= EMTLNG1
- 4. Light series, Polyamide, inside smooth= EMTLNS1

Clamp body

Weld plate

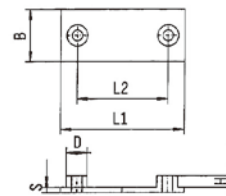
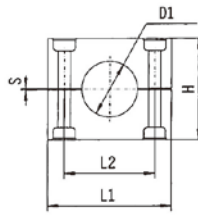
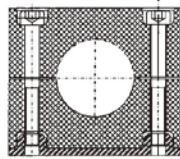
Bolt

Series	Ordercode	Pipe O.D	Inch bore	Inch O.D	Clamp body					Weld plate					bolt	
					L1	L2	H	S	Width	L1	L2	B	S	H		D
L1	EMTL*G1—106	6			37	20	27	0.4	30	37	20	30	3	6.5	12	M6*20
	EMTL*G1—106.4	6.4		1/4												
	EMTL*G1—108	8		5/16												
	EMTL*G1—109.5	9.5		3/8												
	EMTL*G1—110	10	1/8													
EMTL*G1—112	12															
L2	EMTL*G1—212.7	12.7		1/2	42	26	33	0.6	30	42	26	30	3	6.5	12	M6*25
	EMTL*G1—213.5	13.5	1/4													
	EMTL*G1—214	14														
	EMTL*G1—215	15														
	EMTL*G1—216	16		5/8												
	EMTL*G1—217.2	17.2	3/8													
EMTL*G1—218	18															
L3	EMTL*G1—319	19		3/4	50	33	36	0.6	30	50	33	30	3	6.5	12	M6*30
	EMTL*G1—320	20														
	EMTL*G1—321.3	21.3	1/2													
	EMTL*G1—322	22		7/8												
EMTL*G1—325	25		1													
L4	EMTL*G1—426.9	26.9		3/4	59	40	42	0.6	30	60	40	30	3	6.5	12	M6*35
	EMTL*G1—428	28														
	EMTL*G1—430	30														
L5	EMTL*G1—532	32		1 1/4	71	52	58	0.8	30	71	52	30	3	6.5	12	M6*50
	EMTL*G1—533.7	33.7	1													
	EMTL*G1—535	35														
	EMTL*G1—538	38		1 1/2												
	EMTL*G1—540	40														
EMTL*G1—542	42	1 1/4														
L6	EMTL*G1—644.5	44.5		1 3/4	86	66	66	0.8	30	88	66	30	3	6.5	12	M6*60
	EMTL*G1—648.3	48.3	1 1/2													
	EMTL*G1—650.8	50.8		2												
L8	EMTL*G1—757.2	57.2		2 1/4	121	94	93	0.8	30	122	94	30	5	6.5	12	M6*85
	EMTL*G1—760.3	60.3	2													
	EMTL*G1—763.5	65.3		2 1/2												
	EMTL*G1—770	70		2 3/4												
	EMTL*G1—773	73														
	EMTL*G1—776.1	76.1	2 1/2	3												
L9	EMTL*G1—888.9	88.9		3	147	120	118	0.8	30	148	120	30	5	6.5	12	M6*110
	EMTL*G1—8102	102		4												

Other form or requirements needs to be expressed by ordering.

## EMTL\*G2 Light Pipe Clamps

Inner hexagon head bolt+Clamp body+Weld plate



Clamp body

Weld plate

Bolt

▲ Order Code

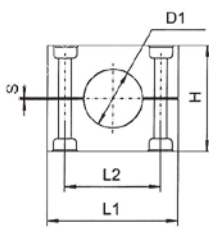
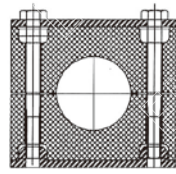
- 1. Light series, polypropylene,inside grooved=EMTLPG2
- 2. Light series, polypropylene,inside smooth=EMTLPS2
- 3. Light series, Polyamide,inside grooved= EMTLNG2
- 4. Light series, Polyamide, inside smooth= EMTLNS2

Series	Ordercode	D1Pipe O.D	Inch bore	Inch O.D	Clamp body					Weld plate						bolt
					L1	L2	H	S	Width	L1	L2	B	S	H	D	
L1	EMTL*G2—106	6			37	20	27	0.4	30	37	20	30	3	6.5	12	M6*20
	EMTL*G2—106.4	6.4		1/4												
	EMTL*G2—108	8		5/16												
	EMTL*G2—109.5	9.5		3/8												
	EMTL*G2—110	10	1/8													
EMTL*G2—112	12				42	26	33	0.6	30	42	26	30	3	6.5	12	M6*25
EMTL*G2—212.7	12.7		1/2													
EMTL*G2—213.5	13.5	1/4														
EMTL*G2—214	14															
EMTL*G2—215	15		5/8													
EMTL*G2—216	16															
EMTL*G2—217.2	17.2	3/8														
EMTL*G2—218	18				50	33	36	0.6	30	50	33	30	3	6.5	12	M6*30
EMTL*G2—319	19		3/4													
EMTL*G2—320	20															
EMTL*G2—321.3	21.3	1/2														
EMTL*G2—322	22		7/8													
EMTL*G2—325	25		1													
L4	EMTL*G2—426.9	26.9	3/4		59	40	42	0.6	30	60	40	30	3	6.5	12	M6*35
	EMTL*G2—428	28														
	EMTL*G2—430	30														
L5	EMTL*G2—532	32		1 1/4	71	52	58	0.8	30	71	52	30	3	6.5	12	M6*50
	EMTL*G2—533.7	33.7	1													
	EMTL*G2—535	35														
	EMTL*G2—538	38		1 1/2												
	EMTL*G2—540	40														
EMTL*G2—542	42	1 1/4			86	66	66	0.8	30	88	66	30	3	6.5	12	M6*60
EMTL*G2—644.5	44.5		1 3/4													
EMTL*G2—648.3	48.3	1 1/2														
EMTL*G2—650.8	50.8		2													
EMTL*G2—757.2	57.2		2 1/4													
EMTL*G2—760.3	60.3	2			121	94	93	0.8	30	122	94	30	5	6.5	12	M6*85
EMTL*G2—763.5	65.3		2 1/2													
EMTL*G2—770	70		2 3/4													
EMTL*G2—773	73															
EMTL*G2—776.1	76.1	2 1/2	3													
L8	EMTL*G2—888.9	88.9	3		147	120	118	0.8	30	148	120	30	5	6.5	12	M6*110
	EMTL*G2—8102	102		4												

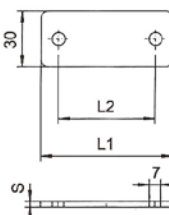
Note.acc to national standard:JB/ZQ4008-97

## EMTL\*G3 Light Pipe Clamps

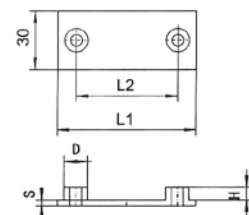
Outer hexagon head bolt+Clamp body+Weld base plate



Clamp body



Cover plate



Weld base plate



Bolt

**▲ Order Code**

1. Light series, polypropylene, inside grooved=EMTLPG3
2. Light series, polypropylene, inside smooth= EMTLPS3
3. Light series, Polyamide, inside grooved= EMTLNG3
4. Light series, Polyamide, inside smooth= EMTLNS3

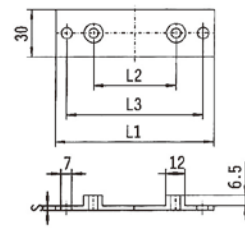
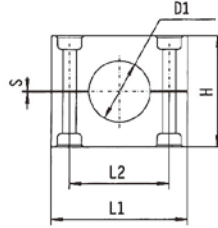
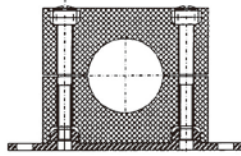
Series	Order code	DI Pipe O.D	Inch bore	Inch O.D	Clamp body					Cover plate			Weld base plate					bolt
					L1	L2	H	S	Width	L1	L2	S	L1	L2	S	H	D	
L1	EMTL*G3—106	6			37	20	27	0.4	30	37	20	3	37	20	3	6.5	12	M6*30
	EMTL*G3—106.4	6.4		1/4														
	EMTL*G3—108	8		5/16														
	EMTL*G3—109.5	9.5		3/8														
	EMTL*G3—110	10	1/8															
EMTL*G3—112	12																	
L2	EMTL*G3—212.7	12.7		1/2	42	26	33	0.6	30	42	26	3	42	26	3	6.5	12	M6*35
	EMTL*G3—213.5	13.5	1/4															
	EMTL*G3—214	14																
	EMTL*G3—215	15																
	EMTL*G3—216	16		5/8														
	EMTL*G3—217.2	17.2	3/8															
EMTL*G3—218	18																	
L3	EMTL*G3—319	19		3/4	50	33	36	0.6	30	50	33	3	50	33	3	6.5	12	M6*40
	EMTL*G3—320	20																
	EMTL*G3—321.3	21.3	1/2															
	EMTL*G3—322	22		7/8														
EMTL*G3—325	25		1															
L4	EMTL*G3—426.9	26.9	3/4		59	40	42	0.6	30	59	40	3	60	40	3	6.5	12	M6*45
	EMTL*G3—428	28																
	EMTL*G3—430	30																
L5	EMTL*G3—532	32		1 1/4	71	52	58	0.8	30	71	52	3	71	52	3	6.5	12	M6*60
	EMTL*G3—533.7	33.7	1															
	EMTL*G3—535	35																
	EMTL*G3—538	38		1 1/2														
	EMTL*G3—540	40																
EMTL*G3—542	42	1 1/4																
L6	EMTL*G3—644.5	44.5		1 3/4	86	66	66	0.8	30	88	66	3	86	66	3	6.5	12	M6*70
	EMTL*G3—648.3	48.3	1 1/2															
	EMTL*G3—650.8	50.8		2														
L7	EMTL*G3—757.2	57.2		2 1/4	121	94	93	0.8	30	121	94	5	122	94	5	6.5	12	M6*100
	EMTL*G3—760.3	60.3	2															
	EMTL*G3—763.5	65.3		2 1/2														
	EMTL*G3—770	70		2 3/4														
	EMTL*G3—773	73																
	EMTL*G3—776.1	76.1	2 1/2	3														
L8	EMTL*G3—888.9	88.9	3		147	120	118	0.8	30	147	120	5	148	120	5	6.5	12	M6*125
	EMTL*G3—8102	102		4														

Other form or requirements needs to be expressed by ordering.



## EMTL\*G4 Light Pipe Clamps

### Grooved Bolt+Clamp body+Long Weld plate



Clamp body

Long weld plate

Bolt

**▲ Order Code**

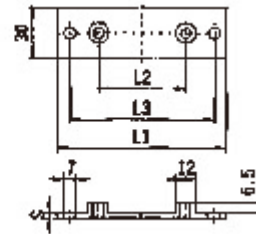
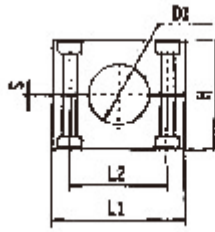
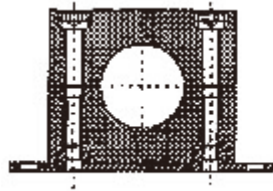
1. Light series, polypropylene, inside grooved=EMTLPG4
2. Light series, polypropylene, inside smooth= EMTLPS4
3. Light series, Polyamide, inside grooved= EMTLNG4
4. Light series, Polyamide, inside smooth= EMTLNS4

Series	Ordercode	D1Pipe O.D	Inch bore	Inch O.D	Clamp body					Long weld plate				bolt
					L1	L2	H	S	Width	L1	L2	L3	S	
L1	EMTL*G4-106	6			37	20	27	0.4	30	37	20	50	3	M6*20
	EMTL*G4-106.4	6.4		1/4										
	EMTL*G4-108	8		5/16										
	EMTL*G4-109.5	9.5		3/8										
	EMTL*G4-110	10	1/8											
EMTL*G4-112	12													
L2	EMTL*G4-212.7	12.7		1/2	42	26	33	0.6	30	42	26	56	3	M6*25
	EMTL*G4-213.5	13.5	1/4											
	EMTL*G4-214	14												
	EMTL*G4-215	15												
	EMTL*G4-216	16		5/8										
	EMTL*G4-217.2	17.2	3/8											
EMTL*G4-218	18													
L3	EMTL*G4-319	19		3/4	50	33	36	0.6	30	50	33	64	3	M6*30
	EMTL*G4-320	20												
	EMTL*G4-321.3	21.3	1/2											
	EMTL*G4-322	22		7/8										
EMTL*G4-325	25		1											
L4	EMTL*G4-426.9	26.9	3/4		59	40	42	0.6	30	60	40	73	3	M6*35
	EMTL*G4-428	28												
	EMTL*G4-430	30												
L5	EMTL*G4-532	32		1 1/4	71	52	58	0.8	30	71	52	86	3	M6*50
	EMTL*G4-533.7	33.7	1											
	EMTL*G4-535	35												
	EMTL*G4-538	38		1 1/2										
	EMTL*G4-540	40												
EMTL*G4-542	42	1 1/4												
L6	EMTL*G4-644.5	44.5		1 3/4	86	66	66	0.8	30	88	66	100	3	M6*60
	EMTL*G4-648.3	48.3	1 1/2											
	EMTL*G4-650.8	50.8		2										
L7	EMTL*G4-757.2	57.2		2 1/4	121	94	93	0.8	30	122	94	136	5	M6*85
	EMTL*G4-760.3	60.3	2											
	EMTL*G4-763.5	65.3		2 1/2										
	EMTL*G4-770	70		2 3/4										
	EMTL*G4-773	73												
	EMTL*G4-776.1	76.1	2 1/2	3										
L8	EMTL*G4-888.9	88.9	3		147	120	118	0.8	30	148	120	162	5	M6*110
	EMTL*G4-8102	102		4										

Note.acc to national standard:JB/ZQ4008-97

**EMTL\*G5 Light Pipe Clamps**

Inner hexagon head bolt+Clamp body+Long weld plate



▲ Order Code

Clamp body

Long weld plate

bolt

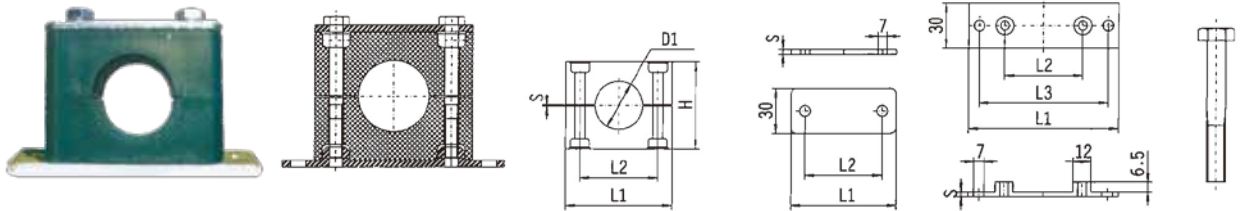
1. Light series, polypropylene,inside grooved=EMTLPG5 2. Light series, polypropylene,inside smooth= EMTLP55  
 3. Light series, Polyamide,inside grooved= EMTLNG5 4. Light series, Polyamide, inside smooth= EMTLNS5

Series	Order code	Pipe O.D	Inch bore	Inch O.D	Clamp body					Long weld plate				bolt
					L1	L2	H	S	Width	L1	L2	L3	S	
L1	EMTL*G5—106	6			37	20	27	0.4	30	64	20	50	3	M6*20
	EMTL*G5—106.4	6.4		1/4										
	EMTL*G5—108	8		5/16										
	EMTL*G5—109.5	9.5		3/8										
	EMTL*G5—110	10	1/8											
EMTL*G5—112	12													
L2	EMTL*G5—212.7	12.7		1/2	42	26	33	0.6	30	70	26	56	3	M6*25
	EMTL*G5—213.5	13.5	1/4											
	EMTL*G5—214	14												
	EMTL*G5—215	15												
	EMTL*G5—216	16		5/8										
	EMTL*G5—217.2	17.2	3/8											
EMTL*G5—218	18													
L3	EMTL*G5—319	19		3/4	50	33	36	0.6	30	78	33	64	3	M6*30
	EMTL*G5—320	20												
	EMTL*G5—321.3	21.3	1/2											
	EMTL*G5—322	22		7/8										
EMTL*G5—325	25		1											
L4	EMTL*G5—426.9	26.9	3/4		59	40	42	0.6	30	87	40	73	3	M6*35
	EMTL*G5—428	28												
	EMTL*G5—430	30												
L5	EMTL*G5—532	32		1 1/4	71	52	58	0.8	30	100	52	86	3	M6*50
	EMTL*G5—533.7	33.7	1											
	EMTL*G5—535	35												
	EMTL*G5—538	38		1 1/2										
	EMTL*G5—540	40												
EMTL*G5—542	42	1 1/4												
L6	EMTL*G5—644.5	44.5		1 3/4	88	66	66	0.8	30	115	66	100	3	M6*60
	EMTL*G5—648.3	48.3	1 1/2											
	EMTL*G5—650.8	50.8		2										
L7	EMTL*G5—757.2	57.2		2 1/4	121	94	93	0.8	30	150	94	136	3	M6*85
	EMTL*G5—760.3	60.3	2											
	EMTL*G5—763.5	65.3		2 1/2										
	EMTL*G5—770	70		2 3/4										
	EMTL*G5—773	73												
EMTL*G5—776.1	76.1	2 1/2	3											
L8	EMTL*G5—888.9	88.9	3		147	120	118	0.8	30	178	120	162	3	M6*110
	EMTL*G5—8102	102		4										

Other form or requirements needs to be expressed by ordering.

## EMTL\*G6 Light Pipe Clamps

Outer hexagon head bolt+Cover plate+Clamp body+Long weld plate



▲ Order Code

Clamp body

Cover plate

Long weld plate

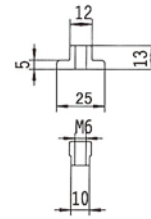
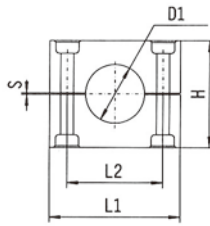
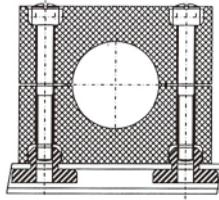
bolt

- 1. Light series, polypropylene,inside grooved=EMTLPG6
- 2. Light series, polypropylene,inside smooth= EMTLPS6
- 3. Light series, Polyamide,inside grooved= EMTLNG6
- 4. Light series, Polyamide, inside smooth= EMTLNS6

Series	Order code	Pipe O.D	Inch bore	Inch O.D	Clamp body					Cover plate			Long weld plate				bolt
					L1	L2	H	S	Width	L1	L2	S	L1	L2	L3	S	
L1	EMTL*G6—106	6			37	20	27	0.4	30	37	20	3	64	20	50	3	M6*30
	EMTL*G6—106.4	6.4		1/4													
	EMTL*G6—108	8		5/16													
	EMTL*G6—109.5	9.5		3/8													
	EMTL*G6—110	10	1/8														
	EMTL*G6—112	12															
L2	EMTL*G6—212.7	12.7		1/2	42	26	33	0.6	30	42	26	3	70	26	56	3	M6*35
	EMTL*G6—213.5	13.5	1/4														
	EMTL*G6—214	14															
	EMTL*G6—215	15															
	EMTL*G6—216	16		5/8													
	EMTL*G6—217.2	17.2	3/8														
	EMTL*G6—218	18															
L3	EMTL*G6—319	19		3/4	50	33	36	0.6	30	50	33	3	78	33	64	3	M6*40
	EMTL*G6—320	20															
	EMTL*G6—321.3	21.3	1/2														
	EMTL*G6—322	22		7/8													
	EMTL*G6—325	25		1													
L4	EMTL*G6—426.9	26.9	3/4		59	40	42	0.6	30	59	40	3	87	40	73	3	M6*45
	EMTL*G6—428	28															
	EMTL*G6—430	30															
L5	EMTL*G6—532	32		1 1/4	71	52	58	0.8	30	71	52	3	100	52	86	3	M6*60
	EMTL*G6—533.7	33.7	1														
	EMTL*G6—535	35															
	EMTL*G6—538	38		1 1/2													
	EMTL*G6—540	40															
	EMTL*G6—542	42	1 1/4														
L8	EMTL*G6—644.5	44.5		1 3/4	88	66	66	0.8	30	86	66	3	115	66	100	3	M6*70
	EMTL*G6—648.3	48.3	1 1/2														
	EMTL*G6—650.8	50.8		2													
L9	EMTL*G6—757.2	57.2		2 1/4	121	94	93	0.8	30	121	94	5	150	94	136	3	M6*100
	EMTL*G6—760.3	60.3	2														
	EMTL*G6—763.5	65.3		2 1/2													
	EMTL*G6—770	70		2 3/4													
	EMTL*G3—773	73															
	EMTL*G6—776.1	76.1	2 1/2	3													
L10	EMTL*G6—888.9	88.9	3		147	120	118	0.8	30	147	120	5	178	120	162	3	M6*125
	EMTL*G6—8102	102		4													

## EMTL\*G7 Light Pipe Clamps

### Grooved Bolt+Clamp body+Rail nut



▲ Order Code

Clamp body

Rail nut

Bolt

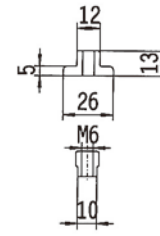
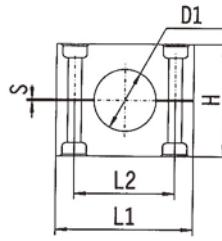
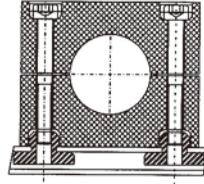
1. Light series, polypropylene, inside grooved=EMTLPG7
2. Light series, polypropylene, inside smooth= EMTLPS7
3. Light series, Polyamide, inside grooved= EMTLNG7
4. Light series, Polyamide, inside smooth= EMTLNS7

Series	Order code	Pipe O.D	Inch bore	Inch O.D	Clamp body					bolt
					L1	L2	H	S	Width	
L1	EMTL*G7—106	6			37	20	27	0.4	30	M6*20
	EMTL*G7—106.4	6.4		1/4						
	EMTL*G7—108	8		5/16						
	EMTL*G7—109.5	9.5		3/8						
	EMTL*G7—110	10	1/8							
	EMTL*G7—112	12								
L2	EMTL*G7—212.7	12.7		1/2	42	26	33	0.6	30	M6*25
	EMTL*G7—213.5	13.5	1/4							
	EMTL*G7—214	14								
	EMTL*G7—215	15								
	EMTL*G7—216	16		5/8						
	EMTL*G7—217.2	17.2	3/8							
	EMTL*G7—218	18								
L3	EMTL*G7—319	19		3/4	50	33	36	0.6	30	M6*30
	EMTL*G7—320	20								
	EMTL*G7—321.3	21.3	1/2							
	EMTL*G7—322	22		7/8						
	EMTL*G7—325	25		1						
L4	EMTL*G7—426.9	26.9	3/4		59	40	42	0.6	30	M6*35
	EMTL*G7—428	28								
	EMTL*G7—430	30								
L5	EMTL*G7—532	32		1 1/4	71	52	58	0.8	30	M6*50
	EMTL*G7—533.7	33.7	1							
	EMTL*G7—535	35								
	EMTL*G7—538	38		1 1/2						
	EMTL*G7—540	40								
	EMTL*G7—542	42	1 1/4							
L6	EMTL*G7—644.5	44.5		1 3/4	88	66	66	0.8	30	M6*60
	EMTL*G7—648.3	48.3	1 1/2							
	EMTL*G7—650.8	50.8		2						
L7	EMTL*G7—757.2	57.2		2 1/4	121	94	93	0.8	30	M6*85
	EMTL*G7—760.3	60.3	2							
	EMTL*G7—763.5	65.3		2 1/2						
	EMTL*G7—770	70		2 3/4						
	EMTL*G7—773	73								
	EMTL*G7—776.1	76.1	2 1/2	3						
L8	EMTL*G7—888.9	88.9	3		147	120	118	0.8	30	M6*110
	EMTL*G7—8102	102								

Other form or requirements needs to be expressed by ordering.

## EMTL\*G8 Light Pipe Clamps

Inner hexagon head bolt+Clamp body+Rail nut



Clamp body

Rail nut

Bolt

▲ Order Code

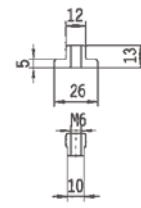
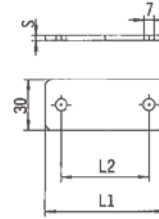
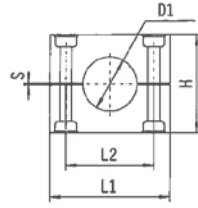
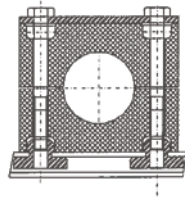
- 1. Light series, polypropylene, inside grooved=EMTLPG8
- 2. Light series, polypropylene, inside smooth= EMTLP58
- 3. Light series, Polyamide, inside grooved= EMTLNG8
- 4. Light series, Polyamide, inside smooth= EMTLNS8

Series	Order code	Pipe O.D	Inch bore	Inch O.D	Clamp body					bolt
					L1	L2	H	S	Width	
L1	EMTL*G8—106	6			37	20	27	0.4	30	M6*20
	EMTL*G8—106.4	6.4		1/4						
	EMTL*G8—108	8		5/16						
	EMTL*G8—109.5	9.5		3/8						
	EMTL*G8—110	10	1/8							
	EMTL*G8—112	12								
L2	EMTL*G8—212.7	12.7		1/2	42	26	33	0.6	30	M6*25
	EMTL*G8—213.5	13.5	1/4							
	EMTL*G8—214	14								
	EMTL*G8—215	15								
	EMTL*G8—216	16		5/8						
	EMTL*G8—217.2	17.2	3/8							
	EMTL*G8—218	18								
L3	EMTL*G8—319	19		3/4	50	33	36	0.6	30	M6*30
	EMTL*G8—320	20								
	EMTL*G8—321.3	21.3	1/2							
	EMTL*G8—322	22		7/8						
	EMTL*G8—325	25		1						
L4	EMTL*G8—426.9	26.9	3/4		59	40	42	0.6	30	M6*35
	EMTL*G8—428	28								
	EMTL*G8—430	30								
L5	EMTL*G8—532	32		1 1/4	71	52	58	0.8	30	M6*50
	EMTL*G8—533.7	33.7	1							
	EMTL*G8—535	35								
	EMTL*G8—538	38		1 1/2						
	EMTL*G8—540	40								
	EMTL*G8—542	42	1 1/4							
L6	EMTL*G8—644.5	44.5		1 3/4	86	66	66	0.8	30	M6*60
	EMTL*G8—648.3	48.3	1 1/2							
	EMTL*G8—650.8	50.8		2						
L7	EMTL*G6—757.2	57.2		2 1/4	121	94	93	0.8	30	M6*85
	EMTL*G8—760.3	60.3	2							
	EMTL*G8—763.5	65.3		2 1/2						
	EMTL*G8—770	70		2 3/4						
	EMTL*G8—773	73								
	EMTL*G8—776.1	76.1	2 1/2	3						
L8	EMTL*G8—888.9	88.9	3		147	120	118	0.8	30	M6*110
	EMTL*G8—8102	102		4						

Note.acc to national standard:JB/ZQ4008-97

**EMTL\*G9 Light Pipe Clamps**

Outer hexagon head bolt+Cover plate+Clamp body+Rail nut



▲ Order Code

Clamp body

Cover plate

Rail

Bolt

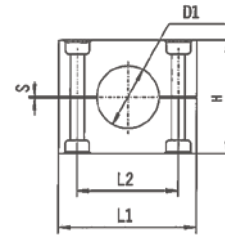
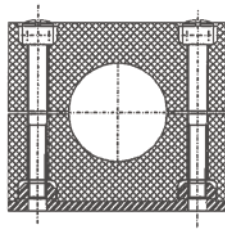
- 1. Light series, polypropylene, inside grooved=EMTLPG9
- 2. Light series, polypropylene, inside smooth= EMTLPS9
- 3. Light series, Polyamide, inside grooved= EMTLNG9
- 4. Light series, Polyamide, inside smooth= EMTLNS9

Series	Order code	Pipe O.D	Inch bore	Inch O.D	Clamp body					Cover plate			bolt
					L1	L2	H	S	Width	L1	L2	S	
L1	EMTL*G9—106	6			37	20	27	0.4	30	37	20	3	M6*30
	EMTL*G9—106.4	6.4		1/4									
	EMTL*G9—108	8		5/16									
	EMTL*G9—109.5	9.5		3/8									
	EMTL*G9—110	10	1/8										
EMTL*G9—112	12												
L2	EMTL*G9—212.7	12.7		1/2	42	26	33	0.6	30	42	26	3	M6*35
	EMTL*G9—213.5	13.5	1/4										
	EMTL*G9—214	14											
	EMTL*G9—215	15											
	EMTL*G9—216	16		5/8									
	EMTL*G9—217.2	17.2	3/8										
EMTL*G9—218	18												
L3	EMTL*G9—319	19		3/4	50	33	36	0.6	30	50	33	3	M6*40
	EMTL*G9—320	20											
	EMTL*G9—321.3	21.3	1/2										
	EMTL*G9—322	22		7/8									
	EMTL*G9—325	25		1									
L4	EMTL*G9—426.9	26.9	3/4		59	40	42	0.6	30	59	40	3	M6*45
	EMTL*G9—428	28											
	EMTL*G9—430	30											
L5	EMTL*G9—532	32		1 1/4	71	52	58	0.8	30	71	52	3	M6*60
	EMTL*G9—533.7	33.7	1										
	EMTL*G9—535	35											
	EMTL*G9—538	38		1 1/2									
	EMTL*G9—540	40											
	EMTL*G9—542	42	1 1/4										
L6	EMTL*G9—644.5	44.5		1 3/4	88	66	66	0.8	30	86	66	3	M6*70
	EMTL*G9—648.3	48.3	1 1/2										
	EMTL*G9—650.8	50.8		2									
L7	EMTL*G9—757.2	57.2		2 1/4	121	94	93	0.8	30	121	94	5	M6*100
	EMTL*G9—760.3	60.3	2										
	EMTL*G9—763.5	65.3		2 1/2									
	EMTL*G9—770	70		2 3/4									
	EMTL*G9—773	73											
	EMTL*G9—776.1	76.1	2 1/2	3									
L8	EMTL*G9—888.9	88.9	3		147	120	118	0.8	30	147	120	5	M6*125
	EMTL*G9—8102	102	4										

Other form or requirements needs to be expressed by ordering.

## EMTL\*G10 Light Pipe Clamps

### Grooved Bolt+Clamp body



**▲ Order Code**

- 1. Light series, polypropylene,inside grooved=EMTLPG10
- 2. Light series, polypropylene,inside smooth= EMTLPS10
- 3. Light series, Polyamide,inside grooved= EMTLNG10
- 4. Light series, Polyamide, inside smooth= EMTLNS10

**Cover plate**

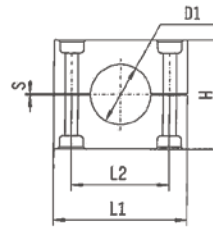
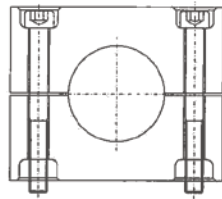
**Bolt**

Series	Order code	Pipe O.D	Inch bore	Inch O.D	Clamp body					bolt
					L1	L2	H	S	Width	
L1	EMTL*G10—106	6			37	20	27	0.4	30	M6*20
	EMTL*G10—106.4	6.4		1/4						
	EMTL*G10—108	8		5/16						
	EMTL*G10—109.5	9.5		3/8						
	EMTL*G10—110	10	1/8							
EMTL*G10—112	12									
L2	EMTL*G10—212.7	12.7		1/2	42	26	33	0.6	30	M6*25
	EMTL*G10—213.5	13.5	1/4							
	EMTL*G10—214	14								
	EMTL*G10—215	15								
	EMTL*G10—216	16		5/8						
	EMTL*G10—217.2	17.2	3/8							
EMTL*G10—218	18									
L3	EMTL*G10—319	19		3/4	50	33	36	0.6	30	M6*30
	EMTL*G10—320	20								
	EMTL*G10—321.3	21.3	1/2							
	EMTL*G10—322	22		7/8						
	EMTL*G10—325	25		1						
L4	EMTL*G10—426.9	26.9	3/4		59	40	42	0.6	30	M6*35
	EMTL*G10—428	28								
	EMTL*G10—430	30								
L5	EMTL*G10—532	32		1 1/4	71	52	58	0.8	30	M6*50
	EMTL*G10—533.7	33.7	1							
	EMTL*G10—535	35								
	EMTL*G10—538	38		1 1/2						
	EMTL*G10—540	40								
EMTL*G10—542	42	1 1/4								
L6	EMTL*G10—644.5	44.5		1 3/4	88	66	66	0.8	30	M6*60
	EMTL*G10—648.3	48.3	1 1/2							
	EMTL*G10—650.8	50.8		2						
L7	EMTL*G10—757.2	57.2		2 1/4	121	94	93	0.8	30	M6*85
	EMTL*G10—760.3	60.3	2							
	EMTL*G10—763.5	65.3		2 1/2						
	EMTL*G10—770	70		2 3/4						
	EMTL*G10—773	73								
	EMTL*G10—776.1	76.1	2 1/2	3						
L8	EMTL*G10—888.9	88.9	3		147	120	118	0.8	30	M6*110
	EMTL*G10—8102	102		4						

Note.acc to national standard:JB/ZQ4008-97

**EMTL\*G11Light Pipe Clamps**

**Inner hexagon head bolt+Clamp body**



**▲ Order Code**

- 1. Light series, polypropylene,inside grooved=EMTLPG11
- 2. Light series, polypropylene,inside smooth= EMTLPS11
- 3. Light series, Polyamide,inside grooved= EMTLNG11
- 4. Light series, Polyamide, inside smooth= EMTLNS11

**Clamp body**

**Bolt**

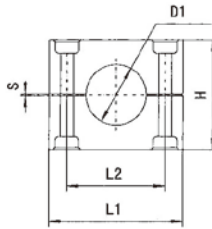
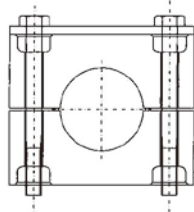
Series	Order code	Pipe O.D	Inch bore	Inch O.D	Clamp body					bolt
					L1	L2	H	S	Width	
L1	EMTL*G11—106	6			37	20	27	0.4	30	M6*20
	EMTL*G11—106.4	6.4		1/4						
	EMTL*G11—108	8		5/16						
	EMTL*G11—109.5	9.5		3/8						
	EMTL*G11—110	10	1/8							
EMTL*G11—112	12									
L2	EMTL*G11—212.7	12.7		1/2	42	26	33	0.6	30	M6*25
	EMTL*G11—213.5	13.5	1/4							
	EMTL*G11—214	14								
	EMTL*G11—215	15								
	EMTL*G11—216	16		5/8						
	EMTL*G11—217.2	17.2	3/8							
EMTL*G11—218	18									
L3	EMTL*G11—319	19		3/4	50	33	36	0.6	30	M6*30
	EMTL*G11—320	20								
	EMTL*G11—321.3	21.3	1/2							
	EMTL*G11—322	22		7/8						
	EMTL*G11—325	25		1						
L4	EMTL*G11—426.9	26.9	3/4		59	40	42	0.6	30	M6*35
	EMTL*G11—428	28								
	EMTL*G11—430	30								
L5	EMTL*G11—532	32		1 1/4	71	52	58	0.8	30	M6*50
	EMTL*G11—533.7	33.7	1							
	EMTL*G11—535	35								
	EMTL*G11—538	38		1 1/2						
	EMTL*G11—540	40								
EMTL*G11—542	42	1 1/4								
L6	EMTL*G11—644.5	44.5		1 3/4	88	66	66	0.8	30	M6*60
	EMTL*G11—648.3	48.3	1 1/2							
	EMTL*G11—650.8	50.8		2						
L7	EMTL*G11—757.2	57.2		2 1/4	121	94	93	0.8	30	M6*85
	EMTL*G11—760.3	60.3	2							
	EMTL*G11—763.5	65.3		2 1/2						
	EMTL*G11—770	70		2 3/4						
	EMTL*G11—773	73								
	EMTL*G11—776.1	76.1	2 1/2	3						
L8	EMTL*G11—888.9	88.9	3		147	120	118	0.8	30	M6*110
	EMTL*G11—8102	102		4						

Other form or requirements needs to be expressed by ordering.

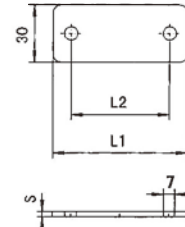


## EMTL\*G12 Light Pipe Clamps

### Outer hexagon head bolt+Cover plate+Clamp body



Clamp body



Cover plate



Bolt

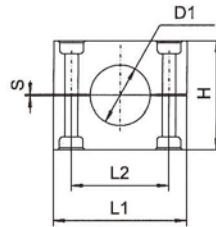
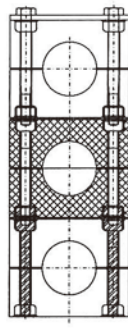
▲ Order Code

- 1. Light series, polypropylene,inside grooved=EMTLPG12
- 2. Light series, polypropylene,inside smooth= EMTLPS12
- 3. Light series, Polyamide,inside grooved= EMTLNG12
- 4. Light series, Polyamide, inside smooth= EMTLNS12

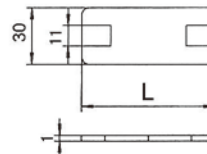
Series	Order code	Pipe O.D	Inch bore	Inch O.D	Clamp body					Cover plate			bolt
					L1	L2	H	S	Width	L1	L2	S	
L1	EMTL*G12—106	6			37	20	27	0.4	30	37	20	3	M6*30
	EMTL*G12—106.4	6.4	1/4										
	EMTL*G12—108	8	5/16										
	EMTL*G12—109.5	9.5	3/8										
	EMTL*G12—110	10	1/8										
EMTL*G12—112	12												
L2	EMTL*G12—212.7	12.7		1/2	42	26	33	0.6	30	42	26	3	M6*35
	EMTL*G12—213.5	13.5	1/4										
	EMTL*G12—214	14											
	EMTL*G12—215	15											
	EMTL*G12—216	16	5/8										
	EMTL*G12—217.2	17.2	3/8										
EMTL*G12—218	18												
L3	EMTL*G12—319	19		3/4	50	33	36	0.6	30	50	33	3	M6*40
	EMTL*G12—320	20											
	EMTL*G12—321.3	21.3	1/2										
	EMTL*G12—322	22	7/8										
	EMTL*G12—325	25	1										
L4	EMTL*G12—426.9	26.9	3/4		59	40	42	0.6	30	59	40	3	M6*45
	EMTL*G12—428	28											
	EMTL*G12—430	30											
L5	EMTL*G12—532	32		1 1/4	71	52	58	0.8	30	71	52	3	M6*60
	EMTL*G12—533.7	33.7	1										
	EMTL*G12—535	35											
	EMTL*G12—538	38	1 1/2										
	EMTL*G12—540	40											
	EMTL*G12—542	42	1 1/4										
L6	EMTL*G12—644.5	44.5		1 3/4	88	66	66	0.8	30	86	66	3	M6*70
	EMTL*G12—648.3	48.3	1 1/2										
	EMTL*G12—650.8	50.8	2										
L7	EMTL*G12—757.2	57.2		2 1/4	121	94	93	0.8	30	121	94	5	M6*100
	EMTL*G12—760.3	60.3	2										
	EMTL*G12—763.5	65.3	2 1/2										
	EMTL*G12—770	70	2 3/4										
	EMTL*G12—773	73											
	EMTL*G12—776.1	76.1	2 1/2	3									
L8	EMTL*G12—888.9	88.9	3		147	120	118	0.8	30	147	120	5	M6*125
	EMTL*G12—8102	102	4										

**EMTL\*G13 Light Pipe Clamps**

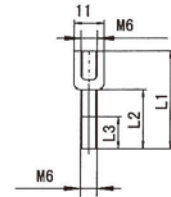
**Skacking Bolt+Clamp body+Long Weld plate**



**Clamp body**



**Safety locking Plate**



**Weld plate**

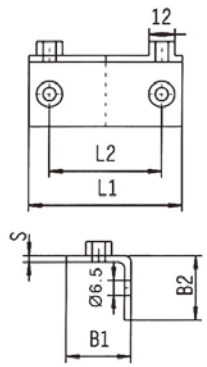
**▲ Order Code**

- 1. Light series, polypropylene,inside grooved=EMTLPG12
- 2. Light series, polypropylene,inside smooth= EMTLPS13
- 3. Light series, Polyamide,inside grooved= EMTLNG12
- 4. Light series, Polyamide, inside smooth= EMTLNS13

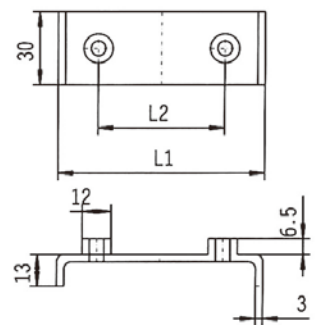
Series	Order code	Pipe O.D	Inch bore	Inch O.D	Clamp body				Safety locking Plate	Weld plate		
					L1	L2	H	S	L	L1	L2	L3
L1	EMTL*G13—106	6			37	20	27	0.4	34	34	20	12
	EMTL*G13—106.4	6.4		1/4								
	EMTL*G13—108	8		5/16								
	EMTL*G13—109.5	9.5		3/8								
	EMTL*G13—110	10	1/8									
	EMTL*G13—112	12										
L2	EMTL*G13—212.7	12.7		1/2	42	26	33	0.6	40	40	25	12
	EMTL*G13—213.5	13.5	1/4									
	EMTL*G13—214	14										
	EMTL*G13—215	15										
	EMTL*G13—216	16		5/8								
	EMTL*G13—217.2	17.2	3/8									
L3	EMTL*G13—218	18			50	33	36	0.6	47	44	30	12
	EMTL*G13—319	19		3/4								
	EMTL*G13—320	20										
	EMTL*G13—321.3	21.3	1/2									
	EMTL*G13—322	22		7/8								
L4	EMTL*G13—325	25		1	59	40	42	0.6	56	48	35	12
	EMTL*G13—426.9	26.9	3/4									
	EMTL*G13—428	28										
L5	EMTL*G13—430	30			71	52	58	0.8	69	64	50	12
	EMTL*G13—532	32		1 1/4								
	EMTL*G13—533.7	33.7	1									
	EMTL*G13—535	35										
	EMTL*G13—538	38		1 1/2								
	EMTL*G13—540	40										
L6	EMTL*G13—542	42	1 1/4		88	66	66	0.8	85	73	60	12
	EMTL*G13—644.5	44.5		1 3/4								
	EMTL*G13—648.3	48.3	1 1/2									
L7	EMTL*G13—650.8	50.8		2	121	94	93	0.8	117	99	85	12
	EMTL*G13—757.2	57.2		2 1/4								
	EMTL*G13—760.3	60.3	2									
	EMTL*G13—763.5	65.3		2 1/2								
	EMTL*G13—770	70		2 3/4								
	EMTL*G13—773	73										
L8	EMTL*G13—776.1	76.1	2 1/2	3	147	120	118	0.8	143	124	110	12
	EMTL*G13—888.9	88.9	3									
	EMTL*G13—8102	102		4								

Other form or requirements needs to be expressed by ordering.

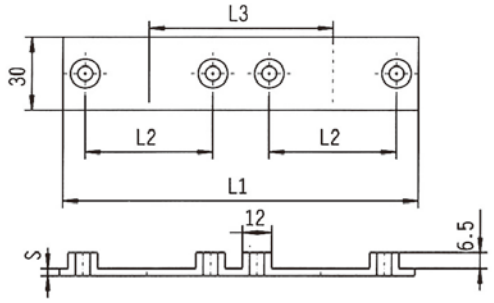
**EMTL\*Bottom Plate Or Rails Of Other Form**



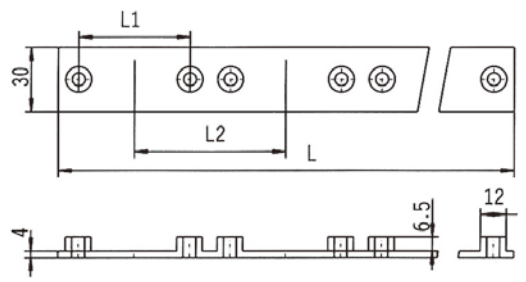
Angled weld palte



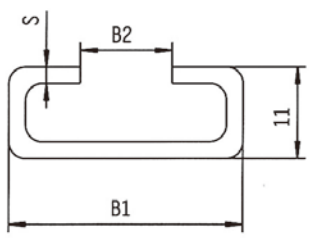
Bridge weld palte



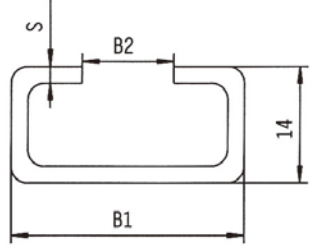
Twin weld palte



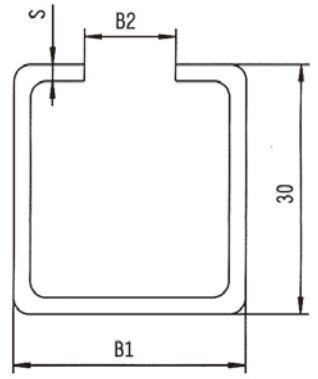
Group weld palte



SHL-E1



SHL-E2



SHL-E3

Series	Mounting rail			Twin welded base plate				Group welded base plate			Angled welded base plate				Bridge welded base plate		
	EMTL-E*			EMTL-D0				EMTL-D1			EMTL-D2				EMTL-D3		
	B1	B2	S	L1	L2	L3	S	L1	L2	L3	L1	L2	B1/B2	S	L1	L2	
L1	28	11	2	77	20	37	3	More than three occio need	20	37	36	20	30	3	48	20	
L2				86	26	44	3		26	44	42	26	30	3	54	26	
L3				102	33	52	3		33	52	50	33	30	3	62	33	
L4				136	40	60	3		40	60	60	40	30	3	71	40	
L5				145	52	75	3		52	75	70	52	30	3	85	52	
L6				178	66	90	3		66	90	88	66	30	3	98	66	
L7																	
L8																	

Note.acc to national standard:JB/ZQ4008-97

## Twin series with single bolt

**Twin pipe clamps:** This type of products is applicable for fixed pipes having oil, water and gas as media of mechanical hydraulic systems in fields like metallurgy, petroleum, chemical industry, automobile, shipping, and electricity. Light series is applicable for fixing MP and LP pipes ( $PN \leq 8\text{MPa}$ ).

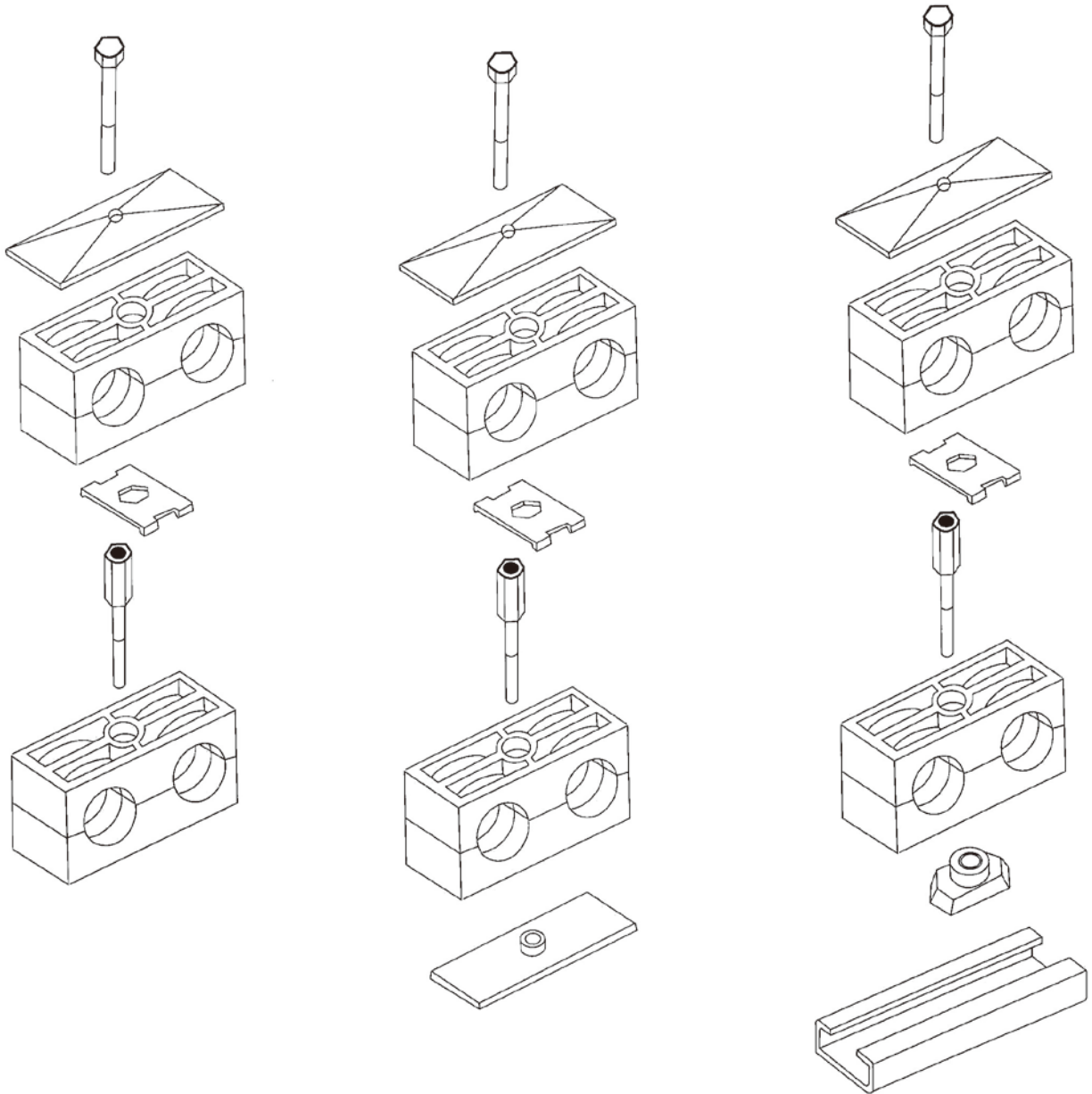
1. EMT-LPG\*\_Engineering polypropylene grooved inside light pipe clamps work temperature-30~+90°C
2. EMT-LPS\*\_Engineering polypropylene smooth inside light pipe clamps work temperature-30~+90°C
3. EMT-LNG\*\_Reinforced polyamide grooved inside light pipe clamps work temperature-40~+120°C
4. EMT-LNS\*\_Reinforced polyamide smooth inside light pipe clamps work temperature-40~+120°C
5. EMT-LLG\*\_Aluminum alloy grooved inside light pipe clamps work temperature-50~+300°C
6. EMT-LGG\*\_Steel grooved inside light pipe clamps work temperature-50~+300°C
7. EMT-LBG\*\_Stainless steel grooved inside light pipe clamps work temperature-80~+500°C
8. EMT-LGG\*\_Stainless grooved inside light pipe clamps work temperature-80~+500°C

**Note:** 1. Standard material of cover plates, welded base plates, rails, rail nuts, and bolts is carbon steel. Other materials are available upon customer's request which needs to be expressed by ordering.



Other form or requirements needs to be expressed by ordering.

**Twin Combination Series**



- Outer(inner)hexagon head bolt
- Cover plate
- Light pipe clamp body
- Safety locking pLate
- Stacking bolt
- Light pipe Clamp body

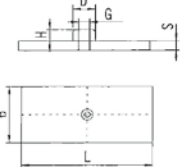
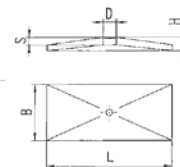
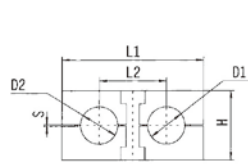
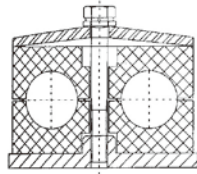
- Outer(inner)hexagon head bolt
- Cover plate
- Light pipe clamp body
- Safety locking pLate
- Stacking bolt
- Light pipe clamp body
- Botton Plate

- Outer(inner)hexagon head bolt
- Cover plate
- Light pipe clamp body
- Safety locking pLate
- Stacking bolt
- Light pipe clamp body
- Rail Nut
- Rail

Note.acc to national standard:JB/ZQ4008-97

**EMTT\*G1 Twin Pipe Clamps**

Outer hexagon head bolt+Cover plate+Clamp body+ Weld plate



Clamp body

Cover plate

Weld plate

Bolt

**▲ Order Code**

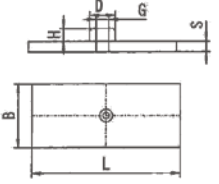
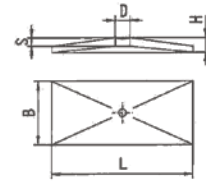
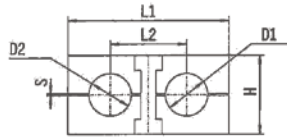
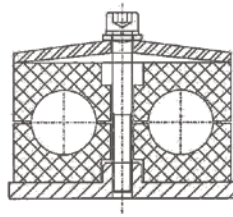
- 1. Light series, polypropylene,inside grooved=EMTLPG1
- 2. Light series, polypropylene,inside smooth= EMTLPS1
- 3. Light series, Polyamide,inside grooved= EMTLNG1
- 4. Light series, Polyamide, inside smooth= EMTLNS1

Series	Order code	Pipe O.D D1/D2	Clamp body					Cover plate				Weld plate					bolt
			L1	L2	H	S	Width	L	H	S	D	L	S	H	D	G	
T1	EMTT*G1—106	6/6	36	20	27	0.8	30	36	7	3	7	37	3	6	12	M6	M6*35
	EMTT*G1—106.4	6.4/6.4															
	EMTT*G1—108	8/8															
	EMTT*G1—109.5	9.5/9.5															
	EMTT*G1—110	10/10															
	EMTT*G1—112	12/12															
T2	EMTT*G1—212.7	12.7/12.7	53	29	27	0.8	30	53	7	3	9	55	5	6	14	M8	M8*35
	EMTT*G1—213.5	13.5/13.5															
	EMTT*G1—214	14/14															
	EMTT*G1—215	15/15															
	EMTT*G1—216	16/16															
	EMTT*G1—217.2	17.2/17.2															
	EMTT*G1—218	18/18															
	EMTT*G1—319	19/19															
T3	EMTT*G1—320	20/20	67	36	37	0.8	30	67	7	3	9	70	5	6	14	M8	M8*45
	EMTT*G1—321.3	21.3/21.3															
	EMTT*G1—322	22/22															
	EMTT*G1—325	25/25															
	EMTT*G1—426.9	26.9/26.9															
T4	EMTT*G1—428	28/28	80	45	40	0.8	30	80	7	3	9	85	5	6	14	M8	M8*50
	EMTT*G1—430	30/30															
	EMTT*G1—532	32/32															
T5	EMTT*G1—533.7	33.7/33.7	106	56	53	0.8	30	106	7	3	9	110	5	6	14	M8	M8*60
	EMTT*G1—535	35/35															
	EMTT*G1—538	38/38															
	EMTT*G1—540	40/40															
	EMTT*G1—542	42/42															

Other form or requirements needs to be expressed by ordering.

## EMTT\*G2 Twin Pipe Clamps

Inner hexagon head bolt+Cover plate+Clamp body+ Weld plate



Clamp body

Cover plate

Weld plate

**▲ Order Code**

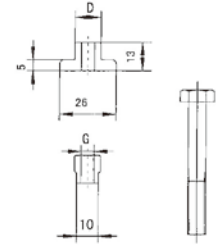
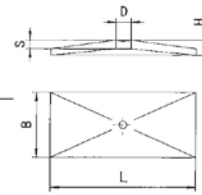
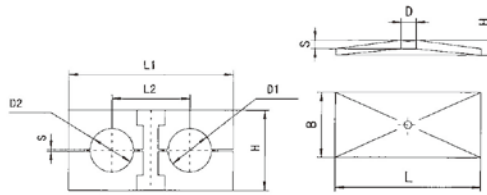
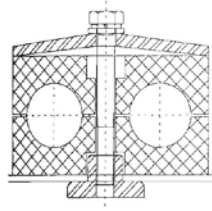
- 1. Light series, polypropylene,inside grooved=EMTLPG2
- 2. Light series, polypropylene,inside smooth= EMTLPS2
- 3. Light series, Polyamide,inside grooved= EMTLNG2
- 4. Light series, Polyamide, inside smooth= EMTLNS2

Series	Order code	Pipe O.D D1/D2	Clamp body					Cover plate				Weld plate					bolt
			L1	L2	H	S	Width	L	H	S	D	L	S	H	D	G	
T1	EMTT*G2—106	6/6	36	20	27	0.8	30	36	7	3	7	37	3	6	12	M6	M6*35
	EMTT*G2—106.4	6.4/6.4															
	EMTT*G2—108	8/8															
	EMTT*G2—109.5	9.5/9.5															
	EMTT*G2—110	10/10															
	EMTT*G2—112	12/12															
	EMTT*G2—212.7	12.7/12.7	53	29	27	0.8	30	53	7	3	9	55	5	6	14	M8	M8*35
T2	EMTT*G2—213.5	13.5/13.5															
	EMTT*G2—214	14/14															
	EMTT*G2—215	15/15															
	EMTT*G2—216	16/16															
	EMTT*G2—217.2	17.2/17.2															
	EMTT*G2—218	18/18															
	EMTT*G2—319	19/19	67	36	37	0.8	30	67	7	3	9	70	5	6	14	M8	M8*45
T3	EMTT*G2—320	20/20															
	EMTT*G2—321.3	21.3/21.3															
	EMTT*G2—322	22/22															
	EMTT*G2—325	25/25															
	EMTT*G2—426.9	26.9/26.9	80	45	40	0.8	30	80	7	3	9	85	5	6	14	M8	M8*50
T4	EMTT*G2—428	28/28															
	EMTT*G2—430	30/30															
	EMTT*G2—532	32/32	106	56	53	0.8	30	106	7	3	9	110	5	6	14	M8	M8*60
T5	EMTT*G2—533.7	33.7/33.7															
	EMTT*G2—535	35/35															
	EMTT*G2—538	38/38															
	EMTT*G2—540	40/40															
	EMTT*G2—542	42/42															

Note.acc to national standard:JB/ZQ4008-97

**EMTT\*G3 Twin Pipe Clamps**

Inner hexagon head bolt+Cover plate+Clamp body+ Rail nut



Clamp body

Cover plate

Rail nut

Bolt

**▲ Order Code**

- 1. Light series, polypropylene,inside grooved=EMTLPG3
- 2. Light series, polypropylene,inside smooth= EMTLPS3
- 3. Light series, Polyamide,inside grooved= EMTLNG3
- 4. Light series, Polyamide, inside smooth= EMTLNS3

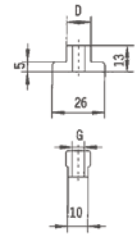
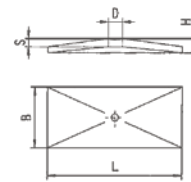
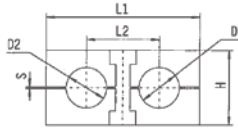
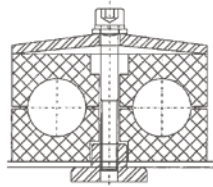
Series	Order code	Pipe O.D D1/D2	Clamp body					Cover plate				Rail nut		bolt
			L1	L2	H	S	Width	L	H	S	D	D	G	
T1	EMTT*G3—106	6/6	36	20	27	0.8	30	36	7	3	7	12	M6	M6*35
	EMTT*G3—106.4	6.4/6.4												
	EMTT*G3—108	8/8												
	EMTT*G3—109.5	9.5/9.5												
	EMTT*G3—110	10/10												
	EMTT*G3—112	12/12												
T2	EMTT*G3—212.7	12.7/12.7	53	29	27	0.8	30	53	7	3	9	14	M8	M8*35
	EMTT*G3—213.5	13.5/13.5												
	EMTT*G3—214	14/14												
	EMTT*G3—215	15/15												
	EMTT*G3—216	16/16												
	EMTT*G3—217.2	17.2/17.2												
	EMTT*G3—218	18/18												
	EMTT*G3—319	19/19												
T3	EMTT*G3—320	20/20	67	36	37	0.8	30	67	7	3	9	14	M8	M8*45
	EMTT*G3—321.3	21.3/21.3												
	EMTT*G3—322	22/22												
	EMTT*G3—325	25/25												
	EMTT*G3—426.9	26.9/26.9												
T4	EMTT*G3—428	28/28	80	45	40	0.8	30	80	7	3	9	14	M8	M8*50
	EMTT*G3—430	30/30												
	EMTT*G3—532	32/32												
T5	EMTT*G3—533.7	33.7/33.7	106	56	53	0.8	30	106	7	3	9	14	M8	M8*60
	EMTT*G3—535	35/35												
	EMTT*G3—538	38/38												
	EMTT*G3—540	40/40												
	EMTT*G3—542	42/42												

Other form or requirements needs to be expressed by ordering.



## EMTT\*G4 Twin Pipe Clamps

Inner hexagon head bolt+Cover plate+Clamp body+ Rail nut



Clamp body

Cover plate

Rail nut

Bolt

**▲ Order Code**

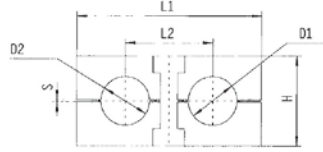
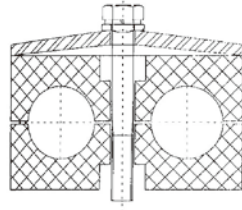
- 1. Light series, polypropylene,inside grooved=EMTLPG 4
- 2. Light series, polypropylene,inside smooth= EMTLPS4
- 3. Light series, Polyamide,inside grooved= EMTLNG 4
- 4. Light series, Polyamide, inside smooth= EMTLNS 4

Series	Order code	Pipe O.D D1/D2	Clamp body					Cover plate				Rail nut		bolt
			L1	L2	H	S	Width	L	H	S	D	D	G	
T1	EMTT*G4—106	6/6	36	20	27	0.8	30	36	7	3	7	12	M6	M6*35
	EMTT*G4—106.4	6.4/6.4												
	EMTT*G4—108	8/8												
	EMTT*G4—109.5	9.5/9.5												
	EMTT*G4—110	10/10												
	EMTT*G4—112	12/12												
T2	EMTT*G4—212.7	12.7/12.7	53	29	27	0.8	30	53	7	3	9	14	M8	M8*35
	EMTT*G4—213.5	13.5/13.5												
	EMTT*G4—214	14/14												
	EMTT*G4—215	15/15												
	EMTT*G4—216	16/16												
	EMTT*G4—217.2	17.2/17.2												
	EMTT*G4—218	18/18												
	EMTT*G4—319	19/19												
T3	EMTT*G4—320	20/20	67	36	37	0.8	30	67	7	3	9	14	M8	M8*45
	EMTT*G4—321.3	21.3/21.3												
	EMTT*G4—322	22/22												
	EMTT*G4—325	25/25												
	EMTT*G4—426.9	26.9/26.9												
T4	EMTT*G4—428	28/28	80	45	40	0.8	30	80	7	3	9	14	M8	M8*50
	EMTT*G4—430	30/30												
	EMTT*G4—532	32/32												
T5	EMTT*G4—533.7	33.7/33.7	106	56	53	0.8	30	106	7	3	9	14	M8	M8*60
	EMTT*G4—535	35/35												
	EMTT*G4—538	38/38												
	EMTT*G4—540	40/40												
	EMTT*G4—542	42/42												

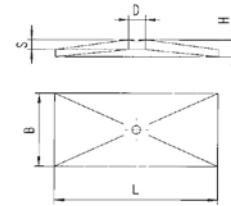
Note.acc to national standard:JB/ZQ4008-97

**EMTT\*G5 Twin Pipe Clamps**

Outer hexagon head bolt+Cover plate+Clamp body



Clamp body



Cover plate



Bolt

▲ Order Code

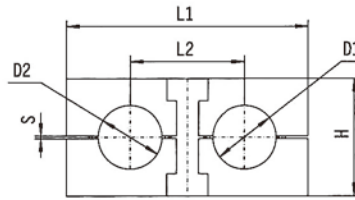
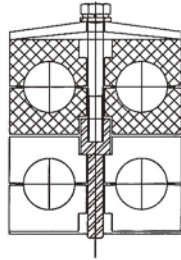
- 1. Light series, polypropylene, inside grooved=EMTLPG 5
- 2. Light series, polypropylene, inside smooth= EMTLPS
- 3. Light series, Polyamide, inside grooved= EMTLNG 5
- 4. Light series, Polyamide, inside smooth= EMTLNS5

Series	Order code	Pipe O.D D1/D2	Clamp body					Cover plate				bolt
			L1	L2	H	S	Width	L	H	S	D	
T1	EMTT*G5—106	6/6	36	20	27	0.8	30	36	7	3	7	M6*35
	EMTT*G5—106.4	6.4/6.4										
	EMTT*G5—108	8/8										
	EMTT*G5—109.5	9.5/9.5										
	EMTT*G5—110	10/10										
	EMTT*G5—112	12/12										
T2	EMTT*G5—212.7	12.7/12.7	53	29	27	0.8	30	53	7	3	9	M8*35
	EMTT*G5—213.5	13.5/13.5										
	EMTT*G5—214	14/14										
	EMTT*G5—215	15/15										
	EMTT*G5—216	16/16										
	EMTT*G5—217.2	17.2/17.2										
	EMTT*G5—218	18/18										
	EMTT*G5—319	19/19										
T3	EMTT*G5—320	20/20	67	36	37	0.8	30	67	7	3	9	M8*45
	EMTT*G5—321.3	21.3/21.3										
	EMTT*G5—322	22/22										
	EMTT*G5—325	25/25										
	EMTT*G5—426.9	26.9/26.9										
T4	EMTT*G5—428	28/28	80	45	40	0.8	30	80	7	3	9	M8*50
	EMTT*G5—430	30/30										
	EMTT*G5—532	32/32										
T5	EMTT*G5—533.7	33.7/33.7	106	56	53	0.8	30	106	7	3	9	M8*60
	EMTT*G5—535	35/35										
	EMTT*G5—538	38/38										
	EMTT*G5—540	40/40										
	EMTT*G5—542	42/42										

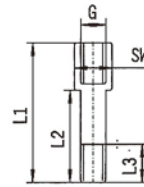
Other form or requirements needs to be expressed by ordering.

## EMTT\*G6 Twin Pipe Clamps

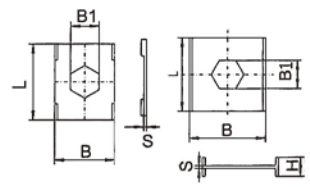
Stacking bolt+Clamp bod+Safety locking plate



Clamp body



Stacking bolt



Safety locking plate

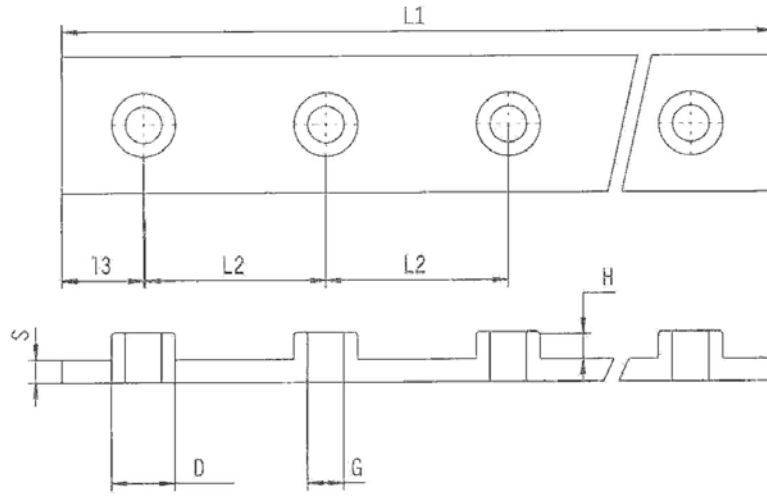
**▲ Order Code**

- 1. Light series, polypropylene, inside grooved=EMTLPG 6
- 2. Light series, polypropylene, inside smooth= EMTLP6
- 3. Light series, Polyamide, inside grooved= EMTLNG 6
- 4. Light series, Polyamide, inside smooth= EMTLNS 6

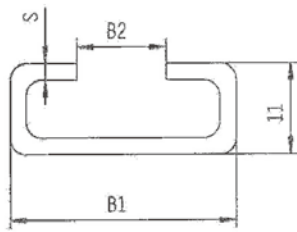
Series	Order code	Pipe O.D D1/D2	Clamp body					Stacking bolt					Safety locking plate			
			L1	L2	H	S	Width	G	L1	L2	L3	SW	L	B	B1	S
T1	EMTT*G6—106	6/6	36	20	27	0.8	30	M6	34	20	12	11	A27 B27	A22 B28	11	1
	EMTT*G6—106.4	6.4/6.4														
	EMTT*G6—108	8/8														
	EMTT*G6—109.5	9.5/9.5														
	EMTT*G6—110	10/10														
	EMTT*G6—112	12/12														
T2	EMTT*G6—212.7	12.7/12.7	53	29	27	0.8	30	M8	33	20	12	12	A27 B45	A22 B28	12	1
	EMTT*G6—213.5	13.5/13.5														
	EMTT*G6—214	14/14														
	EMTT*G6—215	15/15														
	EMTT*G6—216	16/16														
	EMTT*G6—217.2	17.2/17.2														
EMTT*G6—218	18/18															
T3	EMTT*G6—319	19/19	67	36	37	0.8	30	M8	44	29	12	12	A27 B45	A22 B28	12	1
	EMTT*G6—320	20/20														
	EMTT*G6—321.3	21.3/21.3														
	EMTT*G6—322	22/22														
T4	EMTT*G6—426.9	26.9/26.9	80	45	40	0.8	30	M8	49	34	12	12	A27 B45	A22 B28	12	1
	EMTT*G6—428	28/28														
	EMTT*G6—430	30/30														
T5	EMTT*G6—532	32/32	106	56	53	0.8	30	M8	61	46	12	12	A27 B45	A22 B28	12	1
	EMTT*G6—533.7	33.7/33.7														
	EMTT*G6—535	35/35														
	EMTT*G6—538	38/38														
	EMTT*G6—540	40/40														
EMTT*G6—542	42/42															

Note.acc to national standard:JB/ZQ4008-97

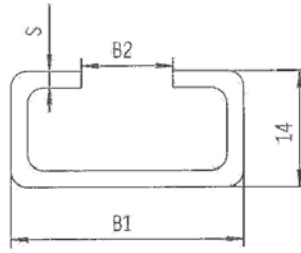
**EMTT\*Bottom Plate Or Rails Of Other Form**



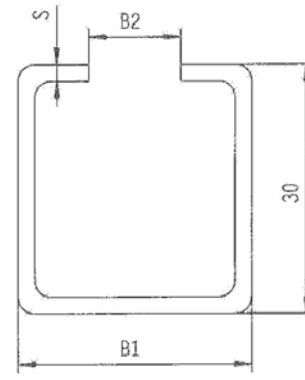
Group welded base plate



SHL - E 1



SHL - E 2



SHL - E 3

Series	Group welded base plate							Mounting rail		
	L1	L2	L3	S	L1	L2	L3	B1	B2	S
T1	More than twin occ.:to need	40	18	3	6	M6	12	28	11	2
T2		58	28	5	6	M8	14			
T3		72	35	5	6	M8	14			
T4		90	42	5	6	M8	14			
T5		112	55	5	6	M8	14			

Other form or requirements needs to be expressed by ordering.

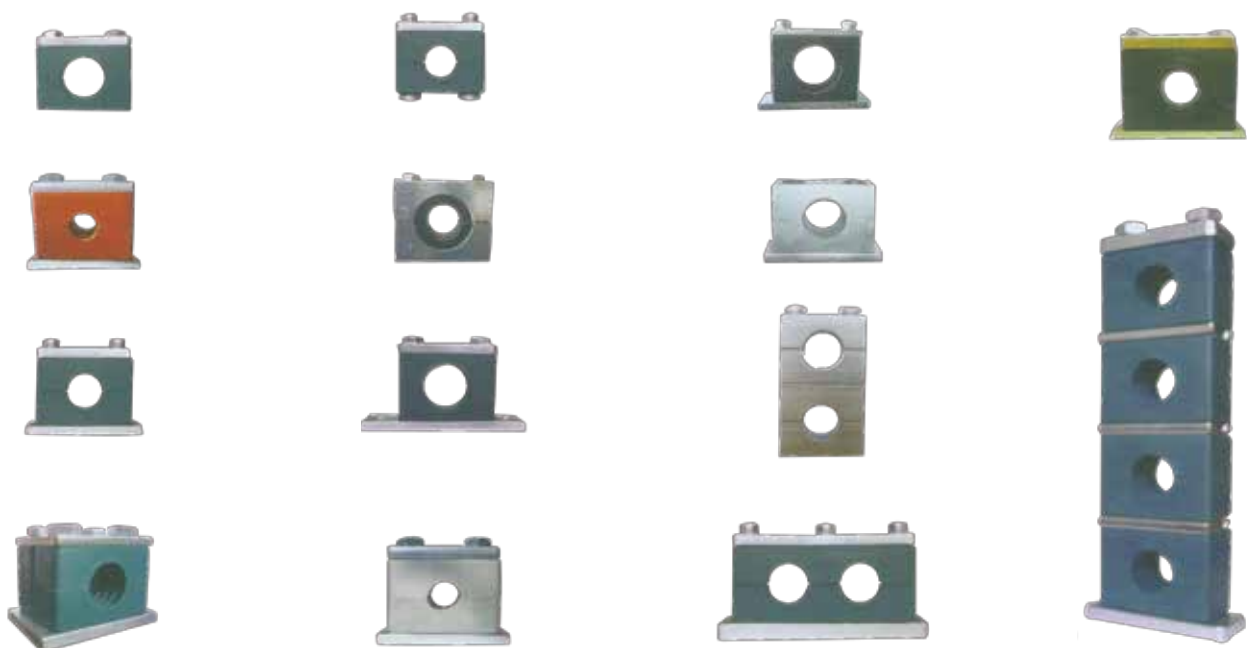
**Heavy Series with double boits**

**Heavy pipe clamps:** This type of products is applicable for fixed pipes having oil, water and gas as media of mechanical hydraulic systems in fields like metallurgy, petroleum, chemical industry, automobile, shipping, and electricity. Light series is applicable for fixing MP and LP pipes (PN ≤ 31.5MPa).

1. EMTHPG\*\_Engineering polypropylene heavy grooved inside pipe clamp work temperature-30~+90°C
2. EMTHPS\*\_Engineering polypropylene heavy smooth inside pipe clamp work temperature-30~+90°C
3. EMTHNG\*\_Reinforced polyamide heavy grooved inside pipe clamp work temperature-40~+120°C
4. EMTHNS\*\_Reinforced polyamide heavy smooth inside pipe clamp work temperature-40~+120°C
5. EMTHLG\*\_Aluminum alloy heavy grooved inside pipe clamp work temperature-50~+300°C
6. EMTHGG\*\_Steel heavy grooved inside pipe clamp work temperature-50~+300°C
7. EMTHBG\*\_Stainless steel heavy grooved inside pipe clamp work temperature-80~+500°C
8. EMTHGG\*\_Stainless heavy grooved inside pipe clamp work temperature-80~+500°C

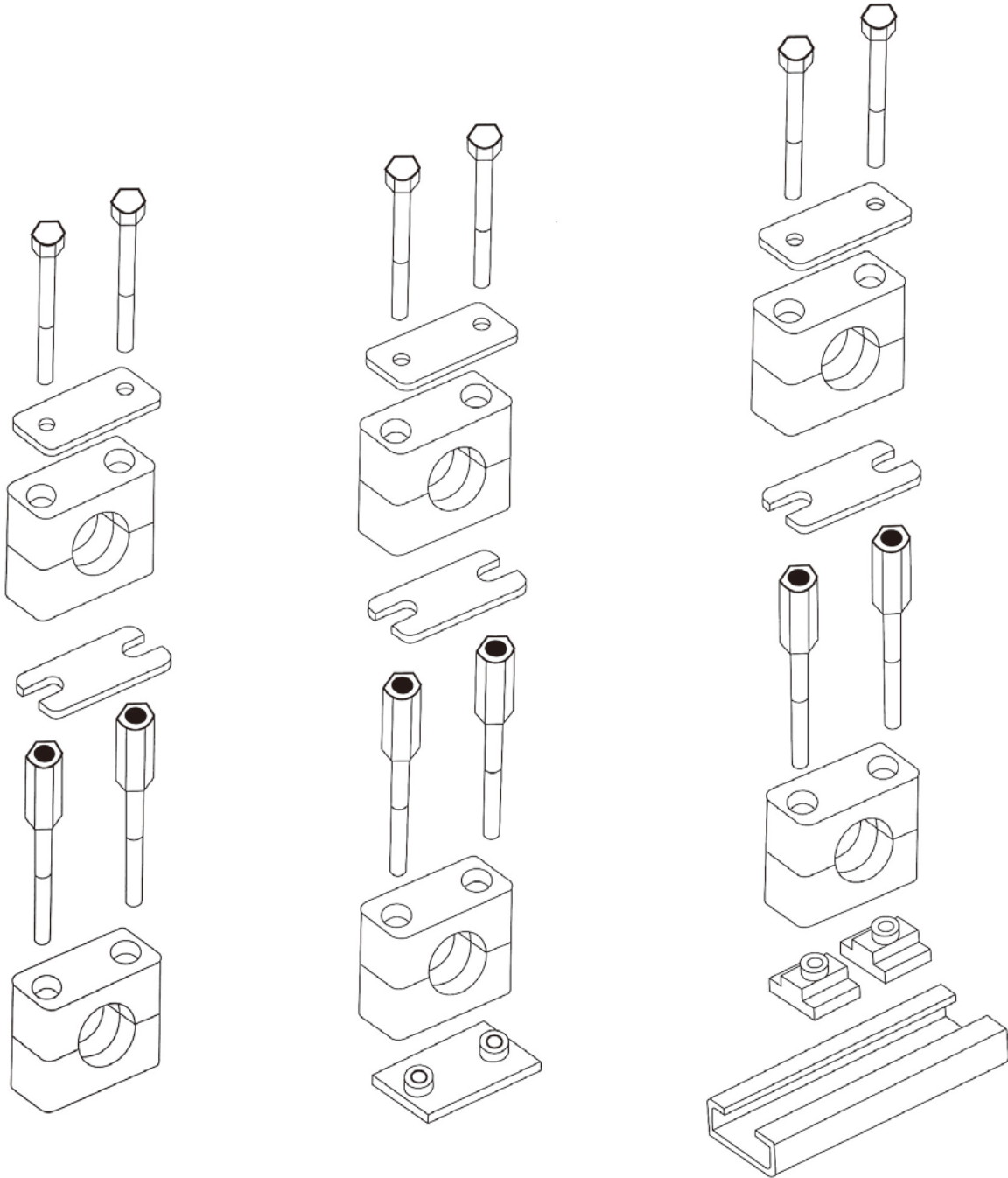
**Note:** 1. Standard material of cover plates, welded base plates, rails, rail nuts, and bolts is carbon steel. Other materials are available upon customer's request which needs to be expressed by ordering.

2. Can design multilayer pipe clamps, up to five levels
3. Other forms backplane or rail EMTHD \* form of the base plate or rails



Note.acc to national standard:JB/ZQ4008-97

**Heavy Combination Series**



- Outer(inner)hexagon head bolt
- Cover plate
- Light pipe clamp body
- Safety locking pLate
- Stacking bolt
- Light pipe Clamp body

- Outer(inner)hexagon head bolt
- Cover plate
- Light pipe clamp body
- Safety locking pLate
- Stacking bolt
- Light pipe clamp body
- Botton Plate

- Outer(inner)hexagon head bolt
- Cover plate
- Light pipe clamp body
- Safety locking pLate
- Stacking bolt
- Light pipe clamp body
- Rail Nut
- Rail

Other form or requirements needs to be expressed by ordering.

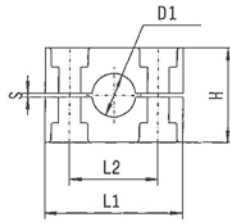
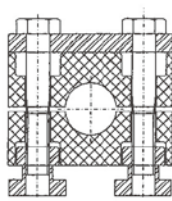




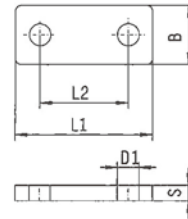


## EMTH\*G3 Heavy Pipe Clamps

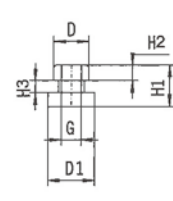
Inner hexagon head bolt+Cover plate+Clamp body+ Rail nut



Clamp body



Cover plate



Rail nut



Bolt

**▲ Order Code**

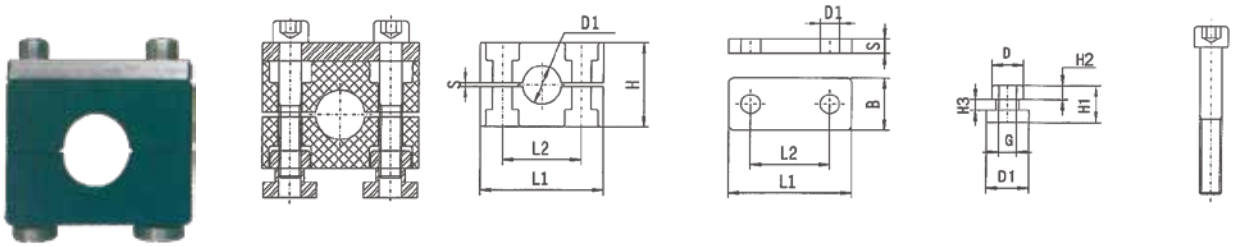
- 1.Heavy series, polypropylene,inside grooved=EMTHPG3    2.Heavy series, polypropylene,inside smooth= EMTHPS3
- 3.Heavy series, Polyamide,inside grooved= EMTHPG3    4. Heavy series, Polyamide, inside smooth= EMTHNS3

Series	Ordercode	D1Pipe O.D	Inch bore	Inch O.D	Clamp body					Cover plate					Rail Nut					bolt	
					L1	L2	H	S	Width	L1	L2	S	B	D1	H1	H2	H3	D	D1		G
H1	EMTH*G3-106	6			55	33	32	2	30	55	33	8	30	11	19	6	7	18	25	M10	M10*45
	EMTH*G3-108	8																			
	EMTH*G3-109.5	9.5		1/8																	
	EMTH*G3-110	10	1/8																		
	EMTH*G3-112.7	12.7		1/2																	
	EMTH*G3-113.5	13.5	1/4																		
	EMTH*G3-114	14																			
	EMTH*G3-115	15																			
	EMTH*G3-116	16		5/8																	
	EMTH*G3-117.2	17.2	3/8																		
EMTH*G3-118	18																				
H2	EMTH*G3-218	18			70	45	48	2	30	70	45	8	30	11	19	6	7	18	25	M10	M10*60
	EMTH*G3-219	19		3/4																	
	EMTH*G3-220	20																			
	EMTH*G3-221.3	21.3	1/2																		
	EMTH*G3-222	22		7/8																	
	EMTH*G3-225	25		1																	
	EMTH*G3-226.9	26.9	3/4																		
	EMTH*G3-228	28																			
	EMTH*G3-230	30																			
	EMTH*G3-330	30																			
H3	EMTH*G3-332	32		1 1/4	85	60	60	2	30	85	60	8	30	11	19	6	7	18	25	M10	M10*70
	EMTH*G3-333.7	33.7	1																		
	EMTH*G3-335	35																			
	EMTH*G3-338	38		1 1/2																	
	EMTH*G3-340	40																			
	EMTH*G3-342	42	1 1/4																		
EMTH*G3-442	42	1 1/4																			
H4	EMTH*G3-444.5	44.5		1 3/4	115	90	89	3	45	115	90	8	45	14	22	7	7	20	25	M12	M12*100
	EMTH*G3-448.3	48.3	1 1/2																		
	EMTH*G3-450.8	50.8		2																	
	EMTH*G3-455	55																			
	EMTH*G3-457	57		2 1/4																	
	EMTH*G3-460.3	60.3	2																		
	EMTH*G3-463.5	63.5		2 1/2																	
	EMTH*G3-465																				
EMTH*G3-470																					

Note.acc to national standard:JB/ZQ4008-97

**EMTH\*G4** **EMTH\*G4 Heavy Pipe Clamps**

Inner hexagon head bolt+Cover plate+Clamp body+ Rail nut



Clamp body

Cover plate

Rail nut

Bolt

▲ Order Code

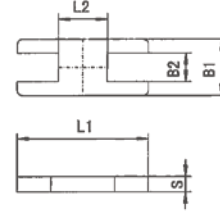
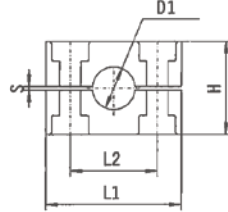
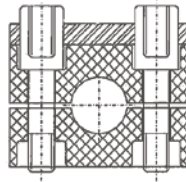
- 1.Heavy series, polypropylene,inside grooved=EMTHPG4
- 2. Heavy series, polypropylene,inside smooth= EMTHPS4
- 3.Heavy series, Polyamide,inside grooved= EMTHPG4
- 4. Heavy series, Polyamide, inside smooth= EMTHNS4

Series	Order code	D1Pipe O.D	Inch bore	Inch O.D	Clamp body					Cover plate					Rail Nut					bolt	
					L1	L2	H	S	Width	L1	L2	S	B	D1	H1	H2	H3	D	D1		G
H1	EMTH*G4-106	6			55	33	32	2	30	55	33	8	30	11	19	6	7	18	25	M10	M10*45
	EMTH*G4-108	8																			
	EMTH*G4-109.5	9.5		1/8																	
	EMTH*G4-110	10	1/8																		
	EMTH*G4-112.7	12.7		1/2																	
	EMTH*G4-113.5	13.5	1/4																		
	EMTH*G4-114	14																			
	EMTH*G4-115	15																			
	EMTH*G4-116	16		5/8																	
	EMTH*G4-117.2	17.2	3/8																		
EMTH*G4-118	18																				
H2	EMTH*G4-218	18			70	45	48	2	30	70	45	8	30	11	19	6	7	18	25	M10	M10*60
	EMTH*G4-219	19		3/4																	
	EMTH*G4-220	20																			
	EMTH*G4-221.3	21.3	1/2																		
	EMTH*G4-222	22		7/8																	
	EMTH*G4-225	25		1																	
	EMTH*G4-226.9	26.9	3/4																		
	EMTH*G4-228	28																			
	EMTH*G4-230	30																			
	EMTH*G4-330	30																			
H3	EMTH*G4-332	32		1 1/4	85	60	60	2	30	85	60	8	30	11	19	6	7	18	25	M10	M10*70
	EMTH*G4-333.7	33.7	1																		
	EMTH*G4-335	35																			
	EMTH*G4-338	38		1 1/2																	
	EMTH*G4-340	40																			
	EMTH*G4-342	42	1 1/4																		
H4	EMTH*G4-442	42	1 1/4		115	90	89	3	45	115	90	8	45	14	22	7	7	20	25	M12	M12*100
	EMTH*G4-444.5	44.5		1 3/4																	
	EMTH*G4-448.3	48.3	1 1/2																		
	EMTH*G4-450.8	50.8		2																	
	EMTH*G4-455	55																			
	EMTH*G4-457	57		2 1/4																	
	EMTH*G4-460.3	60.3	2																		
	EMTH*G4-463.5	65.3		2 1/2																	
EMTH*G4-465																					
EMTH*G4-470																					

Other form or requirements needs to be expressed by ordering.

**EMTH\*G5** **EMTH\*G5 Heavy Pipe Clamps**

Stacking Bolt+Safety locking plate+Clamp body (Available up to 5 layers of multilayer)



Clamp body

Safety locking plate

Stacking Bolt

**Order Code**

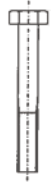
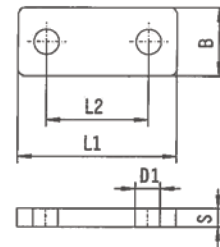
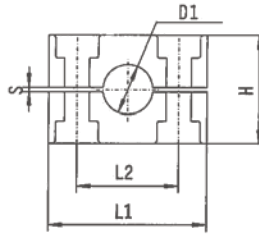
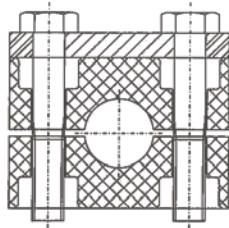
- 1.Heavy series, polypropylene,inside grooved=EMTHPG5
- 2.Heavy series, polypropylene,inside smooth= EMTHPS5
- 3.Heavy series, Polyamide,inside grooved= EMTHPG5
- 4. Heavy series, Polyamide, inside smooth= EMTHNS5

Series	Order code	Pipe O.D	Inch bore	Inch O.D	Clamp body					Cover plate					Weld plate				
					L1	L2	H	S	Width	L1	L2	S	B1	B2	L1	L2	L3	G	SW
H1	EMTH*G5-106	6			55	33	32	2	30	55	13	8	30	15	50	25	15	M10	14
	EMTH*G5-108	8																	
	EMTH*G5-109.5	9.5		1/8															
	EMTH*G5-110	10	1/8																
	EMTH*G5-112.7	12.7		1/2															
	EMTH*G5-113.5	13.5	1/4																
	EMTH*G5-114	14																	
	EMTH*G5-115	15																	
	EMTH*G5-116	16		5/8															
H2	EMTH*G5-117.2	17.2	3/8		70	45	48	2	30	70	26	8	30	15	65	40	15	M10	14
	EMTH*G5-118	18																	
	EMTH*G5-218	18																	
	EMTH*G5-219	19		3/4															
	EMTH*G5-220	20																	
	EMTH*G5-221.3	21.3	1/2																
	EMTH*G5-222	22		7/8															
	EMTH*G5-225	25		1															
	EMTH*G5-226.9	26.9	3/4																
	EMTH*G5-228	28																	
H3	EMTH*G5-230	30			85	60	60	2	30	85	40	8	30	15	75	50	15	M10	14
	EMTH*G5-330	30																	
	EMTH*G5-332	32		1 1/4															
	EMTH*G5-333.7	33.7	1																
	EMTH*G5-335	35																	
	EMTH*G5-338	38		1 1/2															
	EMTH*G5-340	40																	
H4	EMTH*G5-342	42	1 1/4		115	90	89	3	45	115	70	8	45	17	110	80	18	M12	17
	EMTH*G5-442	42	1 1/4																
	EMTH*G5-444.5	44.5		1 3/4															
	EMTH*G5-448.3	48.3	1 1/2																
	EMTH*G5-450.8	50.8		2															
	EMTH*G5-455	55																	
	EMTH*G5-457	57		2 1/4															
	EMTH*G5-460.3	60.3	2																
H5	EMTH*G5-463.5	63.5		2 1/2	150	122	120	3.5	60	150	97	8	60	22	144	110	24	M16	21
	EMTH*G5-465																		
	EMTH*G5-470																		
	EMTH*G5-570	70																	
	EMTH*G5-575	70																	
	EMTH*G5-576.1	76.1	2 1/2	3															
	EMTH*G5-580	80																	
	EMTH*G5-582.5	82.5		3 1/4															
	EMTH*G5-588.9	88.9	3																
	H6	EMTH*G5-688.9	88.9	3															
EMTH*G5-6100		100																	
EMTH*G5-6102		102	3 1/2																
EMTH*G5-6108		108		4 1/4															
EMTH*G5-6114		114	4																
EMTH*G5-6127		127		5															
EMTH*G5-6133		133		5 1/4															
H7	EMTH*G5-7133	133		5 1/4	250	205	200	4	90	250	166	12	90	31	240	180	50	M24	30
	EMTH*G5-7140	140	5																
	EMTH*G5-7152	152		6															
	EMTH*G5-7159	159		6 1/4															
	EMTH*G5-7165	165		6 1/2															
H8	EMTH*G5-7188	168	6		336	265	270	5	120	336	205	15	120	49	331	256	60	M30	45
	EMTH*G5-8168	168	6																
	EMTH*G5-8177.8	177.8		7															
	EMTH*G5-8193.7	193.7		7 5/8															
	EMTH*G5-8216	216		8 1/2															
	EMTH*G5-8219	219	8																

Note.acc to national standard:JB/ZQ4008-97

**EMTHG6** **EMTH\*G6 Heavy Pipe Clamps**

Outer hexagon head bolt+Cover plate+Clamp body



**Order Code**

- 1. Heavy series, polypropylene, inside grooved=EMTHPG6
- 2. Heavy series, polypropylene, inside smooth= EMTHPS6
- 3. Heavy series, Polyamide, inside grooved= EMTHPG6
- 4. Heavy series, Polyamide, inside smooth= EMTHNS6

Clamp body

Cover plate

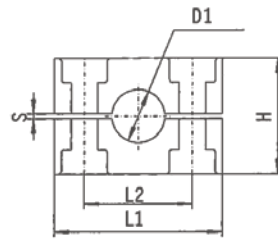
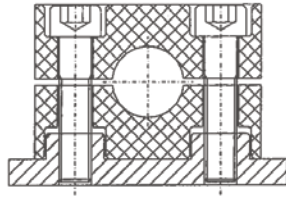
Bolt

Series	Order code	D1Pipe O.D	Inch bore	Inch O.D	Clamp body					Cover plate					bolt												
					L1	L2	H	S	Width	L1	L2	S	B	D1													
H1	EMTH*G6-106	6			55	33	32	2	30	55	33	8	30	11	M10*45												
	EMTH*G6-108	8																									
	EMTH*G6-109.5	9.5		1/8																							
	EMTH*G6-110	10		1/8																							
	EMTH*G6-112.7	12.7		1/2																							
	EMTH*G6-113.5	13.5		1/4																							
	EMTH*G6-114	14																									
	EMTH*G6-115	15																									
	EMTH*G6-116	16		5/8																							
	EMTH*G6-117.2	17.2		3/8																							
EMTH*G6-118	18																										
H2	EMTH*G6-218	18			70	45	48	2	30	70	45	8	30	11	M10*60												
	EMTH*G6-219	19		3/4																							
	EMTH*G6-220	20																									
	EMTH*G6-221.3	21.3		1/2																							
	EMTH*G6-222	22		7/8																							
	EMTH*G6-225	25		1																							
	EMTH*G6-226.9	26.9		3/4																							
	EMTH*G6-228	28																									
	EMTH*G6-230	30																									
	EMTH*G6-330	30																									
H3	EMTH*G6-332	32		1 1/4	85	60	60	2	30	85	60	8	30	11	M10*70												
	EMTH*G6-333.7	33.7		1																							
	EMTH*G6-335	35																									
	EMTH*G6-338	38		1 1/2																							
	EMTH*G6-340	40																									
	EMTH*G6-342	42		1 1/4																							
	EMTH*G6-442	42		1 1/4																							
	EMTH*G6-444.5	44.5		1 3/4																							
	EMTH*G6-448.3	48.3		1 1/2																							
	EMTH*G6-450.8	50.8		2																							
H4	EMTH*G6-455	55			115	90	89	3	45	115	90	8	45	14	M12*100												
	EMTH*G6-457	57		2 1/4																							
	EMTH*G6-460.3	60.3		2																							
	EMTH*G6-463	63.5		2 1/2																							
	EMTH*G6-465																										
	EMTH*G6-470																										
	EMTH*G6-570	70																									
	EMTH*G6-575	70																									
	EMTH*G6-576.1	76.1		2 1/2																							
	EMTH*G6-580	80																									
H5	EMTH*G6-582.5	82.5		3 1/4	150	122	120	3.5	60	150	122	8	60	18	M16*130												
	EMTH*G6-588.9	88.9		3																							
	EMTH*G6-688.9	88.9		3																							
	EMTH*G6-6100	100																									
	EMTH*G6-6102	102		3 1/2																							
	EMTH*G6-6108	108		4 1/4																							
	EMTH*G6-6114	114		4																							
	EMTH*G6-6127	127		5																							
	EMTH*G6-6133	133		5 1/4																							
	EMTH*G6-7133	133		5 1/4																							
H7	EMTH*G6-7140	140		5	250	205	200	4	90	250	205	12	90	26	M24*220												
	EMTH*G6-7152	152		6																							
	EMTH*G6-7159	159		6 1/4																							
	EMTH*G6-7165	165		6 1/2																							
	EMTH*G6-7168	168		6																							
	EMTH*G6-8168	168		6																							
	EMTH*G6-8177.8	177.8		7																							
	EMTH*G6-8193.7	193.7		7 5/8																							
	EMTH*G6-8216	216		8 1/2																							
	H8	EMTH*G6-8219	219													8	336	265	270	5	120	336	265	20	120	35	M30*300
EMTH*G6-9219		219		8																							
EMTH*G6-9273		273		10																							
EMTH*G6-9324		324		12																							
H9		EMTH*G6-10356	356		14	470	395	410	8	160	470	395	25	160	35	M30*450											
		EMTH*G6-10406	406		16																						
H10		EMTH*G6-10406	406		16	630	534	530	20	180	630	534	25	180	35	M30*560											

Other form or requirements needs to be expressed by ordering.

**EMTH\*G7** **EMTH\*G7 Heavy Pipe Clamps**

Inner hexagon head bolt+Clamp body



Clamp body

Bolt

▲ Order Code

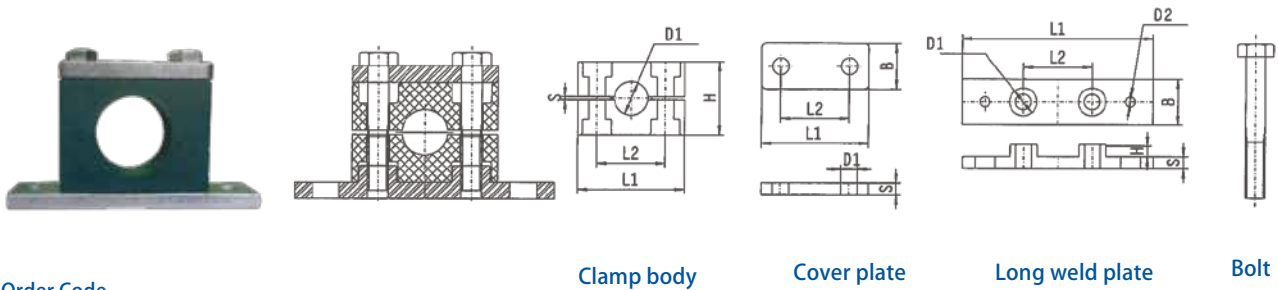
- 1.Heavy series, polypropylene,inside grooved=EMTHPG7
- 2.Heavy series, polypropylene,inside smooth= EMTHPS7
- 3.Heavy series, Polyamide,inside grooved= EMTHPG7
- 4. Heavy series, Polyamide, inside smooth= EMTHNS7

Series	Order code	D1Pipe O.D	Inch bore	Inch O.D	Clamp body					bolt
					L1	L2	H	S	Width	
H1	EMTH*G7-106	6			55	33	32	2	30	M10*30
	EMTH*G7-108	8								
	EMTH*G7-109.5	9.5		1/8						
	EMTH*G7-110	10	1/8							
	EMTH*G7-112.7	12.7		1/2						
	EMTH*G7-113.5	13.5	1/4							
	EMTH*G7-114	14								
	EMTH*G7-115	15								
	EMTH*G7-116	16		5/8						
	EMTH*G7-117.2	17.2	3/8							
EMTH*G7-118	18									
H2	EMTH*G7-218	18			70	45	48	2	30	M10*40
	EMTH*G7-219	19		3/4						
	EMTH*G7-220	20								
	EMTH*G7-221.3	21.3	1/2							
	EMTH*G7-222	22		7/8						
	EMTH*G7-225	25		1						
	EMTH*G7-226.9	26.9	3/4							
	EMTH*G7-228	28								
	EMTH*G7-230	30								
	EMTH*G7-330	30								
H3	EMTH*G7-332	32		1 1/4	85	60	60	2	30	M10*50
	EMTH*G7-333.7	33.7	1							
	EMTH*G7-335	35								
	EMTH*G7-338	38		1 1/2						
	EMTH*G7-340	40								
	EMTH*G7-342	42	1 1/4							
	EMTH*G7-442	42	1 1/4							
H4	EMTH*G7-444.5	44.5		1 3/4	115	90	89	3	45	M12*80
	EMTH*G7-448.3	48.3	1 1/2							
	EMTH*G7-450.8	50.8		2						
	EMTH*G7-455	55								
	EMTH*G7-457	57		2 1/4						
	EMTH*G7-460.3	60.3	2							
	EMTH*G7-463.5	63.5		2 1/2						
	EMTH*G7-465									
	EMTH*G7-470									

Note.acc to national standard:JB/ZQ4008-97

**EMTH\*G8 EMTH\*G8 Heavy Pipe Clamps**

Outer hexagon head bolt+Cover plate+Clamp body+Long weld plate



- ▲ Order Code**
- 1. Heavy series, polypropylene, inside grooved=EMTHPG8
  - 2. Heavy series, polypropylene, inside smooth= EMTHPS8
  - 3. Heavy series, Polyamide, inside grooved= EMTHPG8
  - 4. Heavy series, Polyamide, inside smooth= EMTHNS8

Series	Order code	D1Pipe O.D	Inch bore	Inch O.D	Clamp body					Cover plate					Long Weld plate						bolt																				
					L1	L2	H	S	Width	L1	L2	S	B	D1	L1	L2	B	S	H	D1		D2																			
H1	EMTH*G8-106	6			55	33	32	2	30	55	33	8	30	11	113	33	30	8	8	18	13	M10*45																			
	EMTH*G8-108	8																																							
	EMTH*G8-109.5	9.5	1/8	1/8																																					
	EMTH*G8-110	10	1/8	1/2																																					
	EMTH*G8-112.7	12.7																																							
	EMTH*G8-113.5	13.5	1/4																																						
	EMTH*G8-114	14																																							
	EMTH*G8-115	15																																							
	EMTH*G8-116	16		5/8																																					
	EMTH*G8-117.2	17.2	3/8																																						
H2	EMTH*G8-118	18			70	45	48	2	30	70	45	8	30	11	125	45	30	8	8	18	13	M10*60																			
	EMTH*G8-218	18																																							
	EMTH*G8-219	19		3/4																																					
	EMTH*G8-220	20																																							
	EMTH*G8-221.3	21.3	1/2																																						
	EMTH*G8-222	22		7/8																																					
	EMTH*G8-225	25		1																																					
	EMTH*G8-226.9	26.9	3/4																																						
	EMTH*G8-228	28																																							
	EMTH*G8-230	30																																							
H3	EMTH*G8-330	30			85	60	60	2	30	85	60	8	30	11	140	60	30	8	8	18	13	M10*70																			
	EMTH*G8-332	32		1 1/4																																					
	EMTH*G8-333.7	33.7	1																																						
	EMTH*G8-335	35																																							
	EMTH*G8-338	38		1 1/2																																					
	EMTH*G8-340	40																																							
	EMTH*G8-342	42	1 1/4																																						
	EMTH*G8-442	42	1 1/4																																						
	EMTH*G8-444.5	44.5		1 3/4																																					
	EMTH*G8-448.3	48.3	1 1/2																																						
H4	EMTH*G8-450.8	50.8		2	115	90	89	3	45	115	90	8	45	14	187	90	45	10	8	20	13	M12*100																			
	EMTH*G8-455	55																																							
	EMTH*G8-457	57		2 1/4																																					
	EMTH*G8-460.3	60.3	2																																						
	EMTH*G8-463	63.5		2 1/2																																					
	EMTH*G8-465																																								
	EMTH*G8-470																																								
	H5	EMTH*G8-570	70																					150	122	120	3.5	60	150	122	8	60	18	238	122	60	10	12	24	16	M16*130
		EMTH*G8-575	70																																						
		EMTH*G8-576.1	76.1	2 1/2																			3																		
EMTH*G8-580		80																																							
EMTH*G8-582.5		82.5		3 1/4																																					
EMTH*G8-588.9		88.9	3																																						
EMTH*G8-688.9		88.9	3																																						
EMTH*G8-6100		100																																							
H6		EMTH*G8-6102	102	3 1/2		205	168	167	4	80	205	168	12	80	22	309	168	80	15	18	30	21	M20*190																		
		EMTH*G8-6108	108		4 1/4																																				
	EMTH*G8-6114	114	4																																						
	EMTH*G8-6127	127		5																																					
	EMTH*G8-6133	133		5 1/4																																					
	EMTH*G8-7133	133		5 1/4																																					
	H7	EMTH*G8-7140	140	5																				250	205	200	4	90	250	205	12	90	26	370	205	90	15	21	30	26	M24*220
		EMTH*G8-7152	152		6																																				
		EMTH*G8-7159	159		6 1/4																																				
		EMTH*G8-7165	165		6 1/2																																				
EMTH*G8-7168		168	6																																						
EMTH*G8-8168		168	6																																						
H8		EMTH*G8-8177.8	177.8		7	336	265	270	5	120	336	265	20	120	35	440	265	120	25	38	35	31	M30*300																		
		EMTH*G8-8193.7	193.7		7 5/8																																				
		EMTH*G8-8216	216		8 1/2																																				
		EMTH*G8-8219	219	8																																					
	EMTH*G8-9219	219	8																																						
	H9	EMTH*G8-9273	273	10																				470	395	410	8	160	470	395	25	160	35	590	395	160	30	38	40	31	M30*450
		EMTH*G8-9324	324	12																																					
		EMTH*G8-10356	356	14																																					
	H10	EMTH*G8-10406	406	16																				630	534	530	20	180	630	534	25	168	35	750	534	168	30	38	40	31	M30*560

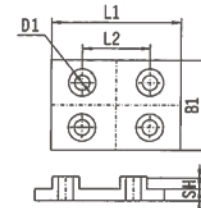
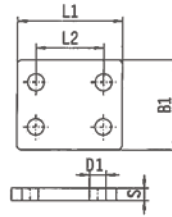
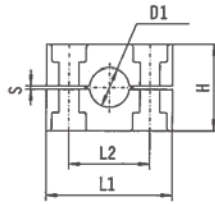
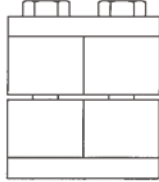
Other form or requirements needs to be expressed by ordering.



**EMTH\*G10**

**EMTH\*G10 Heavy Pipe Clamps**

Outer hexagon head bolt+Twin Cover plate+Twin Clamp body+ Twin weld plate



**▲ Order Code**

**Clamp body**

**Cover plate**

**Twin weld plate**

**Bolt**

- 1.Heavy series, polypropylene,inside grooved=EMTHPG10
- 2.Heavy series, polypropylene,inside smooth= EMTHPS10
- 3.Heavy series, Polyamide,inside grooved= EMTHPG10
- 4. Heavy series, Polyamide, inside smooth= EMTHNS10

Series	Order code	D1Pipe O.D	Inch bore	Inch O.D	Clamp body					Cover plate					Twin weld plate					bolt																			
					L1	L2	H	S	Width	L1	L2	S	B	D1	L1	L2	B1	S	H		D1																		
H1	EMTH*G10-106	6			55	33	32	2	60	55	33	8	60	11	74	33	60	8	8	18	M10*45																		
	EMTH*G10-108	8																																					
	EMTH*G10-109.5	9.5		1/8																																			
	EMTH*G10-110	10	1/8																																				
	EMTH*G10-112.7	12.7		1/2																																			
	EMTH*G10-113.5	13.5	1/4																																				
	EMTH*G10-114	14																																					
	EMTH*G10-115	15																																					
	EMTH*G10-116	16		5/8																																			
	EMTH*G10-117.2	17.2	3/8																																				
H2	EMTH*G10-118	18			70	45	48	2	60	70	45	8	60	11	85	45	60	8	8	18	M10*60																		
	EMTH*G10-218	18																																					
	EMTH*G10-219	19		3/4																																			
	EMTH*G10-220	20																																					
	EMTH*G10-221.3	21.3	1/2																																				
	EMTH*G10-222	22		7/8																																			
	EMTH*G10-225	25		1																																			
	EMTH*G10-226.9	26.9	3/4																																				
	EMTH*G10-228	28																																					
	EMTH*G10-230	30																																					
H3	EMTH*G10-330	30			85	60	60	2	60	85	60	8	60	11	100	60	60	8	8	18	M10*70																		
	EMTH*G10-332	32		1 1/4																																			
	EMTH*G10-333.7	33.7	1																																				
	EMTH*G10-335	35																																					
	EMTH*G10-338	38		1 1/2																																			
	EMTH*G10-340	40																																					
	EMTH*G10-342	42	1 1/4																																				
	EMTH*G10-442	42	1 1/4																																				
	H4	EMTH*G10-444.5	44.5																			1 3/4	115	90	89	3	90	115	90	8	90	14	140	90	90	10	8	20	M12*100
		EMTH*G10-448.3	48.3	1 1/2																																			
EMTH*G10-450.8		50.8		2																																			
EMTH*G10-455		55																																					
EMTH*G10-457		57		2 1/4																																			
EMTH*G10-460.3		60.3	2																																				
EMTH*G10-463		63.5		2 1/2																																			
EMTH*G10-465																																							
EMTH*G10-470																																							
H5		EMTH*G10-570	70			150	122	120	3.5	120	150	122	8	120	18	180	122	120	10	12	24	M16*130																	
	EMTH*G10-575	70																																					
	EMTH*G10-576.1	76.1	2 1/2	3																																			
	EMTH*G10-580	80		3 1/4																																			
	EMTH*G10-582.5	82.5																																					
	EMTH*G10-588.9	88.9	3																																				
	EMTH*G10-688.9	88.9	3																																				
	EMTH*G10-6100	100																																					
	H6	EMTH*G10-6102	102	3 1/2																			205	168	167	4	160	205	168	80	160	22	225	168	160	15	18	30	M20*190
		EMTH*G10-6108	108		4 1/4																																		
EMTH*G10-6114		114	4																																				
EMTH*G10-6127		127		5																																			
EMTH*G10-6133		133		5 1/4																																			
H7	EMTH*G10-7133	133		5 1/4	250	205	200	4	180	250	205	90	180	26	270	205	180	15	21	30	M24*220																		
	EMTH*G10-7140	140	5																																				
	EMTH*G10-7152	152		6																																			
	EMTH*G10-7159	159		6 1/4																																			
	EMTH*G10-7165	165		6 1/2																																			
H8	EMTH*G10-7168	168	6		336	265	270	5	240	336	265	120	240	35	380	265	240	25	38	35	M30*300																		
	EMTH*G10-8168	168	6																																				
	EMTH*G10-8177.8	177.8		7																																			
	EMTH*G10-8193.7	193.7		7 5/8																																			
	EMTH*G10-8216	216		8 1/2																																			
	EMTH*G10-8219	219	8																																				
	EMTH*G10-9219	219	8																																				
H9	EMTH*G10-9273	273	10		470	395	410	8	320	470	395	160	320	35	520	395	320	30	38	40	M30*450																		
	EMTH*G10-9324	324	12																																				
	EMTH*G10-10356	356	14																																				
H10	EMTH*G10-10406	406	16		630	534	530	20	360	630	534	180	360	35	680	534	360	30	38	40	M30*560																		

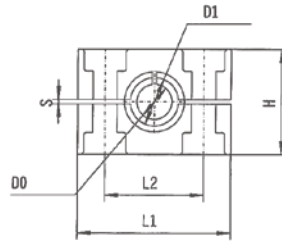
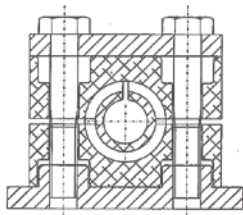
Other form or requirements needs to be expressed by ordering.



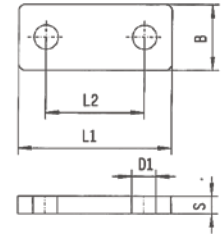
**EMTH\*G11**

**EMTH\*G11 Heavy Anti-vibration Pipe Clamps**

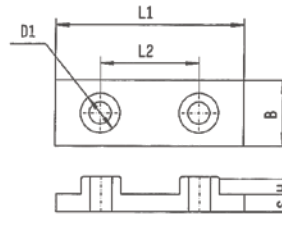
Outer hexagon head bolt+Cover plate+Clamp body+Anti-vibration washer+ weld plate



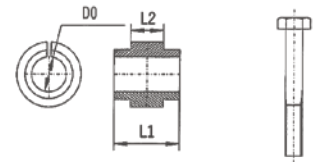
Clamp body



Cover plate



Long weld plate



Anti-vibration washer bolt

- 1. Heavy series, polypropylene, inside grooved=EMTHPG11
- 2. Heavy series, polypropylene, inside smooth= EMTHPS11
- 3. Heavy series, Polyamide, inside grooved= EMTHGP11
- 4. Heavy series, Polyamide, inside smooth= EMTHNS11

Series	Order code	D1Pipe O.D	Inch bore	Inch O.D	Clamp body					Cover plate					Weld plate					Anti-vibration washer			bolt	
					L1	L2	H	S	Width	L1	L2	S	B	D1	L1	L2	B	S	H	D	L1	L2		D0
H1	EMTH*G11-106	6			70	45	48	2	30	70	45	8	30	11	85	45	30	3	8	18	30	16	Ø6-Ø18	M10*60
	EMTH*G11-108	8																						
	EMTH*G11-109.5	9.5		1/8																				
	EMTH*G11-110	10	1/8																					
	EMTH*G11-112.7	12.7		1/2																				
	EMTH*G11-113.5	13.5	1/4																					
	EMTH*G11-114	14																						
	EMTH*G11-115	15																						
	EMTH*G11-116	16		5/8																				
	EMTH*G11-117.2	17.2	3/8																					
H2	EMTH*G11-118	18			85	60	60	2	30	85	60	8	30	11	100	60	30	8	8	18	30	16	Ø18-Ø30	M10*70
	EMTH*G11-218	18																						
	EMTH*G11-219	19		3/4																				
	EMTH*G11-220	20																						
	EMTH*G11-221.3	21.3	1/2																					
	EMTH*G11-222	22		7/8																				
	EMTH*G11-225	25		1																				
	EMTH*G11-226.9	26.9	3/4																					
	EMTH*G11-228	28																						
	EMTH*G11-230	30																						
H3	EMTH*G11-330	30			115	90	89	3	45	115	90	8	45	14	140	90	45	10	8	20	45	25	Ø30-Ø57	M12*100
	EMTH*G11-332	32		1 1/4																				
	EMTH*G11-333.7	33.7	1																					
	EMTH*G11-335	35																						
	EMTH*G11-338	38		1 1/2																				
	EMTH*G11-340	40																						
	EMTH*G11-342	42	1 1/4																					
H4	EMTH*G11-442	42		1 1/4	150	122	120	3	60	150	122	8	60	18	180	122	60	10	12	24	60	30	Ø60-Ø67	M16*130
	EMTH*G11-444.5	44.5		1 3/4																				
	EMTH*G11-448.3	48.3	1 1/2																					
	EMTH*G11-450.8	50.8		2																				
	EMTH*G11-455	55																						
	EMTH*G11-457	57		2 1/4																				
	EMTH*G11-460.3	60.3	2																					
	EMTH*G11-463.5	63.5		2 1/2																				
	EMTH*G11-465	65																						
H5	EMTH*G11-570	70			205	168	167	4	80	205	168	8	80	22	225	168	80	15	18	30	80	40	Ø80-Ø90	M20*19
	EMTH*G11-575	75																						
	EMTH*G11-576.1	76.1	2 1/2	3																				
	EMTH*G11-580	80																						
	EMTH*G11-582.5	82.5		3 1/4																				
	EMTH*G11-588.9	88.9	3																					

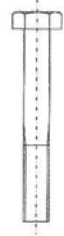
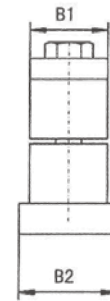
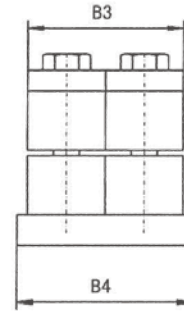
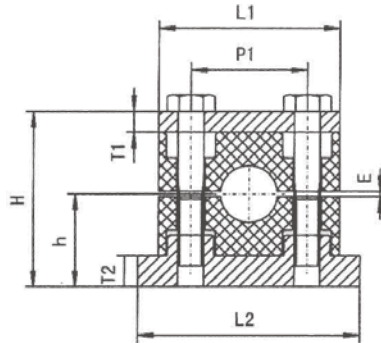
Note.acc to national standard:JB/ZQ4008-97

**EMTH\*G12 EMTH\*G12 Heavy Pipe Clamps**

Outer hexagon head bolt+Cover plate+Clamp body+ Weld plate



Japan standard



Clamp body

Cover plate

Bolt

**▲ Order Code**

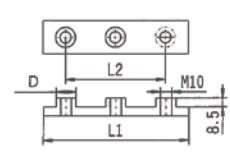
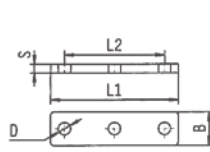
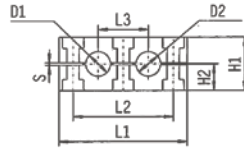
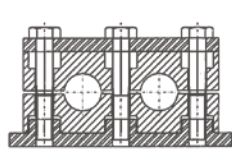
- 1.Heavy series, polypropylene,inside grooved=EMTHPG12
- 2.Heavy series, polypropylene,inside smooth= EMTHPS12
- 3.Heavy series, Polyamide,inside grooved= EMTHPG12
- 4. Heavy series, Polyamide, inside smooth= EMTHNS12

Series	Order code	PipeO.D	PipeO.D		Pipe clamp mark														Screw
			Japan standard		D	L1	L2	B1	B2	B3	B4	E	T1	T2	H	h	P1		
			A	B															
B1	EMTH*G12 106~118	6~18	6	2/5	10.5	10.5	55	73	30	38	60	65	2	8	12	52	28	33	M10*45
			8	1/4	13.8	13.8													
			10	3/4	17.3	17.3													
B2	EMTH*G12 218~228	18~28	15	1/2	21.7	21.7	70	85	30	38	60	65	2	8	12	68	36	45	M10*60
			20	3/4	27.2	27.2													
B3	EMTH*G12 330~342	30~42	25	1	34	34	85	100	30	38	60	65	2	8	12	80	42	60	M10*70
			32	11/1	42.7	42.7													
B4	EMTH*G12 438~470	38~70	40	11/2	18.6	48.6	115	150	45	50	90	100	3	10	16	116	61	90	M10*105
			50	2	60.5	60.5													
B5	EMTH*G12 576~589	76~89	65	21/2	76.3	76.3	155	200	50	65	120	125	3	10	16	146	76	122	M10*135
			80	3	89.1	89.1													
B6	EMTH*G12 690~6114	90~127	90	31/2	106.6	106.6	205	270	80	90	160	180	3	15	20	204	104	168	M10*200
			100	4	114.3	114.3													
B7	EMTH*G12 7133~7168	133~168	125	5	139.8	139.8	250	310	90	100	180	200	3	15	20	234	119	206	M10*230
			150	6	165.2	165.2													
B8	EMTH*G12 8170~8219	170~219	175	7	190.7	190.7	336	400	120	130	240	260	3	25	25	320	160	265	M10*300
			200	8	216.3	216.3													
B9	EMTH*G12 9240~9340	240~340	225	9	241.8	241.8	466	520	160	170	320	340	10	30	30	470	235	395	M10*450
			260	10	267.4	267.4													
			300	12	318.5	318.5													
B10	EMTH*G12 0~103406	350~406	350	14	355.5	355.5	630	680	180	190	360	380	30	36	36	607	301	537	M10*580
			400	16	406.4	406.4													

Other form or requirements needs to be expressed by ordering.

**EMTH\*G13** **EMTH\*G13 Twin Heavy Pipe Clamps**

Inner (Outer) hexagon head bolt+Cover plate+Clamp body+ Weld plate



Clamp body

Cover plate

Weld plate

Bolt

▲ Order Code

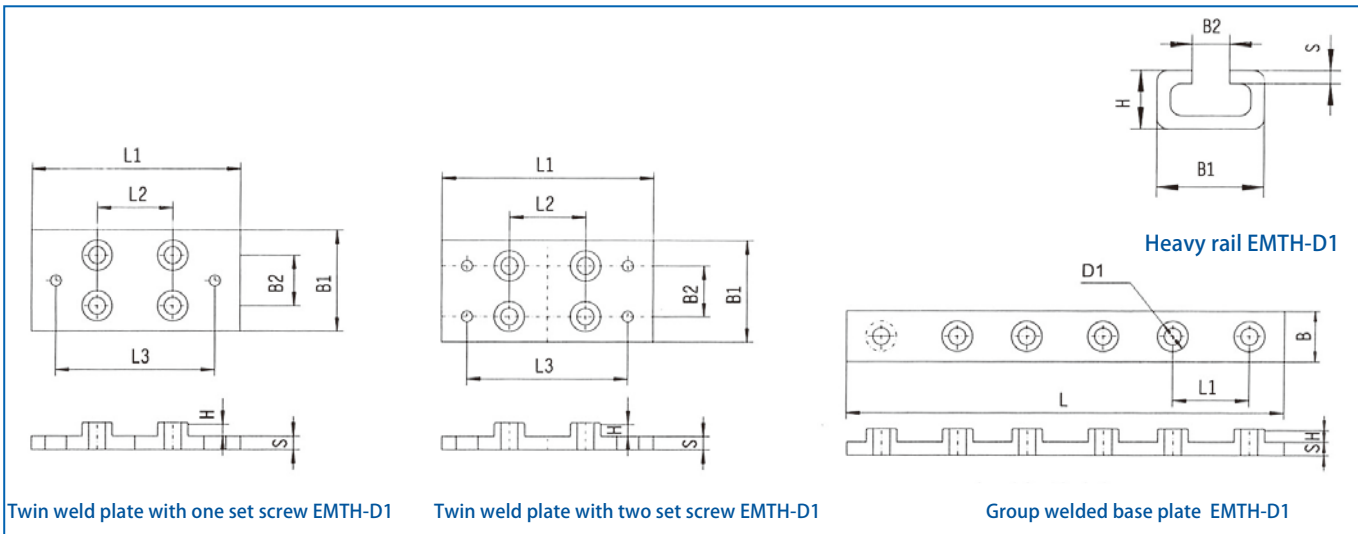
- 1.Heavy series, polypropylene,inside grooved=EMTHPG13
- 2.Heavy series, polypropylene,inside smooth= EMTHPS13
- 3.Heavy series, Polyamide,inside grooved= EMTHPG13
- 4. Heavy series, Polyamide, inside smooth= EMTHNS13

Series	Order code	Pipe D1/D2	Clamp body						Weld plate						Cover plate					Boit
			L1	L2	L3	H1	H1	Width	L1	L2	B	S	H	D	L1	L2	B	S	D	
H1	EMTH*G13 119/119	119/119	115	90	45	48	24	30	130	90	30	8	8.5	18	115	90	30	8	11	M10*60
	EMTH*G13 220/220	220/220																		
	EMTH*G13 221.4/221.4	221.4/221.4																		
	EMTH*G13 222/222	222/222																		
	EMTH*G13 225.4/225.4	225.4/225.4																		
	EMTH*G13 226.9/226.9	226.9/226.9																		
H2	EMTH*G13 332/332	332/332	114	120	60	60	30	30	160	120	30	8	8.5	18	144	120	30	8	11	M10*70
	EMTH*G13 333.7/333.7	333.7/333.7																		
	EMTH*G13 338/338	338/338																		
	EMTH*G13 440/440	440/440																		
	EMTH*G13 442/442	442/442																		

Note.acc to national standard:JB/ZQ4008-97

**EMTHD\***

**EMTHD\*Alternative Bottom Plate For Heavy Pipe Clamps**



Series	Order code	Heavy Rial EMTH-D1				Twin Weld Plate One Set Screw EMTH-D1				Group Weld Base Plate EMTH-D1							
		B1	B2	S	H	L1	L2	L3	B1	B2	S	H	L1	B	S	H	ØD1
H1	EMTH-D*-106	40	14	5	22	113	33	85	60	30	8	8	33	30	8	8	18
	EMTH-D*-108																
	EMTH-D*-109.5																
	EMTH-D*-110																
	EMTH-D*-112.7																
	EMTH-D*-113.5																
	EMTH-D*-114																
	EMTH-D*-115																
	EMTH-D*-116																
	EMTH-D*-117.2																
H2	EMTH-D*-118	40	14	5	22	125	45	97	60	30	8	8	45	30	8	8	18
	EMTH-D*-218																
	EMTH-D*-219																
	EMTH-D*-220																
	EMTH-D*-221.3																
	EMTH-D*-222																
	EMTH-D*-225																
	EMTH-D*-226.9																
	EMTH-D*-228																
	EMTH-D*-230																
H3	EMTH-D*-330	40	14	5	22	140	60	112	60	30	8	8	60	30	8	8	18
	EMTH-D*-332																
	EMTH-D*-333.7																
	EMTH-D*-335																
	EMTH-D*-338																
	EMTH-D*-340																
	EMTH-D*-342																
	EMTH-D*-442																
	EMTH-D*-444.5																
	EMTH-D*-448.3																
H4	EMTH-D*-450.8	40	14	5	22	187	90	155	90	46	10	10					
	EMTH-D*-455																
	EMTH-D*-457																
	EMTH-D*-460.3																
	EMTH-D*-463.5																
	EMTH-D*-465																
	EMTH-D*-470																
	EMTH-D*-570																
	EMTH-D*-575																
	EMTH-D*-576.1																
H5	EMTH-D*-580					238	122	198	120	61	10	12					
	EMTH-D*-582.5																
	EMTH-D*-588.9																
	EMTH-D*-688.9																
	EMTH-D*-6100																
H6	EMTH-D*-6102					309	168	259	160	81	15	18					
	EMTH-D*-6108																
	EMTH-D*-6114																
	EMTH-D*-6127																
	EMTH-D*-6133																
H7	EMTH-D*-7133					370	205	310	180	91	15	21					
	EMTH-D*-7140																
	EMTH-D*-7152																
	EMTH-D*-7159																
	EMTH-D*-7165																
H8	EMTH-D*-7168					440	265	380	240	121	25	21					
	EMTH-D*-8168																
	EMTH-D*-8177.8																
	EMTH-D*-8193.7																
	EMTH-D*-8216																
H9	EMTH-D*-8219					590	395	530	324	166	30	38					
	EMTH-D*-9219																
	EMTH-D*-9273																
H10	EMTH-D*-9324					750	534	690	394	186	30	38					
	EMTH-D*-10356																
	EMTH-D*-10406																

Other form or requirements needs to be expressed by ordering.

**EMTB\*1** **EMTB\*1 Small Pipe Clamps**

Applicable for compressed air pipeline ,ships,vehicles,machine manufacturing,cables,hoses,measuring and cintrol,equipment and machine tools.

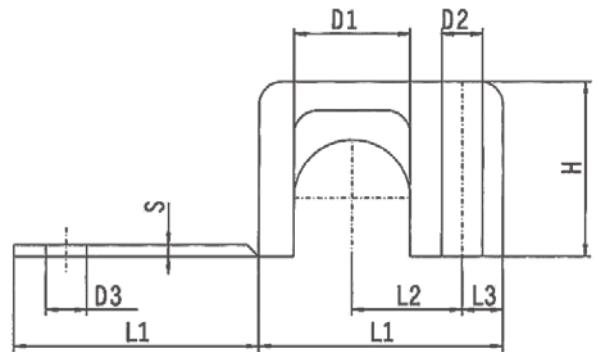
EMTBP1-Engineering polypropylene grooved inside light pipe clamps,work temperture-30~+90° C

EMTBN1-Reinforced polyamide grooved inside light pipe clamps,work temperture-40~+120° C

EMTBG1-Steel light hole groove type pipe clamp,work temperture-80~+500° C

EMTBB1-Stainless steel light hole concave type pipe clamp,work temperture-80~+500° C

The company may in accordance with customer requirements ( Design ) production or use of other material and diameter of pipe



Series	Order code	PipeO.D D1	I.D.,Inch	InchO.D	L1	L2	L3	Width	H	S	D3	D4
1	EMTB*1-106	06			22	9	7	12	10	2	7	7
	EMTB*1-106.4	06.4		1/4								
	EMTB*1-108	08										
2	EMTB*1-209.5	09.5		3/8	27	11	7	16	15	2	7	7
	EMTB*1-210	10	1/8									
	EMTB*1-212	12										
3	EMTB*1-312.7	12.7		1/2	34	15	7	20	22	2	7	7
	EMTB*1-313.5	13.5	1/4									
	EMTB*1-314	14										
	EMTB*1-315	15										
	EMTB*1-316	16		5/8								
	EMTB*1-317.2	17.2	3/8									
4	EMTB*1-419	19		3/4	42	19	7	20	30	2	7	7
	EMTB*1-420	20										
	EMTB*1-421.3	21.3	1/2									
	EMTB*1-422	22										
	EMTB*1-425	25		1								

Note.acc to national standard:JB/ZQ4008-97

**EMTB\*2 EMTB\*2 Small Pipe Clamps**

Applicable for compressed air pipeline ,ships,vehicles,machine manufacturing,cables,hoses,measuring and cintrol,equipment and machine tools.

EMTBP2-Engineering polypropylene grooved inside light pipe clamps,work temperture-30~+90° C

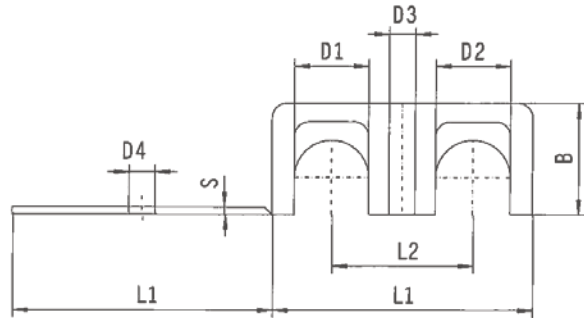
EMTBN2-Reinforced polyamide grooved inside light pipe clamps,work temperture-40~+120° C

EMTBG2-Steel light hole groove type pipe clamp,work temperture-80~+500° C

EMTBB2-Stainless steel light hole concave type pipe clamp,work temperture-80~+500° C

Note: in the same series tube outer diameter can be different. For example Ø16、Ø18EMTB\*2-216/218

The company may in accordance with customer requirements ( Design ) production or use of other material and diameter of pipe



Series	Order code	Pipe O.D D1	I.D.,Inch	Inch O.D	L1	L2	L3	Width	H	S	D3	D4
1	EMTB*2-106	0 6			22	9	7	12	10	2	7	7
	EMTB*2-106.4	06.4	1/4									
	EMTB*2-108	08										
2	EMTB*2-209.5	09.5		3/8	27	11	7	16	15	2	7	7
	EMTB*2-210	10	1/8									
	EMTB*2-212	12										
3	EMTB*2-312.7	12.7		1/2	34	15	7	20	22	2	7	7
	EMTB*2-313.5	13.5	1/4									
	EMTB*2-314	14										
	EMTB*2-315	15										
	EMTB*2-316	16	5/8									
	EMTB*2-317.2	17.2	3/8									
4	EMTB*2-419	19		3/4	42	19	7	20	30	2	7	7
	EMTB*2-420	20										
	EMTB*2-421.3	21.3	1/2									
	EMTB*2-422	22										
	EMTB*2-425	25	1									

Other form or requirements needs to be expressed by ordering.

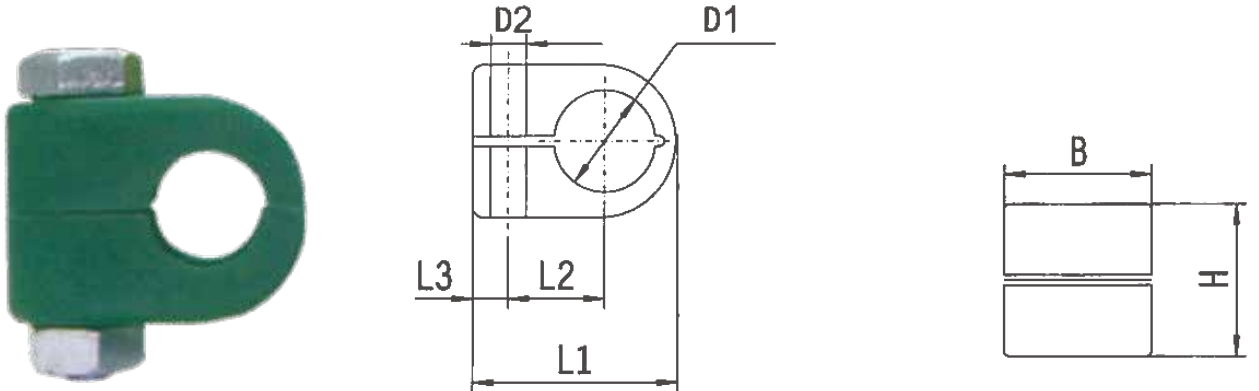
**EMTB\*3** **EMTLB\*3 Small Pipe Clamps**

Applicable for compressed air pipeline ,ships,vehicles,machine manufacturing,cables,hoses,measuring and cintrol,equipment and machine tools.

EMTBP3-Engineering polypropylene grooved inside light pipe clamps,work temperture-30~+90° C

EMTBN3-Reinforced polyamide grooved inside light pipe clamps,work temperture-40~+120° C

The company may in accordance with customer requirements ( Design ) production or use of other material and diameter of pipe



Series	Order code	PipeO.D D1	I.D.,Inch	InchO.D	L1	L2	L3	B	H	D2
1	EMTB*3-106	0 6			22	9	7	14.5	13.5	7
	EMTB*3-106.4	06.4		1/4						
	EMTB*3-108	08								
2	EMTB*3-209.5	09.5		3/8	27	11	7	14.5	18.5	7
	EMTB*3-210	10	1/8							
	EMTB*3-212	12								
3	EMTB*3-312.7	12.7		1/2	34	15	7	14.5	23.5	7
	EMTB*3-313.5	13.5	1/4							
	EMTB*3-314	14								
	EMTB*3-315	15								
	EMTB*3-316	16		5/8						
	EMTB*3-317.2	17.2	3/8							
4	EMTB*3-419	19		3/4	42	19	7	14.5	30.5	7
	EMTB*3-420	20								
	EMTB*3-421.3	21.3	1/2							
	EMTB*3-422	22		1						

Note.acc to national standard:JB/ZQ4008-97

**EMTB\*4** **EMTB\*4Small Pipe Clamps**

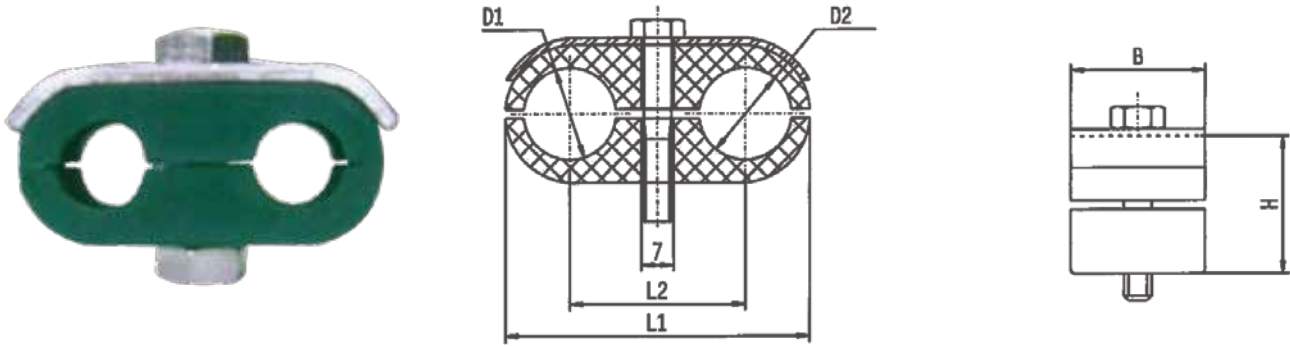
Applicable for compressed air pipeline ,ships,vehicles,machine manufacturing,cables,hoses,measuring and cintrol,equipment and machine tools.

EMTBP4-Engineering polypropylene grooved inside light pipe clamps,work temperture-30~+90° C

EMTBN4-Reinforced polyamide grooved inside light pipe clamps,work temperture-40~+120° C

Note: in the same series tube outer diameter can be different. For example Ø16、Ø18EMTB\*2-216/218

The company may in accordance with customer requirements ( Design ) production or use of other material and diameter of pipe



Series	Order code	PipeO.D D1	I.D.,Inch	InchO.D	L1	L2	B	H
1	EMTB*4-106/106	0 6			32	18	14.5	13.5
	EMTB*4-106.4/106.4	06.4		1/4				
	EMTB*4-108/108	08						
2	EMTB*4-208/208	08			41	22	14.5	18.5
	EMTB*4-209.5/209.5	09.5		3/8				
	EMTB*4-210/210	10	1/8					
	EMTB*4-212/212	12						
	EMTB*4-212.7/212.7	12.7		1/2				
3	EMTB*4-310/310	10	1/8		54	30	14.5	23.5
	EMTB*4-312/312	12						
	EMTB*4-312.7/312.7	12.7		1/2				
	EMTB*4-313.5/313.5	13.5	1/4					
	EMTB*4-314/314	14						
	EMTB*4-315/315	15						
4	EMTB*4-316/316	16		5/8	7	38	14.5	30.5
	EMTB*4-414/414	14						
	EMTB*4-415/415	15						
	EMTB*4-416/416	16		5/8				
	EMTB*4-417.2/417.2	17.2	3/8					
	EMTB*4-418/418	18						
	EMTB*4-419/419	19		3/4				
	EMTB*4-420/420	20						
	EMTB*4-421.3/421.3	21.3	1/2					
EMTB*4-422/422	22		1					

Other form or requirements needs to be expressed by ordering.



EMTGJ×1\*~\*\*

EMTGJ×1\*~\*\*Single Pipe Clamps

This product is suitable for oil, water and gas pipes in the mechanical hydraulic system in the following areas: the metallurgy, the petroleum, the chemical industry, the vehicles, the ships, electric power and etc.

EMT	GJ	1	*	**
EMT Clamp	EMT Specifications	Model structure	Texture of material	Pipe diameter

The clamp surface is zinc plated. Different treatments upon request

Other materials and pipe o.d. upon request.



Composition: clamp body, plate and bolt



Pipe clamp body material:

EMTGJ×1C~\*\* carbon steel single pipe clamp without plate

EMTGJ×1C~\*\*A ( B ) carbon steel single pipe clamp with plate

EMTGJ×1B~\*\* stainless steel single pipe clamp without plate

EMTGJ×1B~\*\*A ( B ) stainless steel single pipe clamp with plate

Acc. to national standard :

JB/ZQ 4492-97 JB/ZQ 4492-97  
JB/ZQ 4499-97 JB/ZQ 4499-97



Order model:

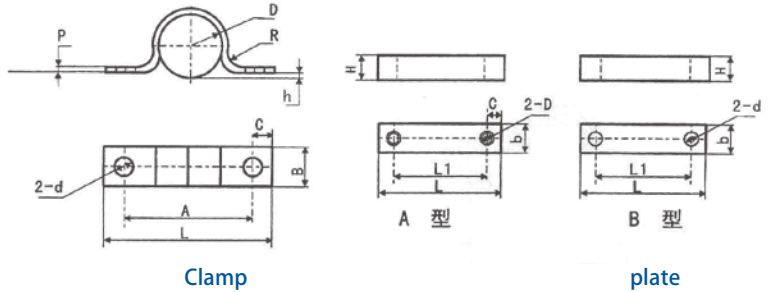
Take pipe outside diameter 16 as an example

carbon steel single pipe clamp EMTGJ x 1C-16 (without plate)

carbon steel single pipe clamp EMTGJ x 1C-16A(B) (with plate)

stainless steel single pipe clamp EMTGJ x 1B-16 (without plate)

stainless steel single pipe clamp EMTGJ x 1B-16A(B) (with plate)



Clamp

plate

Order code Ø	D	P	h	C	A	L	B	R	d	Weld plate	L	b	H	L1	C	D	d
6	6	2	2	7.5	25	40	15	2	7	Weld plate	40	15	8	25	7.5	M6	7
8	8	2	2	7.5	28	43	15	2	7	Weld plate	43	15	8	28	7.5	M6	7
10	10	2	2	7.5	30	45	15	2	7	Weld plate	45	15	8	30	7.5	M6	7
12	12	2	2	7.5	32	47	15	2	7	Weld plate	47	15	8	32	7.5	M6	7
14	14	2	2	7.5	35	50	15	2	7	Weld plate	50	15	8	35	7.5	M6	7
16	16	2	2	7.5	38	53	15	2	7	Weld plate	53	15	8	38	7.5	M6	7
18	18	2	2	7.5	40	55	15	2	7	Weld plate	55	15	8	40	7.5	M6	7
22	22	2	2	7.5	45	60	15	2	7	Weld plate	60	15	8	45	7.5	M6	7
24	24	2	2	7.5	48	63	15	2	7	Weld plate	63	15	8	48	7.5	M6	7
28	28	2	2	7.5	50	65	15	2	7	Weld plate	65	15	8	50	7.5	M6	7
34	34	3	5	10	65	85	20	3	9	Weld plate	85	20	14	65	10	M8	9
42	42	3	5	10	70	90	20	3	9	Weld plate	90	20	14	70	10	M8	9
48	48	3	5	10	80	100	20	3	9	Weld plate	100	20	14	80	10	M8	9
60	60	3	5	10	90	110	20	3	9	Weld plate	110	20	14	90	10	M8	9
76	76	4	5	12.5	110	135	25	3	9	Weld plate	135	25	14	110	12.5	M8	9
89	89	4	5	12.5	125	150	25	3	9	Weld plate	150	25	14	125	12.5	M8	9

Note.acc to national standard:JB/ZQ4008-97

**EMTGJ×2\*~\*\***

**EMTGJ×2\*~\*\*Twin Pipe Clamps**

This product is suitable for oil, water and gas pipes in the mechanical hydraulic system in the following areas: the metallurgy, the petroleum, the chemical industry, the vehicles, the ships, electric power and etc.

EMT	GJ	2	*	**
EMT Clamp	EMT Specifications	Model structure	Texture of material	Pipe diameter

The clamp surface is zinc plated. Different treatments upon request

Other materials and pipe o.d. upon request.

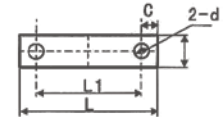
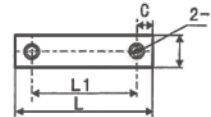
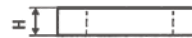
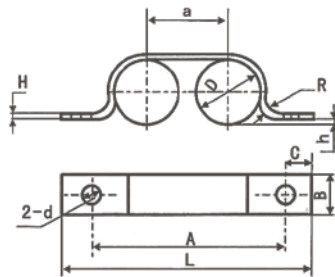
- ▲ Composition: clamp body, plate and bolt
- ▲ Pipe clamp body material:

- EMTGJ×2C~\*\* carbon steel single pipe clamp without plate
- EMTGJ×2C~\*\*A ( B ) carbon steel single pipe clamp with plate
- EMTGJ×2B~\*\* stainless steel single pipe clamp without plate
- EMTGJ×2B~\*\*A ( B ) stainless steel single pipe clamp with plate

- ▲ Order model:

- Take pipe outside diameter 16 as an example
- carbon steel single pipe clamp EMTGJ x 1C-16 (without plate)
- carbon steel single pipe clamp EMTGJ x 2C-16A(B) (with plate)
- stainless steel single pipe clamp EMTGJ x 2B-16 (without plate)
- stainless steel single pipe clamp EMTGJ x 2B-16A(B) (with plate)

Acc. IO national standard :  
 JB/ZQ 4494-97 Clamp JB/ZQ 4494-97  
 JB/ZQ 4500-97 plate JB/ZQ 4500-97



A型

B型

Clamp

plate

Order code Ø	D	P	h	C	A	L	a	B	R	d	Weld plate	L	b	H	L1	C	D	d
6	6	2	2	7.5	35	50	10	15	2	7	Weld plate	50	15	8	35	7.5	M6	7
8	8	2	2	7.5	40	55	12	15	2	7	Weld plate	55	15	8	40	7.5	M6	7
10	10	2	2	7.5	44	59	14	15	2	7	Weld plate	59	15	8	44	7.5	M6	7
12	12	2	2	7.5	48	63	16	15	2	7	Weld plate	63	15	8	48	7.5	M6	7
14	14	2	2	7.5	54	69	18	15	2	7	Weld plate	69	15	8	54	7.5	M6	7
16	16	2	2	7.5	58	73	20	15	2	7	Weld plate	73	15	8	58	7.5	M6	7
18	18	2	2	7.5	62	77	22	15	2	7	Weld plate	77	15	8	62	7.5	M6	7
22	22	2	2	7.5	72	87	26	15	2	7	Weld plate	87	15	8	72	7.5	M6	7
24	24	2	2	7.5	76	91	28	15	2	7	Weld plate	91	15	8	76	7.5	M6	7
28	28	2	2	7.5	82	97	32	15	2	7	Weld plate	97	15	8	82	7.5	M6	7
34	34	3	5	10	104	124	38	20	3	9	Weld plate	124	20	14	104	10	M8	9
42	42	3	5	10	116	136	46	20	3	9	Weld plate	136	20	14	116	10	M8	9
48	48	3	5	10	134	156	54	20	3	9	Weld plate	156	20	14	134	10	M8	9
60	60	3	5	10	155	175	65	20	3	9	Weld plate	175	20	14	155	10	M8	9

Other form or requirements needs to be expressed by ordering.

**EMTGJ×3\*\_\*\***

**EMTGJ×3\*\_\*\*Three Pipe Clamps**

▲ This product is suitable for oil, water and Pipes in the mechanical hydraulic system in the following areas: the metallurgy, the petroleum, the chemical industry, the vehicles, the ships, electric power and etc.

EMT	GJ	3	*	**
EMT Clamp	EMT Specifications	Model structure	Texture of material	Pipe diameter

The clamp surface is zinc plated. Different treatments upon request

Other materials and pipe o.d. upon request.

- ▲ Composition: clamp body, plate and bolt
- ▲ Pipe clamp body material:

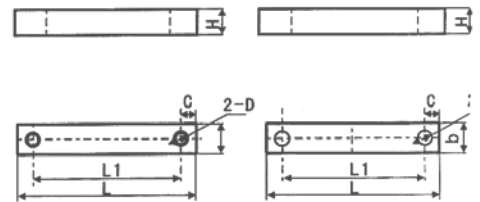
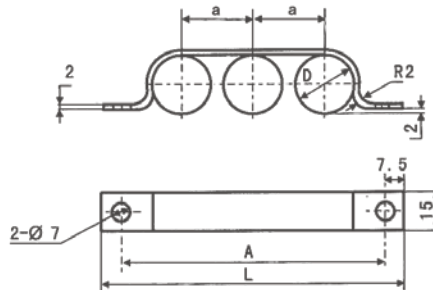
- EMTGJ×3C-\*\* carbon steel three pipe clamp without plate
- EMTGJ×3C-\*\*A (B) carbon steel three pipe clamp with plate
- EMTGJ×3B-\*\* stainless steel three pipe clamp without plate
- EMTGJ×3B-\*\*A (B) stainless steel three pipe clamp with plate

▲ Order model:

- Take pipe outside diameter 16 as an example
- carbon steel three pipe clamp EMTGJ x 1C-16 (without plate)
- carbon steel three pipe clamp EMTGJ x 1C-16A(B) (with plate)
- stainless steel three pipe clamp EMTGJ x 1B-16 (without plate)
- stainless steel three pipe clamp EMTGJ x 1B-16A(B) (with plate)

Acc. International standard :

- JB/ZQ 4495-97 Clamp JB/ZQ 4495-97
- JB/ZQ 4502-97 plate JB/ZQ 4502-97



Clamp

plate

Order code Ø	D	A	L	a	Weld plate	L	b	H	L1	C	D	d
6	6	45	60	10	Weld plate	60	15	8	45	7.5	M6	7
8	8	52	67	12	Weld plate	67	15	8	52	7.5	M6	7
10	10	58	73	14	Weld plate	73	15	8	58	7.5	M6	7
12	12	64	79	16	Weld plate	79	15	8	64	7.5	M6	7
14	14	72	87	18	Weld plate	87	15	8	72	7.5	M6	7
16	16	78	93	20	Weld plate	93	15	8	78	7.5	M6	7
18	18	84	99	22	Weld plate	99	15	8	84	7.5	M6	7
22	22	98	113	26	Weld plate	113	15	8	98	7.5	M6	7
24	24	104	119	28	Weld plate	119	15	8	104	7.5	M6	7
28	28	114	129	32	Weld plate	129	15	8	114	7.5	M6	7

Note.acc to national standard:JB/ZQ4008-97

**EMTGJ × 4\* - \*\* Four Pipe Clamps**

▲ This product is suitable for oil, water and gas pipes in the mechanical hydraulic system in the following areas: the metallurgy, the petroleum, the chemical industry, the vehicles, the ships, electric power and etc.

EMT	GJ	4	*	**
EMT Clamp	EMT Specifications	Model structure	Texture of material	Pipe diameter

The clamp surface is zinc plated. Different treatments upon request  
Other materials and pipe o.d. upon request.

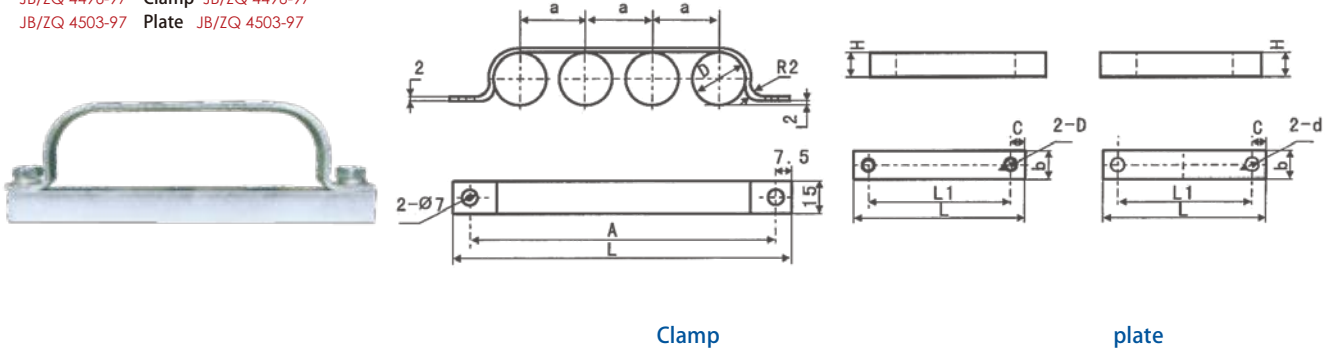
- ▲ Composition: clamp body, plate and bolt
- ▲ Pipe clamp body material:

- EMTGJ × 4C-\*\* carbon steel four pipe clamp without plate
- EMTGJ × 4C-\*\*A (B) carbon steel four pipe clamp with plate
- EMTGJ × 4B-\*\* stainless steel four pipe clamp without plate
- EMTGJ × 4B-\*\*A (B) stainless steel four pipe clamp with plate

▲ Order model:

- Take pipe outside diameter 16 as an example
- carbon steel four pipe clamp EMTGJ x 4C-16 (without plate)
- carbon steel four pipe clamp EMTGJ x 4C-16A(B) (with plate)
- stainless steel four pipe clamp EMTGJ x 4B-16 (without plate)
- stainless steel four pipe clamp EMTGJ x 4B-16A(B) (with plate)

Acc. International standard :  
JB/ZQ 4496-97 Clamp JB/ZQ 4496-97  
JB/ZQ 4503-97 Plate JB/ZQ 4503-97



Order code	D	A	L	a	Weld plate	L	b	H	L1	C	D	d
6	6	55	70	10	Weld plate	70	15	8	55	7.5	M6	7
8	8	64	79	12	Weld plate	79	15	8	64	7.5	M6	7
10	10	72	87	14	Weld plate	87	15	8	72	7.5	M6	7
12	12	80	95	16	Weld plate	95	15	8	80	7.5	M6	7
14	14	90	105	18	Weld plate	105	15	8	90	7.5	M6	7
16	16	98	113	20	Weld plate	113	15	8	98	7.5	M6	7
18	18	106	121	22	Weld plate	121	15	8	106	7.5	M6	7
22	22	124	139	26	Weld plate	139	15	8	124	7.5	M6	7
24	24	134	147	28	Weld plate	147	15	8	134	7.5	M6	7
28	28	146	161	32	Weld plate	161	15	8	146	7.5	M6	7

Other form or requirements needs to be expressed by ordering.

EMTGJ x \*\*\_\*\*

EMTGJ x \*\*\_\*\* Multiple Pipe Clamps

▲ This product is suitable for oil, water and gas pipes in the mechanical hydraulic system in the following areas: the metallurgy, the petroleum, the chemical industry, the vehicles, the ships, electric power and etc.

**EMTGJ x 5\_\*\*\_\*\* Five Pipe Clamps**

**Order model:**  
Take pipe outside diameter 6 as an example  
Carbon teal five-pipe clamp EMTGJx5C-6 (without plate)    Carbon stainless steel five-pipe clamp EMTGJ x 5C-6A(B) (with plate)  
Stainless steel five-pipe clamp EMTGJx5B-6 (without plate)    Stainless steel five-pipe clamp EMTGJ x 5B-6A(B) (with plate)

**Note: for pipe o,d. 6-12**

**EMTGJ x 6\_\*\*\_\*\* Six Pipe Clamps**

**Order model:**  
Take pipe outside diameter 6 as an example  
Carbon teal six-pipe clamp EMTGJx 6C-6 (without plate)    Carbon stainless steel six-pipe clamp EMTGJ x 6C-6A(B) (with plate)  
Stainless steel six-pipe clamp EMTGJ x 6B-6 (without plate)    Stainless steel six-pipe clamp EMTGJ x 6B-6A(B) (with plate)

**Note: for pipe o,d. 6-12**

**EMTGJ x 7\_\*\*\_\*\* Seven Pipe Clamps**

**Order model:**  
Take pipe outside diameter 6 as an example  
Carbon teal seven-pipe clamp EMTGJx 7C-6 (without plate)    Carbon stainless steel seven-pipe clamp EMTGJ x 7C-6A(B) (with plate)  
Stainless steel seven-pipe clamp EMTGJx 7B-6 (without plate)    Stainless steel seven-pipe clamp EMTGJ x 7B-6A(B) (with plate)

**Note: for pipe o,d. 6-12**

**EMTGJ x 8\_\*\*\_\*\* Eight Pipe Clamps**

**Order model:**  
Take pipe outside diameter 6 as an example  
Carbon teal eight-pipe clamp EMTGJ x8C-6 (without plate)    Carbon stainless steel eight-pipe clamp EMTGJ x8C-6A(B) (with plate)  
Stainless steel eight-pipe clamp EMTGJ x8B-6 (without plate)    Stainless steel eight-pipe clamp EMTGJ x8B-6A(B) (with plate)

**Note: for pipe o,d. 6-12**

**EMTGJ x 9\_\*\*\_\*\* Nine Pipe Clamps**

**Order model:**  
Take pipe outside diameter 6 as an example  
Carbon teal nine-pipe clamp EMTGJx 9C-6 (without plate)    Carbon stainless steel nine-pipe clamp EMTGJ x 9C-6A(B) (with plate)  
Stainless steel nine-pipe clamp EMTGJx 9B-6 (without plate)    Stainless steel nine-pipe clamp EMTGJ x9B-6A(B) (with plate)

**Note: for pipe o,d. 6-12**

**EMTGJ x 10\_\*\*\_\*\* Ten Pipe Clamps**

**Order model:**  
Take pipe outside diameter 6 as an example  
Carbon teal ten-pipe clamp EMTGJ x10C-6 (without plate)    Carbon stainless steel ten-pipe clamp EMTGJ x10C-6A(B) (with plate)  
Stainless steel ten-pipe clamp EMTGJ x10B-6 (without plate)    Stainless steel ten-pipe clamp EMTGJ x10B-6A(B) (with plate)

**Note: for pipe o,d. 6-12**

**EMTGJ x 11\_\*\*\_\*\* Eleven Pipe Clamps**

**Order model:**  
Take pipe outside diameter 6 as an example  
Carbon teal eleven-pipe clamp EMTGJ x11C-6 (without plate)    Carbon stainless steel eleven-pipe clamp EMTGJ x 11C-6A(B) (with plate)  
Stainless steel eleven-pipe clamp EMTGJ x11B-6 (without plate)    Stainless steel eleven-pipe clamp EMTGJ x 11B-6A(B) (with plate)

**Note: for pipe o,d. 6-12**

**EMTGJ x 12\_\*\*\_\*\* Twelve Pipe Clamps**

**Order model:**  
Take pipe outside diameter 6 as an example  
Carbon teal twelve-pipe clamp EMTGJ x12C-6 (without plate)    Carbon stainless steel twelve-pipe clamp EMTGJ x 12C-6A(B) (with plate)  
Stainless steel twelve-pipe clamp EMTGJ x12B-6 (without plate)    Stainless steel twelve-pipe clamp EMTGJ x12B-6A(B) (with plate)

**Note: for pipe o,d. 6-12**

Note.acc to national standard:JB/ZQ4008-97

## EMTGJA\*-\*

## EMTGJA\*-\*tightening thick pipe clamps

EMT	GJ	A	*	**
EMT Clamp	EMT Specifications	Model structure	Texture of material	Pipe diameter

GJ : steel pipe clamp

A : tightening thick pipe clamp

The clamp surface is zinc plated. Different treatments upon request

Other materials and pipe o.d. upon request.



Composition: clamp body  
Pipe clamp body material:

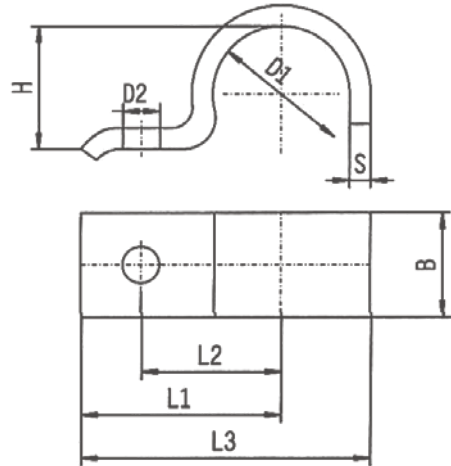
EMTGJAC\*-\* carbon steel pipe clamp

EMTGJAB\*-\* stainless steel pipe clamp

Order model:

carbon steel tightening pipe clamp EMTGJAC-16

stainless steel tightening pipe clamp EMTGJAB-16



Order code	Tightening range $\varnothing D1$	L1	L2	L3	H	D2	B	S
EMTGJA*-7	5.5-7	22	14	27.5	5	7	16	2
EMTGJA*-9	7-9	27	18	33.5	6		20	
EMTGJA*-13	9.5-13	40	25	49.5	9	11	25	3
EMTGJA*-15.5	13-15.5	41	26	52	12			
EMTGJA*-19	15.5-19	43	28	55.5	15			
EMTGJA*-23	20-23	51	35	67	19	14	30	5
EMTGJA*-26	23-26	52	36	70	22			
EMTGJA*-28.5	26-28.5	53	37	73	24			
EMTGJA*-31	28.5-31	55	39	75.5	27	14	40	5
EMTGJA*-36	33-36	57	41	81	32			
EMTGJA*-39	36-39	59	43	83.5	34			
EMTGJA*-43	39-43	68	48	94.5	38	18	40	8
EMTGJA*-46	43-46	70	50	98	41			
EMTGJA*-49	46-49	73	53	105.5	44			
EMTGJA*-52	49-52	76	56	110	47	14	40	8
EMTGJA*-58	53-58	78	58	115	52			
EMTGJA*-61	58-61	80	60	118.5	57			

Other form or requirements needs to be expressed by ordering.

**EMTGJB\*-\*\*** **EMTGJB\*-\*\*tightening thick pipe clamps**

EMT	GJ	B	*	**
EMT Clamp	EMT Specifications	Model structure	Texture of material	Pipe diameter

Composition:clamp body  
Pipe clamp body material:

Order model:

EMTGJBC\*-\*\* carbon steel pipe clamp

carbon steel tightening pipe clamp EMTGJBC~16

EMTGJAB\*-\*\* stainless steel pipe clamp

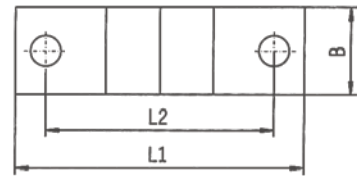
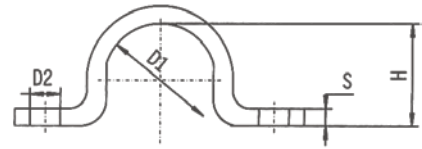
stainless steel tightening pipe clamp EMTGJBB~16

GJ : steel pipe clamp

B : tightening thick pipe clamp

The clamp surface is zinc plated. Different treatments upon request

Other materials and pipe o.d. upon request.



Order code	Tightening rangeØD1	L1	L2	H	D	B	S
EMTGJB*-7	5.8-7	44	28	5	7	16	2
EMTGJB*-9	7-9	48	32	6	7	20	
EMTGJB*-13	9.5-13	52	36	9			
EMTGJB*-15.5	13-15.5	56	40	12			
EMTGJB*-19	15.5-19	60	44	15			
EMTGJB*-23	20-23	82	56	19			11
EMTGJB*-26	23-26	84	58	22			
EMTGJB*-28.5	26-28.5	90	64	24			
EMTGJB*-31	28.5-31	90	64	27			
EMTGJB*-36	33-36	106	80	32			
EMTGJB*-39	36-39	110	84	34	14	30	5
EMTGJB*-43	39-43	120	88	38			
EMTGJB*-46	43-46	122	90	41			
EMTGJB*-49	46-49	122	90	44			
EMTGJB*-58	53-58	142	110	52			
EMTGJB*-61	58-61	142	110	57	14	40	5
EMTGJB*-71	67-71	152	120	66			
EMTGJB*-77	73-77	176	136	72			
EMTGJB*-81	77-81	184	144	76	18	40	8
EMTGJB*-91	81-91	198	158	85			
EMTGJB*-103	91-103	214	174	98			
EMTGJB*-115	105-115	220	180	104	18	40	8
EMTGJB*-115	110-115	226	186	109			

Note.acc to national standard:JB/ZQ4008-97

**EMTGJC\*~\*\***

**EMTGJC\*~\*\*Tension type thin pipe clamp**

EMT	GJ	C	*	**
EMT Clamp	EMT Specifications	Model structure	Texture of material	Pipe diameter

Composition: clamp body  
Pipe clamp body material:

Order model:

EMTGJCC\*~\*\* carbon steel pipe clamp

carbon steel tightening pipe clamp EMTGJCC~16

stainless steel tightening pipe clamp EMTGJCB~16

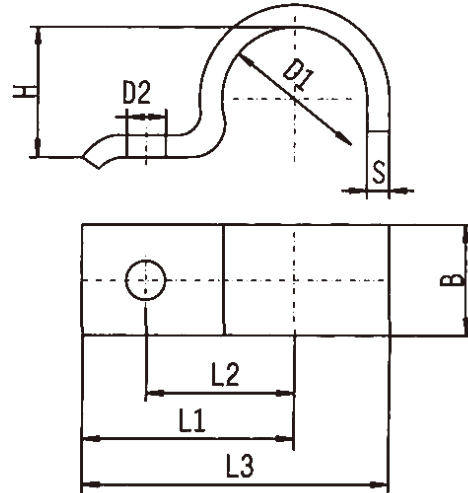
EMTGJCB\*~\*\* stainless steel pipe clamp

GJ : steel pipe clamp

C : Tension type thin pipe clamp

The clamp surface is zinc plated. Different treatments upon request

Other materials and pipe o.d. upon request.



Order code	Tightening rangeØD1	L1	L2	L3	H	D2	B	S
EMTGJC*-7	5.5-7	26	14	31.5	5	7	16	2
EMTGJC*-9	7-9	28	16	34.5	6			
EMTGJC*-13	9.5-13	30	18	38.5	9	7	20	2
EMTGJC*-15.5	13-15.5	32	20	41.75	12			
EMTGJC*-19	15.5-19	34	22	45.5	15			
EMTGJC*-23	20-23	43	28	57.5	19	9	25	3
EMTGJC*-26	23-26	44	29	60	22			
EMTGJC*-28.5	26-28.5	47	32	64.25	24			
EMTGJC*-31	28.5-31	47	32	65.5	27			
EMTGJC*-33	31-33	56	36	75.5	29	11	30	3
EMTGJC*-36	33-36	57	40	78	32			
EMTGJC*-39	36-39	59	42	81.5	34			
EMTGJC*-43	39-43	61	44	85.5	38			
EMTGJC*-46	43-46	62	45	88	41	14	40	4
EMTGJC*-49	46-49	67	48	95.5	44			
EMTGJC*-52	49-52	72	53	102	47			
EMTGJC*-58	52-58	74	55	107	52			
EMTGJC*-61	58-61	77	58	111.5	56			

Other form or requirements needs to be expressed by ordering.



**EMTGJD\*~\*\*** **EMTGJD\*~\*\*Tension type thin pipe clamp**

EMT	GJ	D	*	**
EMT Clamp	EMT Specifications	Model structure	Texture of material	Pipe diameter

GJ : steel pipe clamp

D : tightening thick pipe clamp

- 1、管夹表面处理为镀锌，可根据客户要求选用其它表面处理方法。  
The clamp surface is zinc plated. Different treatments upon request
- 2、本公司可根据客户要求(设计)生产或使用其它材料和管径。  
Other materials and pipe o.d. upon request.



Composition:clamp body  
Pipe clamp body material:

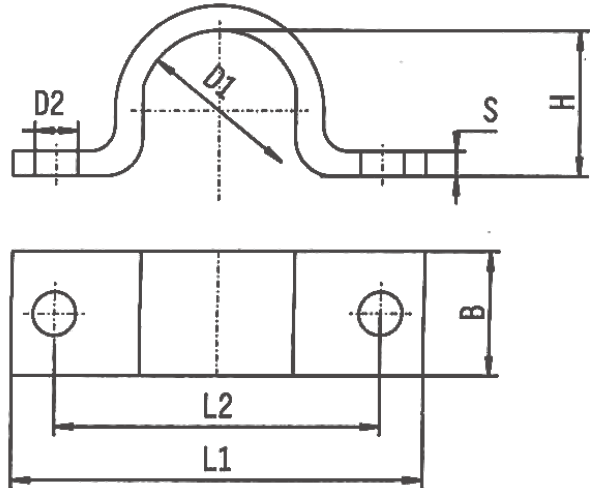
EMTGJDC\*~\*\* carbon steel pipe clamp

EMTGJDB\*~\*\* stainless steel pipe clamp

Order model:

carbon steel tightening pipe clamp EMTGJDC~16

stainless steel tightening pipe clamp EMTGJDB~16



Order code	Tightening range $\varnothing D1$	L1	L2	H	D2	B	S
EMTGJD*-7	5.5-7	44	28	5	6	16	1.5
EMTGJD*-9	7-9	48	32	6			
EMTGJD*-13	9.5-13	52	36	9			
EMTGJD*-15.5	13-15.5	56	40	12			
EMTGJD*-19	15.5-19	60	44	15			
EMTGJD*-23	20-23	76	56	19	7	20	2
EMTGJD*-26	23-26	78	58	22			
EMTGJD*-28.5	26-28.5	84	64	24			
EMTGJD*-31	28.5-31	84	64	27			
EMTGJD*-33	31-33	92	72	29			
EMTGJD*-36	33-36	104	80	32	9	25	3
EMTGJD*-39	36-39	108	84	34			
EMTGJD*-43	39-43	112	88	38			
EMTGJD*-46	43-46	114	90	41			
EMTGJD*-49	46-49	118	90	44			
EMTGJD*-52	49-52	134	106	47	11	30	3
EMTGJD*-58	52-58	138	110	52			
EMTGJD*-61	58-61	138	110	56			

Note.acc to national standard:JB/ZQ4008-97

**EMTGJE1\*-\*\***

**EMTGJE1\*-\*\*Twin steel pipe clamps**

▲ This product is suitable for oil, water and gas pipes in the mechanical hydraulic system in the following areas: the metallurgy, the petroleum, the chemical industry, the vehicles, the ships, electric power and etc.

EMT	GJ	E1	*	**
EMT Clamp	EMT Specifications	Model structure	Texture of material	Pipe diameter

The clamp surface is zinc plated. Different treatments upon request

Other materials and pipe o.d. upon request.

- ▲ Composition: clamp body, plate and bolt
- ▲ Pipe clamp body material:

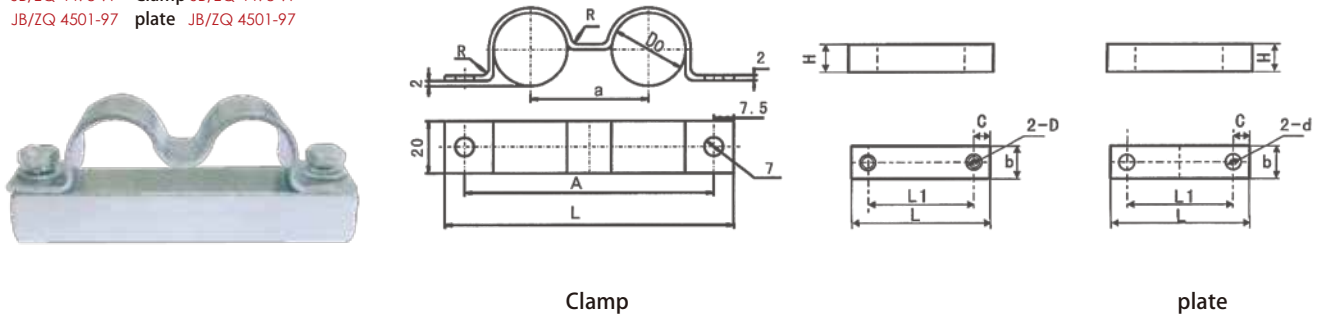
- \* EMTGJE1C-\*\* carbon steel twin pipe clamp without plate
- \* EMTGJE1B-\*\*A ( B ) carbon steel twin pipe clamp with plate
- \* EMTGE1B-\*\* stainless steel twin pipe clamp without plate
- \* EMTGE1B-\*\*A ( B ) stainless steel twin pipe clamp with plate

- ▲ Order model:

- \* Take pipe outside diameter 16 as an example
- \* carbon steel twin pipe clamp EMTGJ E1C -16 (without plate)
- \* carbon steel twin pipe clamp EMTGJ E1C-16A(B) (with plate)
- \* stainless steel twin pipe clamp EMTGJ E1B-16 (without plate)
- \* stainless steel twin pipe clamp EMTGJ E1B-16A(B) (with plate)

Acc. to national standard :

JB/ZQ 4498-97 Clamp JB/ZQ 4498-97  
JB/ZQ 4501-97 plate JB/ZQ 4501-97



Order code	A	L	a	R	Weld plate	L	b	H	L1	C	D	d
6	38	53	13	2	Weld plate	53	20	10	38	7.5	M6	7
8	44	59	16	2	Weld plate	59	20	10	44	7.5	M6	7
10	50	65	20	2	Weld plate	65	20	15	50	7.5	M6	7
12	54	69	22	2	Weld plate	69	20	15	54	7.5	M6	7
14	62	77	26	2	Weld plate	77	20	15	62	7.5	M6	7
16	68	83	30	2	Weld plate	83	20	15	68	7.5	M6	7
18	72	87	32	3	Weld plate	87	20	15	72	7.5	M6	7
22	80	95	35	3	Weld plate	95	20	15	80	7.5	M6	7
24	86	101	40	3	Weld plate	101	20	20	86	7.5	M6	7
28	95	110	45	3	Weld plate	110	20	20	95	7.5	M6	7

Other form or requirements needs to be expressed by ordering.

EMTGJE2\*-\*

EMTGJE1\*-\* Twin steel pipe clamps

▲ This product is suitable for oil, water and gas pipes in the mechanical hydraulic system in the following areas: the metallurgy, the petroleum, the chemical industry, the vehicles, the ships, electric power and etc.

EMT	GJ	E2	*	**
EMT Clamp	EMT Specifications	Model structure	Texture of material	Pipe diameter

The clamp surface is zinc plated. Different treatments upon request

Other materials and pipe o.d. upon request.

- ▲ Composition: clamp body, plate and bolt
- ▲ Pipe clamp body material:

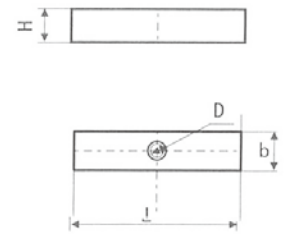
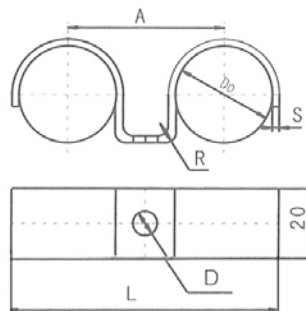
- \* EMTGJE2C-\*\* carbon steel twin pipe clamp without plate
- \* EMTGJE2C-\*\*A ( B ) carbon steel twin pipe clamp with plate
- \* EMTGJE2B-\*\* stainless steel twin pipe clamp without plate
- \* EMTGJE2B-\*\*A ( B ) stainless steel twin pipe clamp with plate

- ▲ Order model:

- \* Take pipe outside diameter 16 as an example
- \* carbon steel twin pipe clamp EMTGJ E2C-16 (without plate)
- \* carbon steel twin pipe clamp EMTGJE2C-16A(B) (with plate)
- \* stainless steel twin pipe clamp EMTGJ x 1B-16 (without plate)
- \* stainless steel twin pipe clamp EMTGJE2B-16A(B) (with plate)

Acc. to national standard :

JB/ZQ 4498-97(2) Clamp JB/ZQ 4498-97(2)  
JB/ZQ 4501-97(2) plate JB/ZQ 4501-97(2)



Clamp

plate

Order code	A	L	R	S	D	Weld plate	L	b	H	D
6	38	53	2	2	7	Weld plate	53	15	10	M6
8	44	59	2	2	7	Weld plate	59	15	10	M6
10	50	65	2	2	7	Weld plate	65	15	15	M6
12	54	69	2	2	7	Weld plate	69	15	15	M6
14	62	77	2	2	7	Weld plate	77	15	15	M6
16	68	83	3	3	9	Weld plate	83	20	15	M8
18	72	87	3	3	9	Weld plate	87	20	15	M8
22	80	95	3	3	9	Weld plate	95	20	15	M8
24	86	101	3	3	9	Weld plate	101	20	20	M8
28	95	110	3	3	9	Weld plate	110	20	20	M8

Note.acc to national standard:JB/ZQ 4498-97(2)/JB/ZQ 4501-97(2)

**EMTGJE3\*-\*\* EMTGJE3\*-\*\*Twin Steel Pipe Clamps**

▲ This product is suitable for oil, water and gas pipes in the mechanical hydraulic system in the following areas: the metallurgy, the petroleum, the chemical industry, the vehicles, the ships, electric power and etc.

EMT	GJ	E3	*	**
EMT Clamp	EMT Specifications	Model structure	Texture of material	Pipe diameter

The clamp surface is zinc plated. Different treatments upon request

Other materials and pipe o.d. upon request.

- ▲ Composition: clamp body, plate and bolt
- ▲ Pipe clamp body material:

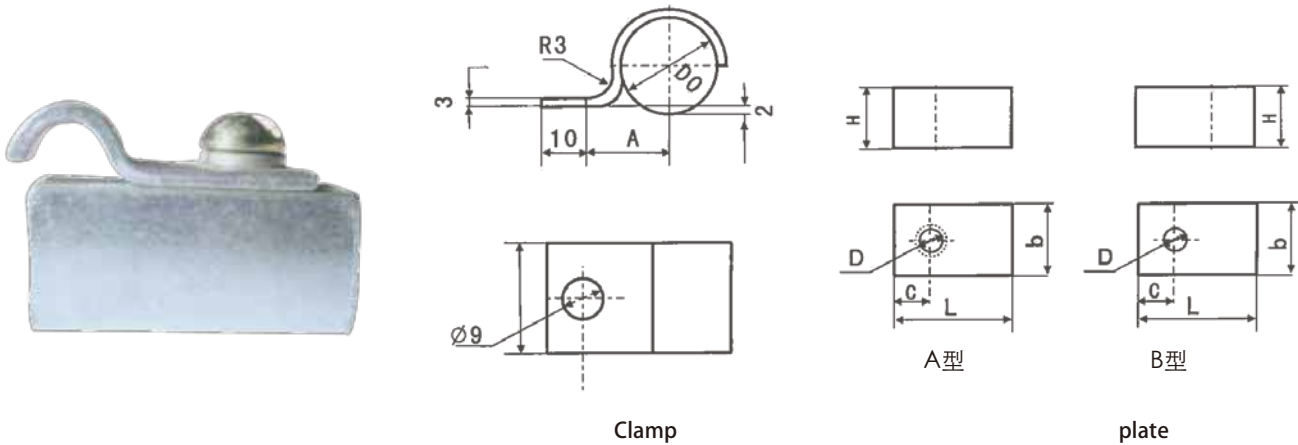
- \* EMTGJE3C-\*\* carbon steel single pipe clamp without plate
- \* EMTGJE3C-\*\*A ( B ) carbon steel single pipe clamp with plate
- \* EMTGJE3B-\*\* stainless steel single pipe clamp without plate
- \* EMTGJE3B-\*\*A ( B ) stainless steel single pipe clamp with plate

- ▲ Order model:

- \* Take pipe outside diameter 16 as an example
- \* carbon steel single pipe clamp EMTGJ x 3C-16 (without plate)
- \* carbon steel single pipe clamp EMTGJ x 3C-16A(B) (with plate)
- \* stainless steel single pipe clamp EMTGJ x 3B-16 (without plate)
- \* stainless steel single pipe clamp EMTGJE3B-16A(B) (with plate)

Acc.to nationalstandard :

JB/ZQ 4498-97 Clamp JB/ZQ 4498-97  
JB/ZQ 4501-97 plate JB/ZQ 4501-97



Order code	D	A	Weld plate	L	b	H	C	D	d
6	6	21	Weld plate	40	20	20	15	M8	9
8	8	21	Weld plate	40	20	20	15	M8	9
10	10	25	Weld plate	45	20	20	15	M8	9
12	12	25	Weld plate	45	20	20	15	M8	9
14	14	28	Weld plate	50	20	20	15	M8	9
16	16	28	Weld plate	50	20	20	15	M8	9
18	18	30	Weld plate	55	20	20	15	M8	9
22	22	32	Weld plate	60	20	20	15	M8	9
24	24	32	Weld plate	60	20	20	15	M8	9
28	28	35	Weld plate	65	20	20	15	M8	9

Other form or requirements needs to be expressed by ordering.

EMTGJN1\*\_\*\*

EMTGJN1\*\_\*\* Multiple steel pipe clamps

▲ This product is suitable for oil, water and gas pipes in the mechanical hydraulic system in the following areas: the metallurgy, the petroleum, the chemical industry, the vehicles, the ships, electric power and etc.

EMT	GJ	N1	*	**
EMT Clamp	EMT Specifications	Model structure	Texture of material	Pipe diameter

The clamp surface is zinc plated. Different treatments upon request  
Other materials and pipe o.d. upon request.

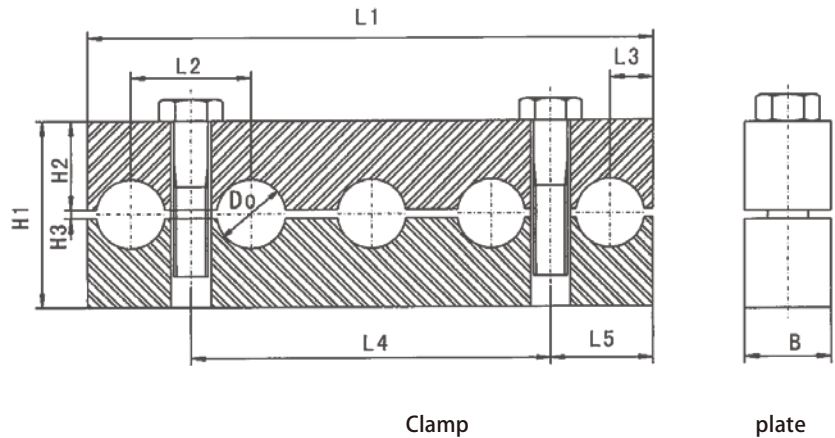
- ▲ Composition: clamp body and bolt
- ▲ Pipe clamp body material:

- \* EMTGJN1C-\*\*- carbon steel multiple pipe without plate
- \* EMTGJN1B-\*\*- stainless steel multiple pipe clamp without plate

Acc. to national standard :  
JB/ZQ 4512-97 Clamp JB/ZQ 4512-97

▲ Order model:

- \* Take pipe outside diameter 16 with five pipes as an example
- \* carbon steel multiple pipe clamp EMTGJ N1C16x 5
- \* stainless steel multiple pipe clamp EMTGJ N1B16x 5



Pipe		B	H1	H2	H3	L1	L2	L3	L4	L5	With bolt			
Number	Pipe O.D										Number	Specifi- -cations		
1	10	20	42	20	2	45		22.5	25	10	2	M8*35		
2						70	25	22.5	50	10				
3						95	25	22.5	75	10				
4						95	25	10	50	22.5				
5						120	25	10	75	22.5				
1	16	25	52.5	25	2.5	60		30	35	12.5		2	M10*45	
2						95	35	30	70	12.5				
3						130	35	30	105	12.5				
4						130	35	12.5	70	30				
5						165	35	12.5	105	30				
1	25	30	63	30	3	75		37.5	70	12.5			2	M12*50
2						125	50	37.5	105	12.5				
3						175	50	37.5	50	12.5				
4						190	50	20	100	45				
5						240	50	20	150	45				
1	38	40	83	40		100		50	70	15	2			M16*70
2						160	60	50	130	15				
3						220	60	50	190	15				
4						230	60	25	120	55				
5						290	60	25	180	55				

Note. acc to national standard: JB/ZQ 4512-97

**EMTGJN\*\*\_\*\***

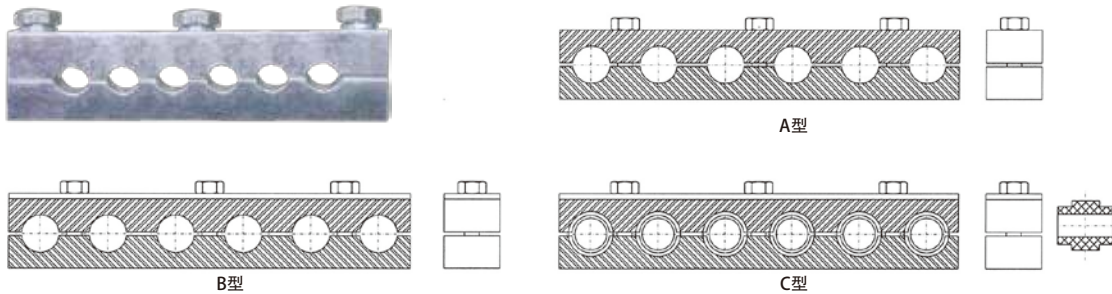
**EMTGJN\*\*\_\*\*Square Steel Multi-pipe Clamps**

The clamp surface is zinc plated. Different treatments upon request  
Other materials and pipe o.d. upon request.

EMTGJN × 6\*\_\*\*Six-Pipe Clamps

**Order model:**

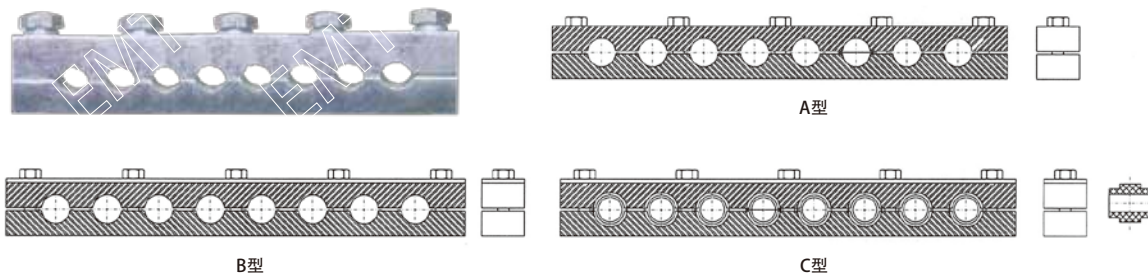
- \* Take pipe outside diameter 6 as an example    \* Stainless steel pipe clamp EMTGJN × 6B-6;
- \* Carbon teel pipe clamp EMTGJN × 6A-6;        \* Note: for pipe O.D.Ø3—Ø28



EMTGJN × 8\*\_\*\*Eight-Pipe Clamps

**Order model:**

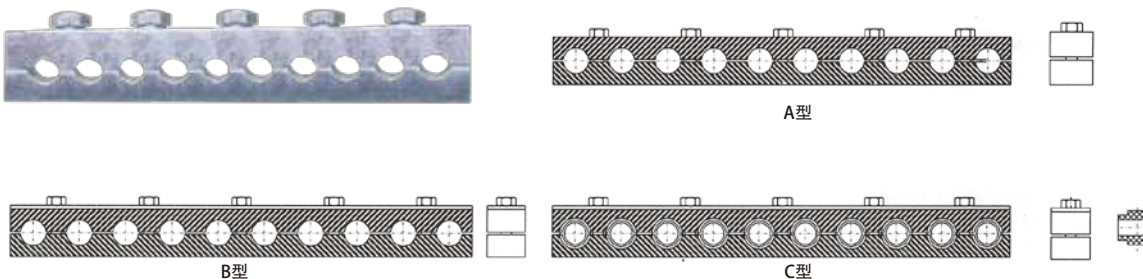
- \* Take pipe outside diameter 6 as an example    \* Stainless steel pipe clamp EMTGJN × 8B-6;
- \* Carbon teel pipe clamp EMTGJN × 8A-6;        \* Note: for pipe O.D.Ø3—Ø28



EMTGJN × 10\*\_\*\*Ten-Pipe Clamps

**Order model:**

- \* Take pipe outside diameter 6 as an example    \* Stainless steel pipe clamp EMTGJN × 10B-6;
- \* Carbon teel pipe clamp EMTGJN × 10A-6;      \* Note: for pipe O.D.Ø3—Ø28



Other form or requirements needs to be expressed by ordering.

**EMTGJN\*\*\_\*\* EMTGJN\*\*\_\*\*Square Steel Multi-pipe Clamps**

The clamp surface is zinc plated. Different treatments upon request  
Other materials and pipe o.d. upon request.

**Order model:**

EMTGJN × 1\*\_\* One-Pipe Clamps

- \* Take pipe outside diameter 6 as an example
- \* Carbon teel pipe clamp EMTGJN × 1A-6;
- \* Stainless steel pipe clamp EMTGJN × 1B-6;
- \* Note: for pipe O.D.Ø3—Ø28

A型 B型 C型

**Order model:**

EMTGJN × 2\*\_\* Twin-Pipe Clamps

- \* Take pipe outside diameter 6 as an example
- \* Carbon teel pipe clamp EMTGJN × 2A-6;
- \* Stainless steel pipe clamp EMTGJN × 2B-6;
- \* Note: for pipe O.D.Ø3—Ø28

A型 B型 C型

**Order model:**

EMTGJN × 3\*\_\* Three-Pipe Clamps

- \* Take pipe outside diameter 6 as an example
- \* Carbon teel pipe clamp EMTGJN × 3A-6;
- \* Stainless steel pipe clamp EMTGJN × 3B-6;
- \* Note: for pipe O.D.Ø3—Ø28

A型 B型 C型

**Order model:**

EMTGJN × 4\*\_\* Four-Pipe Clamps

- \* Take pipe outside diameter 6 as an example
- \* Carbon teel pipe clamp EMTGJN × 4A-6;
- \* Stainless steel pipe clamp EMTGJN × 4B-6;
- \* Note: for pipe O.D.Ø3—Ø28

B型 A型 C型

Note.acc to national standard:JB/ZQ4008-97

**EMTGJF1-\*\***

**EMTGJF1\*-\*\* Flat Steel Pipe Clamps with two Bolts**

▲ This product is suitable for oil, water and gas pipes in the mechanical hydraulic system in the following areas: the metallurgy, the petroleum, the chemical industry, the vehicles, the ships, electric power and etc.

EMT	GJ	F1	*	**
EMT Clamp	EMT Specifications	Model structure	Texture of material	Pipe diameter

Order model:

\* Take pipe outside diameter 168 as an example

\* Flat carbon steel pipe clamp with two bolts EMTGJF1-168

The clamp surface is zinc plated. Different treatments upon request

Other materials and pipe o.d. upon request.

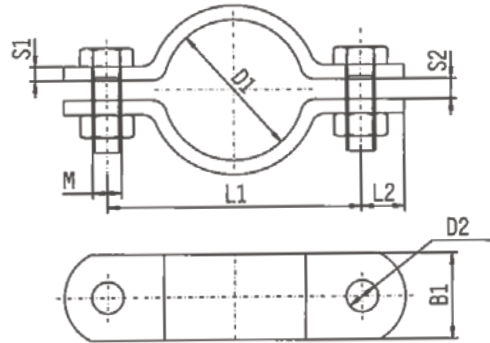
Composition: clamp body and bolt

Pipe clamp body material:

\* EMTGJF1-\*\* Flat carbon steel pipe clamp with two plate

Acc.to national standard: JB/ZQ4511-97(A型)

Acc.to German standard: DIN 3567 (A型)



SeriesD1	Nominal Width		L1	L2	S1	S2	D2	B1	Hexagon BoltNut						
	mm	Inch													
20	15		57	15	5	7	12	30	M10X30 M10						
22	15		59												
25	20		62												
27	20	3/4	66												
30	25		68												
34	25	1	72												
38	32		76												
43	32	1 1/4	82												
45	40		84												
49	40	1 1/2	88												
57	50		104	18	6	9	14	40	M12X35 M12						
61	50	2	108												
77	65	2 1/2	122												
89	80	3	136												
108	100		172							24	8	11	18	50	M16X45 M16
115	100	4	178												
133	125		196												
140	125		204												
159	150		222												
169	150		232												
194	175		258												
216	200		280												
220	200		284												
267	250		342	30	8	14	23	60	M20X50 M20						
273	250		348												
318	300		392												
324	300		398												
368	350		444												
407	400		498							36	10	18	27	70	M24X60 M24
419	400		510												
521	500		614												

Other form or requirements needs to be expressed by ordering.



**EMTGJF2-\*\* EMTGJF2\*-\*\* Flat Steel Pipe Clamps with three Bolts**

▲ This product is suitable for oil, water and gas pipes in the mechanical hydraulic system in the following areas: the metallurgy, the petroleum, the chemical industry, the vehicles, the ships, electric power and etc.

EMT	GJ	F2	*	**
EMT Clamp	EMT Specifications	Model structure	Texture of material	Pipe diameter

Order model:

- \* Take pipe outside diameter 168 as an example
- \* Flat carbon steel pipe clamp with three bolts EMTGJF2-168

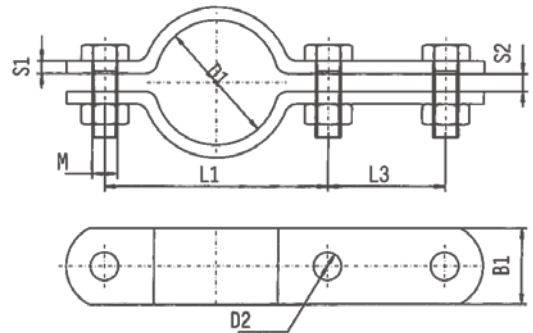
Composition: clamp body, Cushion block and bolt  
Pipe clamp body material:

The clamp surface is zinc plated. Different treatments upon request  
Other materials and pipe o.d. upon request.

EMTGJF2-\*\* Flat carbon steel pipe clamp with three plate

Acc.to national standard: JB/ZQ4511-97(B型)

Acc.to German standard: DIN 3567 (B型)



SeriesD1	Nominal Width		L1	L2	L3	S1	S2	D2	B1	Hexagon BoltNut							
	mm	Inch															
20	15		57	15	46	5	7	12	30	M10X30 M10							
22	15		59														
25	20		62														
27	20	3/4	66														
30	25		68														
34	25	1	72														
38	32		76														
43	32	1~1/4	82														
45	40		84														
49	40	1 1/2	88														
57	50		104	18	54	6	9	14	40	M12X35 M12							
61	50	2	108														
77	65	2 1/2	122														
89	80	3	136														
108	100		172								24	70	8	11	18	50	M16X45 M16
115	100	4	178														
133	125		196														
140	125		204														
159	150		222														
169	150		232														
194	175		258														
216	200		280														
220	200		284	30	86	8	14	23	60	M20X50 M20							
267	250		342														
273	250		348														
318	300		392														
324	300		398														
368	350		444														
407	400		498								36	104	10	18	27	70	M24X60 M24
419	400		510														
521	500		614														

Note, acc to national standard: JB/ZQ4511-97(B型)

**EMTGJF3-\*\***

**EMTGJF3\*-\*\*Type steel pipe clamp**

▲ This product is suitable for oil, water and gas pipes in the mechanical hydraulic system in the following areas: the metallurgy, the petroleum, the chemical industry, the vehicles, the ships, electric power and etc.

EMT	GJ	F3	*	**
EMT Clamp	EMT Specifications	Model structure	Texture of material	Pipe diameter

**Long diameter one-pipe clamps**

Acc.to national standard: JB/ZQ4493-97(1)

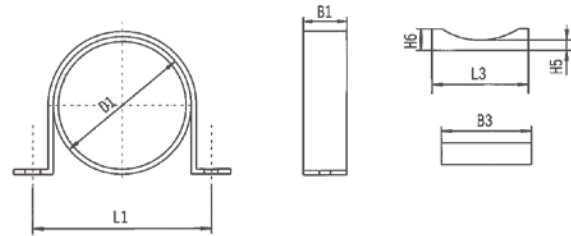
Acc.to German standard: FB/RUK

▲ Composition: clamp body, pipe saddle and bolt  
Pipe clamp body material:

- \* EMTGJF3-\*\* carbon steel flat U-form pipe clamp without washer
- \* EMTGJF3-\*\*A carbon steel flat U-form pipe clamp with washer

▲ Order model:

- \* Take pipe outside diameter 168 as an example
- \* Carbon steel flat U-form pipe clamp EMTGJF3-168(without washer)
- \* Carbon steel flat U-form pipe clamp EMTGJF3-168(with washer)



The clamp surface is zinc plated. Different treatments upon request

Other materials and pipe o.d. upon request.

Series D1	PipeD		FB flat steel hoop		U typechannel	Plastic washerRUK			
	mm	Inch	L1	B1	B2 X H4	L3	B3	H5	nH6
40	48.3	1 1/2	76	20X3	50X38	24	35	5	8
50	57	2	85			38	50		10
	60.3		88			75	70		17
65	76.1	2 1/2	104	40X4	80 X 45	140	75	8	26
80	88.9	3	122						
100	108	4	140						
	114.3		147						
125	133	5	165	40X 6	80 X 45	140	75	8	26
	139.7		172						
150	159	6	201	40X 8	80 X 45	140	75	8	26
	168.3		211						
175	193.7	8	236	40X 8	80 X 45	140	75	8	26
200	216		260						
		219.1	261						
250	267	10	325	40X 8	80 X 45	220	75	8	32
	273		330						
300	318	12	375	40X 8	80 X 45	220	75	8	32
	323.9		382						
350	355.6	14	420	60X8	100X50	220	75	8	32
	368		430						
400	406.4	16	470	60X8	100X50	220	75	8	32
	419		482						
	457		520						
500	508	20	570	60X8	100X50	220	75	8	32
	521		585						

Other form or requirements needs to be expressed by ordering.

**EMTGJF4-\*\***

**EMTGJF4\*-\*\*Type steel pipe clamp**

▲ This product is suitable for oil, water and gas pipes in the mechanical hydraulic system in the following areas: the metallurgy, the petroleum, the chemical industry, the vehicles, the ships, electric power and etc.

EMT	GJ	F4	*	**
EMT Clamp	EMT Specifications	Model structure	Texture of material	Pipe diameter

**Long diameter one-pipe clamps**

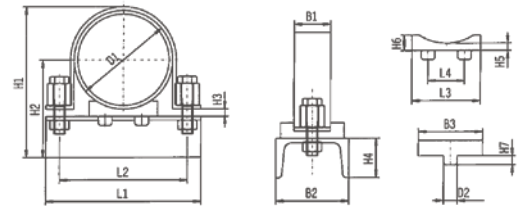
Acc.to national standard: JB/ZQ4493-97(2)

Acc.to German standard: FB/RUK

▲ Composition: clamp body, pipe saddle, Bottom plate and bolt  
Pipe clamp body material:

▲ Order model:

- \* EMTGJF4-\*\* carbon steel flat U-form pipe clamp without washer
- \* EMTGJF4-\*\*A carbon steel flat U-form pipe clamp with washer
- \* Take pipe outside diameter 168 as an example
- \* Carbon steel flat U-form pipe clamp EMTGJF4-168(without washer)
- \* Carbon steel flat U-form pipe clamp EMTGJF4-168(with washer)



The clamp surface is zinc plated. Different treatments upon request

Other materials and pipe o.d. upon request.

Series D1	PipeD		FB flat steel hoop						U type channel	Plastic washerRUK							Annex
	mm	Inch	L1	L2	H1	H2	H3	B1	B2 X H4	L3	L4	B3	D2	H5	nH6	H7	Outer hexagon head bolt
40	48.3	1 1/2	100	76	95	67	5	20X3	50X38	24	25	35	8	5	8	5	M10×40
50	57		115	85	103	71.5				38	25	50					
	60.3	2	115	88	106	73.2											
65	76.1	2 1/2	132	104	122	81	8	40X4	80 X 45	75	40	70	15	17		M12×55	
100	108		170	140	165	107											
	114.3	4	180	147	171	110											
125	133		210	165	190	119.5											
	139.7	5	210	172	197	123											
150	159		265	201	220	132.5											
	168.3	6	275	211	230	137											
175	193.7		305	236	255	150											
	216		320	260	277	161											
200	219.1	8	320	261	280	162.5											
	267		380	325	328	186.5											
250	273	10	385	330	334	189.5											
	318		440	375	384	212											
300	323.9	12	450	382	390	215											
	355.6	14	480	420	421	236											
350	368		490	430	434	242											
	406.4	16	550	470	472	261											
400	419		550	482	485	267.5											
	457	18	585	520	523	286.5											
500	508	20	630	570	574	312											
	521		640	585	587	319											

Note.acc to national standard:JB/ZQ4493-97(2)

**EMTGJU1\*-\***

**EMTGJU1\*-\*U- form pipe clamps**

▲ This product is suitable for oil, water and gas pipes in the mechanical hydraulic system in the following areas: the metallurgy, the petroleum, the chemical industry, the vehicles, the ships, electric power and etc.

EMT	GJ	U1	*	**
EMT Clamp	EMT Specifications	Model structure	Texture of material	Pipe diameter

Acc.to national standard: JB/ZQ4493-97(1)

Acc.to German standard: FB/RUK

▲ Composition:clamp body and Rail  
Pipe clamp body material:

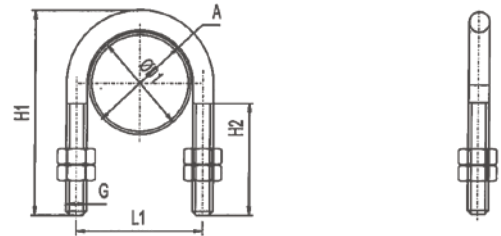
- \* EMTGJU1C-\* carbon steel flat U-form pipe clamp
- \* EMTGJU1B-\*Stainless steel flat U-form pipe clamp

▲ Order model:

- \* Take150 ( pipe outside diameter 159- 168.3) as an example
- \* Carbon steel U-form pipe clamp EMTGJU1C-150
- \* Stainless steel U-form pipe clamp EMTGJU1B-150



The clamp surface is zinc plated. Different treatments upon request



Other materials and pipe o.d. upon request.

Series D1	PipeD	Plastic washerRUK				
		A	L	H1	H2	G
20	25	30	40	70	40	M10
	26.9					
25	30	38	48	76	40	M10
	33.7					
32	38	46	56	86	50	M10
	42.4					
40	44.5	52	62	92	50	M12
	48.3					
50	57	64	76	109	50	M12
	60.3					
65	76.1	82	94	125	50	M12
80	88.9	94	106	138	50	M12
100	108	120	136	171	60	M16
	114.3					
125	133	148	164	191	60	M16
	139.7					
150	159	176	192	271	60	M16
	168.3					
175	193.7	202	218	249	60	M16
200	216	228	248	283	70	M20
	219.1					
250	267	282	302	334	70	M20
	273					
300	318	332	352	385	70	M20
	323.9					
350	355.6	378	402	435	70	M24
	368					
400	406.4	428	452	487	70	M24
	419					
500	508	530	554	589	70	M24
	521					

Other form or requirements needs to be expressed by ordering.

**EMTGJU2\*-\*\***

**EMTGJU2\*-\*\*U- form pipe clamps**

▲ This product is suitable for oil, water and gas pipes in the mechanical hydraulic system in the following areas: the metallurgy, the petroleum, the chemical industry, the vehicles, the ships, electric power and etc.

EMT	GJ	U2	*	**
EMT Clamp	EMT Specifications	Model structure	Texture of material	Pipe diameter

Acc.to national standard: JB/ZQ4591-97(2)

Acc.to German standard: FB/RUK

▲ Composition: clamp body and bolt  
Pipe clamp body material:

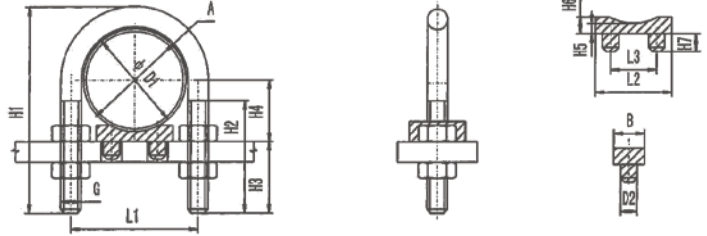
- \* EMTGJU2C-\*\* carbon steel flat U-form pipe clamp
- \* EMTGJU2B-\*\*Stainless steel flat U-form pipe clamp

▲ Order model:

- \* Take150 ( pipe outside diameter 159- 168.3) as an example
- \* Carbon steel U-form pipe clamp EMTGJU2C-150
- \* Stainless steel U-form pipe clamp EMTGJU2B-150



The clamp surface is zinc plated. Different treatments upon request



Other materials and pipe o.d. upon request.

Series D1	PipeD	Round steel clamp RB							Plastic washerRUK						
		A	L1	H1	H2	H3	H4	G	L2	L3	B	H5	H6	H7	D2
20	25	30	40	73.5	46	30	17.5	M10	24	25	35	55	8	5	8
	18.5														
25	30	38	48	81	50	30	20	M10	24	25	35	55	8	5	8
	22														
32	38	46	56	89	50	30	24	M10	24	25	35	55	8	5	8
	26.2														
40	44.5	52	62	100	55	35	27.2	M10	24	25	35	55	8	5	8
	29														
50	57	64	76	118	63	39	33.5	M12	38	25	50	55	10	6	10
	35.2														
65	76.1	82	94	135	77	39	43	M12	38	25	50	55	10	6	10
80	88.9	94	106	152	82	41	52.5	M12	75	40	70	8	17	10	15
100	108	120	136	190	105	49	62	M16	75	40	70	8	17	10	15
	65														
125	133	148	164	217	105	49	74.5	M16	75	40	70	8	17	10	15
	78														
150	159	176	192	247	105	51	87.5	M16	140	90	75	8	26	10	25
	92														
175	193.7	202	218	273	105	51	105	M16	140	90	75	8	26	10	25
200	216	228	248	311	125	59	116	M20	140	90	75	8	26	10	25
	117.5														
250	267	282	302	364	125	59	141.5	M20	140	90	75	8	26	10	25
	144.5														
300	318	332	352	418	125	62	167	M20	220	150	75	8	32	10	30
	170														
350	355.6	378	402	475	145	70	186	M24	220	150	75	8	32	10	30
	192														
400	406.4	428	452	526	145	70	211	M24	220	150	75	8	32	10	30
	217.5														
500	508	530	554	627	145	70	262	M24	220	150	75	8	32	10	30
	269														

Note.acc to national standard:JB/ZQ4591-97(2)

**EMTGJU3\*-\***

**EMTGJU3\*-\*U- form pipe clamps**

▲ This product is suitable for oil, water and gas pipes in the mechanical hydraulic system in the following areas: the metallurgy, the petroleum, the chemical industry, the vehicles, the ships, electric power and etc.

EMT	GJ	U3	*	**
EMT Clamp	EMT Specifications	Model structure	Texture of material	Pipe diameter

Acc.to national standard : JB/ZQ4519-97(3)

Acc.to German standard : FB/RUK

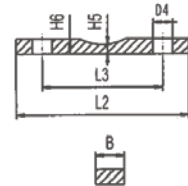
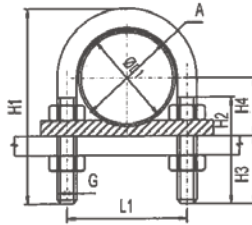
▲ Composition:clamp body and bolt

Pipe clamp body material:

- \* EMTGJU3C-\*\* carbon steel flat U-form pipe clamp
- \* EMTGJU3B-\*\*Stainless steel flat U-form pipe clamp

▲ Order model:

- \* Take150 ( pipe outside diameter 159- 168.3) as an example
- \* Carbon steel U-form pipe clamp EMTGJU3C-150
- \* Stainless steel U-form pipe clamp EMTGJU3B-150



The clamp surface is zinc plated. Different treatments upon request

Other materials and pipe o.d. upon request.

Series D1	PipeD	Round steel clamp RB							Plastic washerRUK					
		A	L1	H1	H2	H3	H4	G	L2	L3	B	H5	H6	D2
20	25	30	40	73.5	46	30	17.5	M10	75	40	30	5	12	11
	18.5													
25	30	38	48	81	50	30	20	M10	80	48	30	5	12	11
	22													
32	38	46	56	89	50	30	24	M10	90	56	30	5	12	11
	26.2													
40	44.5	52	62	100	55	35	27.2	M10	95	62	35	5	15	11
	29													
50	57	64	76	118	63	39	33.5	M12	110	76	35	5	15	14
	35.2													
65	76.1	82	94	135	77	39	43	M12	135	94	35	5	20	14
80	88.9	94	106	152	82	39	54.5	M12	145	106	40	10	20	18
100	108	120	136	190	105	47	64	M16	190	136	40	10	20	18
	67													
125	133	148	164	217	105	47	76.5	M16	220	164	40	10	20	18
	80													
150	159	176	192	247	105	47	91.5	M16	250	192	50	12	25	18
	96													
175	193.7	202	218	273	105	47	109	M16	270	218	50	12	25	18
200	216	228	248	311	125	55	120	M20	315	248	50	12	25	22
	121.5													
250	267	282	302	364	125	55	145.5	M20	370	302	50	12	25	22
	148.5													
300	318	332	352	418	125	55	174	M20	420	352	60	15	30	22
	177													
350	355.6	378	402	475	145	63	193	M24	480	402	60	15	30	26
	199													
400	406.4	428	452	526	145	63	218	M24	540	452	60	15	30	26
	224.5													
500	508	530	554	627	145	63	269	M24	640	554	60	15	30	26
	276													

Other form or requirements needs to be expressed by ordering.

EMTGJU\*\*\_\*\*

EMTGJU\*\*\_\*\*Other U- form pipe clamps

▲ This product is suitable for oil, water and gas pipes in the mechanical hydraulic system in the following areas: the metallurgy, the petroleum, the chemical industry, the vehicles, the ships, electric power and etc.

EMT	GJ	U*	*	**
EMT Clamp	EMT Specifications	Model structure	Texture of material	Pipe diameter

Acc.to national standard: JB/ZQ4519-97(\*)

Acc.to German standard: FB/RUK

▲ Composition:clamp body and Rail  
Pipe clamp body material:

- \* EMTGJU\*C-\*\* carbon steel flat U-form pipe clamp
- \* EMTGJU\*B-\*\*Stainless steel flat U-form pipe clamp

▲ Order model:

- \* Take150 ( pipe outside diameter 159- 168.3) as an example
- \* Carbon steel U-form pipe clamp EMTGJU\*C-150
- \* Stainless steel U-form pipe clamp EMTGJU\*B-150



U4 Clamp



U5 Clamp



U6 Clamp



U7 Clamp



U8 Clamp



U9 Clamp

The clamp surface is zinc plated. Different treatments upon request

Other materials and pipe o.d. upon request.

Note.acc to national standard:JB/ZQ4519-97(\*)

**EMTGJM(A)\*-\*\***

**EMTGJM(A)\*-\*\*Anti-vibration steel pipe clamps**

▲ This product is suitable for oil, water and gas pipes in the mechanical hydraulic system in the following areas: the metallurgy, the petroleum, the chemical industry, the vehicles, the ships, electric power and etc.

EMT	GJ	M(A)	*	**
EMT Clamp	EMT Specifications	Model structure	Texture of material	Pipe diameter

\* Order model: Take pipe outside diameter 20 as an example

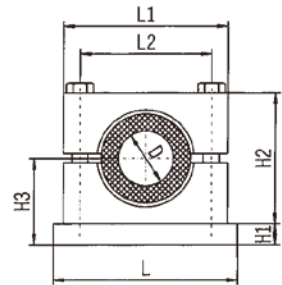
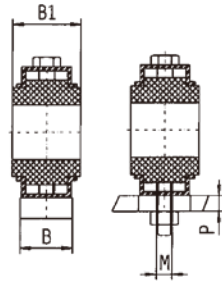
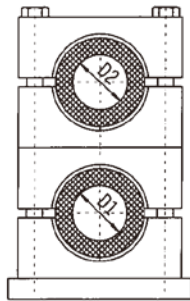
\* Anti-vibration steel one-pipe one-layer clamp EMTGJM(A)50-Ø20 (without plate)

\* Anti-vibration steel one-pipe one-layer clamp EMTGJM(A)50-Ø20 (with plate)

\* Anti-vibration steel one-pipe two-layer clamp EMTGJM(AB)50-Ø20 xØ20 or EMTGJM(B)50-Ø20XØ25 different pipe o.d. in the same series(with plate)

\* Anti-vibration steel one-pipe two-layer clamp EMTGJM(AB)50-Ø20 xØ20 or EMTGJM(B)50-Ø20XØ25 different pipe o.d. in the same series(without plate)

\* Stainless steel or other requirements upon request.



The clamp surface is zinc plated. Different treatments upon request

Other materials and pipe o.d. upon request.

Series D1	Ordercode	PipeD,D1.D2	L	L1	L2	H1	H2	H3	B	B1	P	M
1	EMT-HGJF (A) 38 EMT-GJF (AB) 38	Ø6,Ø8,Ø10,Ø12,Ø14,Ø16	65	58	38	12	38	33	18	32	6	M8
2	EMT-GJF (A) 50 EMT-GJF (AB) 50	Ø16,Ø18,Ø20,Ø22,Ø25	80	70	50	12	50	39	18	36	6-8	M8
3	EMT-GJF (A) 75 EMT-GJF (AB) 75	Ø25,Ø28,Ø32,Ø34,Ø40,Ø42	110	96	75	14	75	56	25	44	10-12	M10
4	EMT-GJF (A) 100 EMT-GJF (AB) 100	Ø42,Ø48,Ø50,Ø60,Ø63	140	125	100	16	100	66	40	52	12-15	M12
5	EMT-GJF (A) 150 EMT-GJF (AB) 150	Ø63,Ø70,Ø76,Ø83,Ø89,Ø102	190	176	150	18	150	93	50	62	12-15	M12
6	EMT-GJF (A) 170 EMT-GJF (AB) 170	Ø102,Ø108,Ø114,Ø127,Ø133	214	208	172	18	190	115	60	70	15-25	M14
7	EMT-GJF (A) 180 EMT-GJF (AB) 180	Ø133,Ø140,Ø152,Ø159,Ø168	290	260	212	22	240	145	60	80	15-25	M16
8	EMT-GJF (A) 190	Ø168,Ø194,Ø219	318	311	265	25	300	173	70	84	25-30	M18
9	EMT-GJF (A) 200	Ø219,Ø245,Ø273,Ø299,Ø325	465	459	375	30	435	245	80	122	25-30	M24
10	EMT-GJF (A) 250	Ø325,Ø351,Ø377,Ø426	668	660	508	35	572	321	110	152	25-30	M30

Other form or requirements needs to be expressed by ordering.



**EMTGJM(B)\*\_\*\***

**EMTGJM(B)\*\_\*\* Anti-vibration steel pipe clamps**

▲ This product is suitable for oil, water and gas pipes in the mechanical hydraulic system in the following areas: the metallurgy, the petroleum, the chemical industry, the vehicles, the ships, electric power and etc.

EMT	GJ	M(B)	*	**
EMT Clamp	EMT Specifications	Model structure	Texture of material	Pipe diameter

\* Order model: Take pipe outside diameter 20 as an example

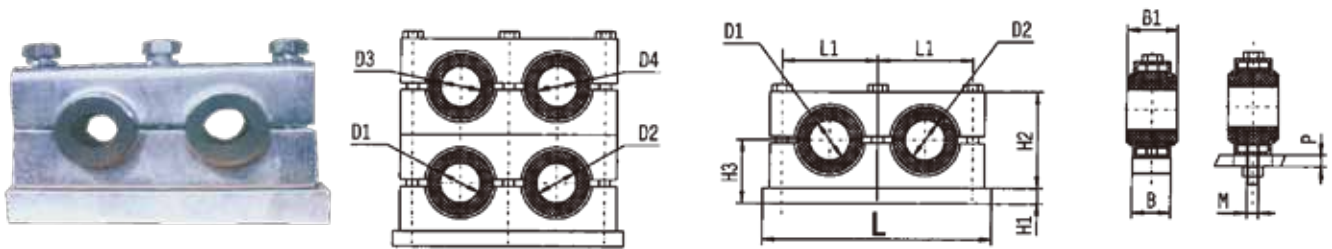
\* Anti-vibration steel two-pipe one-layer clamp EMTGJM(B)50-Ø20 (without plate)

\* Anti-vibration steel two-pipe one-layer clamp EMTGJM(B)50-Ø20 (with plate)

\* Anti-vibration steel two-pipe two-layer clamp EMTGJM(BB)50-Ø20 xØ20 or EMTGJM(B)50-Ø20XØ25 different pipe o.d. in the same series(with plate)

\* Anti-vibration steel two-pipe two-layer clamp EMTGJM(AB)50-Ø20 xØ20 or EMTGJM(B)50-Ø20XØ25 different pipe o.d. in the same series(without plate)

\* Stainless steel or other requirements upon request.



The clamp surface is zinc plated. Different treatments upon request

Other materials and pipe o.d. upon request.

Series D1	Ordercode	PipeD,D1.D2	L	L2	H1	H2	H3	B	B1	P	M
1	EMTGJM (B) 38 EMTGJM (BB) 38	Ø6,Ø8,Ø10,Ø12,Ø14,Ø16	104	38	12	38	33	18	32	6	M8
2	EMTGJM (B) 50 EMTGJM (BB) 50	Ø16,Ø18,Ø20,Ø22,Ø25	130	50	12	50	39	18	36	6-8	M8
3	EMTGJM (B) 75 EMTGJM (BB) 75	Ø25,Ø28,Ø32,Ø34,Ø40,Ø42	185	75	14	75	56	25	44	10-12	M10
4	EMTGJM (B) 100 EMTGJM (BB) 100	Ø42,Ø48,Ø50,Ø60,Ø63	240	100	16	100	66	40	52	12-15	M12
5	EMTGJM (B) 150 EMTGJM (BB) 150	Ø63,Ø70,Ø76,Ø83,Ø89,Ø102	340	150	18	150	93	50	62	12-15	M12
6	EMTGJM (B) 170 EMTGJM (BB) 170	Ø102,Ø108,Ø114,Ø127,Ø133	386	172	18	190	115	60	70	15-25	M14
7	EMTGJM (B) 180 EMTGJM (BB) 180	Ø133,Ø140,Ø152,Ø159,Ø168	478	212	22	240	145	60	80	15-25	M16
8	EMTGJM (B) 190	Ø168,Ø194,Ø219	581	265	25	300	173	70	84	25-30	M18
9	EMTGJM (B) 200	Ø219,Ø245,Ø273,Ø299,Ø325	840	375	30	435	245	80	122	25-30	M24
10	EMTGJM (B) 250	Ø325,Ø351,Ø377,Ø426	1176	508	35	572	321	110	152	25-30	M30

Note.acc to national standard:JB/ZQ4008-97

**EMTG(A)\*\_\*\***

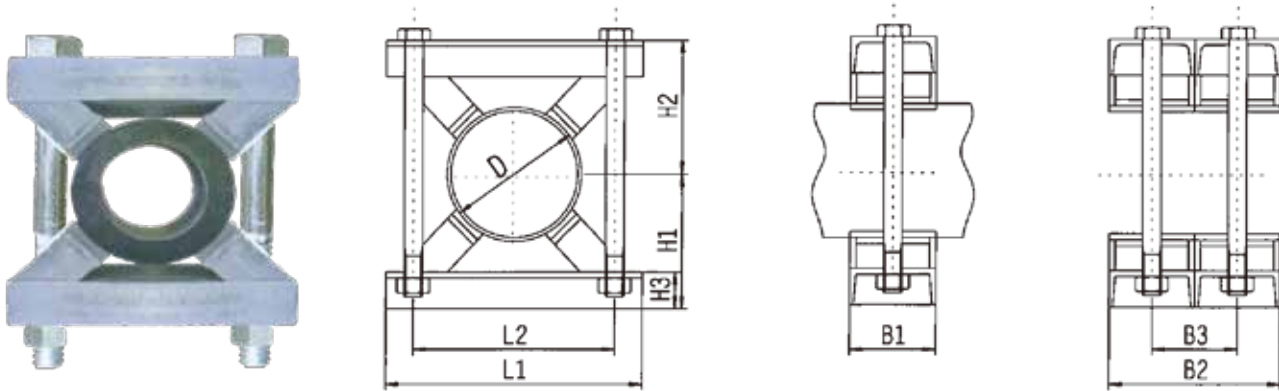
**EMTG(A)\*\_\*\* Anti-vibration grooved steel pipe clamps**

▲ This product is suitable for oil, water and gas pipes in the mechanical hydraulic system in the following areas: the metallurgy, the petroleum, the chemical industry, the vehicles, the ships, electric power and etc.

EMT	GJ	(A)	*	**
EMT Clamp	EMT Specifications	Model structure	Texture of material	Pipe diameter

**For high pressure strong vibration pipes**

- \* Order model: Take pipe outside diameter 168 as an example
- \* Anti-vibration grooved steel pipe clamp EMTG(A)4-168
- \* Stainless steel or other requirements upon request.



The clamp surface is zinc plated. Different treatments upon request

Other materials and pipe o.d. upon request.

Series D1	PipeD,D1.D2	L1	L2	H1	H2	H3	B1	B2	B3	M
1	Ø73-Ø89	190	140	100	100	40	60	120	60	M20
2	Ø102-Ø114	210	150	115	115	40	60	120	60	M20
3	Ø127-Ø140	250	190	135	135	50	80	160	80	M24
4	Ø152-Ø168	280	220	140	140	50	80	160	80	M30
5	Ø194-Ø219	340	270	170	170	50	100	200	100	M30
6	Ø220-Ø273	420	330	220	220	60	140	280	140	M30
7	Ø276-Ø325	460	370	240	240	60	140	280	140	M30
8	Ø326-Ø370	510	420	260	260	60	140	280	140	M30
9	Ø371-Ø425	570	480	290	290	60	140	280	140	M30
10	Ø426-Ø485	620	530	305	305	60	140	280	140	M30
11	Ø486-Ø550	680	590	370	370	60	140	280	140	M30
12	Ø551-Ø630	760	670	410	410	60	140	280	140	M30
13	Ø631-Ø715	845	755	452	452	60	140	280	140	M30
14	Ø716-Ø800	940	850	495	495	60	140	280	140	M30

Other form or requirements needs to be expressed by ordering.

EMTG(B)\*-\*\*

EMTG(B)\*-\*\* Anti-vibration grooved steel pipe clamps

▲ This product is suitable for oil, water and gas pipes in the mechanical hydraulic system in the following areas: the metallurgy, the petroleum, the chemical industry, the vehicles, the ships, electric power and etc.

EMT	GJ	(B)	*	**
EMT Clamp	EMT Specifications	Model structure	Texture of material	Pipe diameter

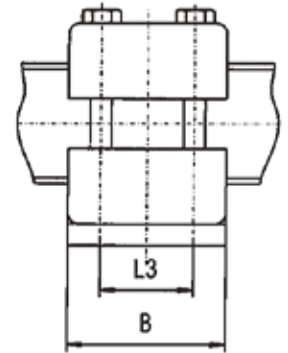
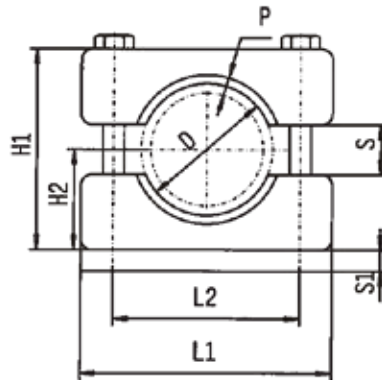
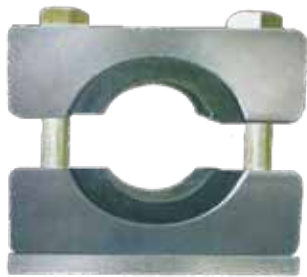
For high pressure strong vibration pipes

\* Order model: Take pipe outside diameter 168 as an example

\* Anti-vibration grooved steel pipe clamp EMTG(B)5-Ø219C (with plate)

\* Anti-vibration grooved steel pipe clamp EMTG(B)5-Ø219 (without plate) using two-head bolts

\* Stainless steel or other requirements upon request.



The clamp surface is zinc plated. Different treatments upon request

Other materials and pipe o.d. upon request.

Series D1	PipeD,D1.D2	L1	L2	L3	H1	H2	B	S	S1	P	M
1	73	190	140	65	170	85	115	20	20	5	M20
	76										
	89										
2	102	210	150	65	210	105	115	20	20	5	M24
	108										
	114										
3	127	250	190	90	250	125	155	40	25	5	M24
	133										
	140										
4	152,159	290	220	100	280	140	180	50	30	8	M30
	168										
5	219	400	310	150	330	165	220	90	30	8	M30
	245										
6	273	480	380	160	430	230	240	120	36	10	M36
	290										
7	325	500	400	170	480	240	260	140	36	10	M36
8	351	530	430	180	510	255	280	150	36	10	M36
9	377	580	480	190	540	270	290	160	36	10	M36
10	426	610	510	200	530	290	300	180	36	10	M36

Note.acc to national standard:JB/ZQ4008-97

**EMTG(C)\*\_\*\***

**EMTG(C)\*\_\*\* Anti-vibration grooved steel pipe clamps**

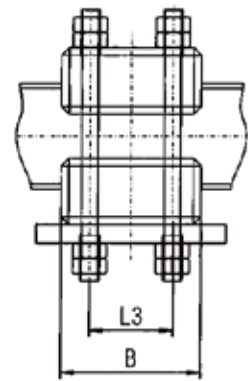
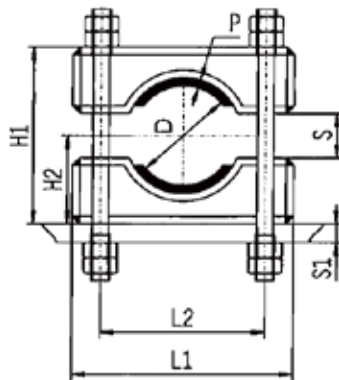
▲ This product is suitable for oil, water and gas pipes in the mechanical hydraulic system in the following areas: the metallurgy, the petroleum, the chemical industry, the vehicles, the ships, electric power and etc.

EMT	GJ	(C)	*	**
EMT Clamp	EMT Specifications	Model structure	Texture of material	Pipe diameter

**For high pressure strong vibration pipes**

**Order model**

- \* Anti-vibration grooved steel pipe clamp EMTGC4-Ø219C (with plate)
- \* Anti-vibration grooved steel pipe clamp EMTGC4-Ø219 (without plate) using two-head bolts
- \* Stainless steel or other requirements upon request.



The clamp surface is zinc plated. Different treatments upon request

Other materials and pipe o.d. upon request.

Series D1	PipeD,D1.D2	L1	L2	L3	H1	H2	B	S	S1	P	M
1	73	220	160	80	170	86	150	25	20	5	M20
	76				170	86		25			
	89				180	90		30			
	102				190	95		35			
	108				200	100		40			
	114				200	100		40			
2	127	280	210	110	230	115	180	40	20	8	M24
	133 140				240	120		45			
	152				260	130		50			
3	159 168	350	260	130	280	140	220	70	30	8	M30
	194				310	155		90			
4	219	400	310	150	330	165	240	90	30	8	M30
	245	400	310		360	180		110			
5	273	480	380	160	430	215	260	120	36	10	M36
6	290	480	380		460	230		130			
7	325	500	400	180	480	240	280	140	36	10	M36
8	351	530	430		510	255		150			
9	377	580	480	200	540	270	300	160	36	10	M36
10	426	610	510		530	290		180			

Other form or requirements needs to be expressed by ordering.

**EMTAL(A/B)**

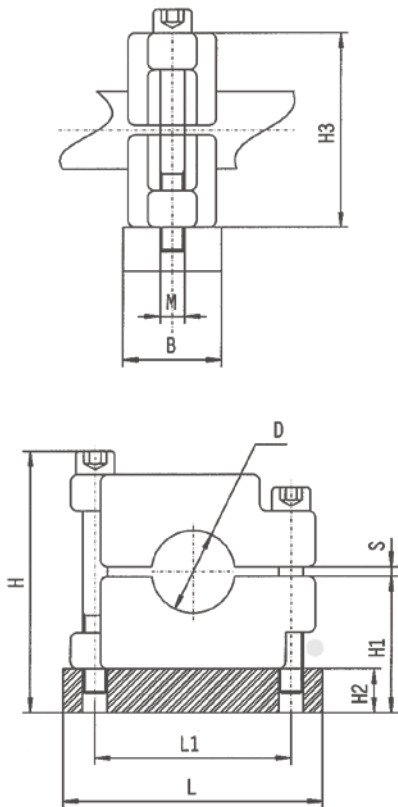
**EMTAL(A/B) Combined aluminum alloy pipe clamps**

EMTAL(A) Combined aluminum alloy pipe clamps National standard JB/ZQ4513-86

EMTAL(B) Combined aluminum alloy pipe clamps National standard JB/ZQ4514-86

Order model

- \* Combined aluminum alloy one-layer clamp EMTGAL(A)Ø20 (without plate)
- \* Combined aluminum alloy one-layer clamp EMTGAL(A)Ø20C (with plate)
- \* Combined aluminum alloy one-layer clamp EMTAL(A)Ø20X20C different pipe o.d.in the same series,five layers at most.
- \* Combined aluminum alloy pipe clamp EMTAL(B) : half clamp body of EMTAL(A)
- \* other requirements upon request.Ø219—Ø406 acc.to national standard JB/ZQ400897



Series	Order code	Pipe ØD	L1	L2	L3	H1	H2	B	S	S1	P	M
1	EMTAL (*)	Ø6-Ø8	54	36	54	30	12	36	20	18	2	M6
2	EMTAL (*)	Ø10-Ø42	106	80	108	58	18	80	40	36	4	M10
3	EMTAL (*)	Ø45-Ø65	136	100	137	72	20	105	50	40	4	M12
4	EMTAL (*)	Ø70-Ø89	188	150	190	99	25	150	56	50	4	M16
5	EMTAL (*)	Ø90-Ø127	255	205	245	125	30	190	70	60	4	M20
6	EMTAL (*)	Ø133-Ø168	305	250	300	150	30	240	80	70	5	M24
7	EMTAL (*)	Ø170-Ø219	355	290	360	180	35	290	90	80	8	M30

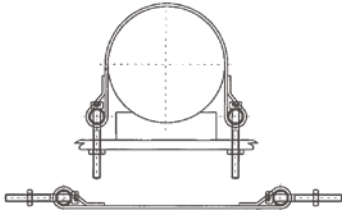
Note.acc to national standard:JB/ZQ4008-97

**EMTG\*\*\_\*\***

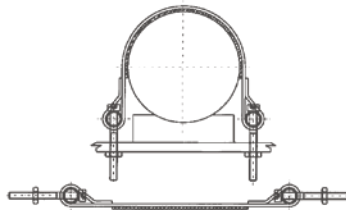
**EMTG\*\*\_\*\*Other pipe clamps**

▲ This product is suitable for oil, water and gas pipes in the mechanical hydraulic system in the following areas: the metallurgy, the petroleum, the chemical industry, the vehicles, the ships, electric power and etc.

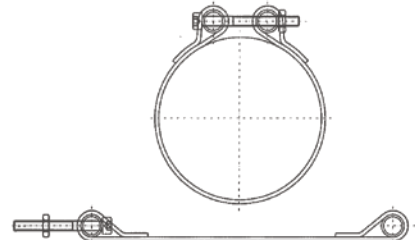
The clamp surface is zinc plated. Different treatments upon request Other materials and pipe o.d. upon request.



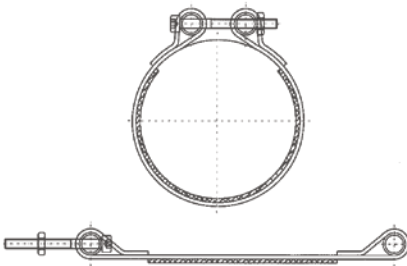
Carbon steel EMTGA1C-\*\*-pipe clamp  
Stainless steel EMTGA1B-\*\*-pipe clamp



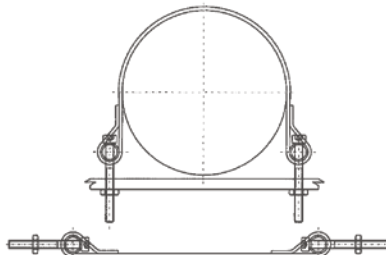
Carbon steel EMTGA2C-\*\*-pipe clamp  
Stainless steel EMTGA2B-\*\*-pipe clamp



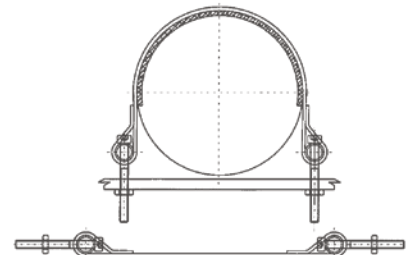
Carbon steel EMTGB1C-\*\*-pipe clamp  
Stainless steel EMTGB1B-\*\*-pipe clamp



Carbon steel EMTGB2C-\*\*-pipe clamp  
Stainless steel EMTGB2B-\*\*-pipe clamp



Carbon steel EMTGC1C-\*\*-pipe clamp  
Stainless steel EMTGC1B-\*\*-pipe clamp



Carbon steel EMTGC2C-\*\*-pipe clamp  
Stainless steel EMTGC2B-\*\*-pipe clamp

**EMT\*\*\_\*\***

**EMT\*\*\_\*\*Other pipe clamps**

▲ This product is suitable for oil, water and gas pipes in the mechanical hydraulic system in the following areas: the metallurgy, the petroleum, the chemical industry, the vehicles, the ships, electric power and etc.

The clamp surface is zinc plated. Different treatments upon request  
Other materials and pipe o.d. upon request.



Other form or requirements needs to be expressed by ordering.

# Index

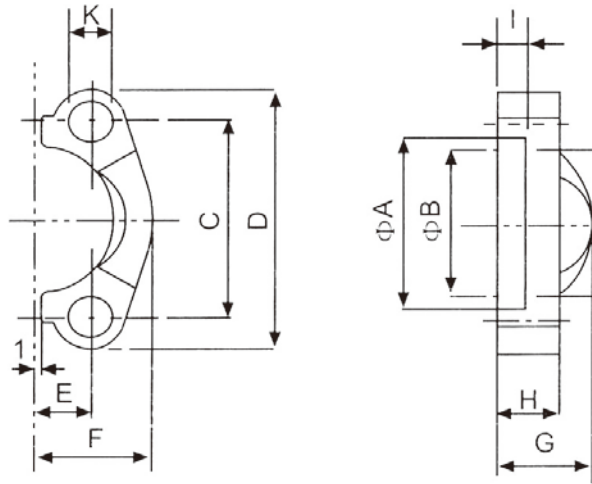
## Technical information

SAE split halves & flange clamp FH/HF/VF/VFM/VFU/	91/94
SAE flange welding couplings SFJ/SFJN/WFJ/WFJN/ASF/ASFN/AWF/BSF/CSF/DSF/ESF/FSF/SFV/	95/P100
SAE flange adapters GSF/GWF/	P101/P104
Pump flange connection DIN3901/3902 GF/LK/WF-LK/	P105/P106
SAE 4 bolt flange with 24° cone end AFM/AFMW/	P107/P108
SAE socket welding flange AFS-S/GFS-S/DFS-S/AFW-S/	P109/P111
SAE BSPP thread flange AFS-G/GFS-G/DFS-G/AFW-G/	P112/P114
SAE NPT thread flange AFS-N/GFS-N/DFS-N/AFW-N/	P115/P117
SAE weldon flange AFS-T/GFS-T/DFS-T/AFW-T/	P118/P120
SAE socket welding flange 500psi AFC-S/GFC-S/DFC-S/	P121/P122
SAE closed flange AFC/GFC/	P123/P124
4-bolt square flange ISO 6164 FA/FK/FAG/FKG/FV/WFA/	P125/P132
KHB(BKH)、KHM(MKH) Series High Pressure Ball Valve	P133/P134
KHB3K(BK3)Two-position Three-way High Pressure Ball Valve	P135/P136
VH2V Series High Pressure Ball Valve	P137/P138
VH3V Two-position Three-way High Pressure Ball Valve	P139/P140
KH*B Series Straight High Pressure Ball Valve	141
YJZQ Series High Pressure Ball Valve	142
QJH Series High Pressure Globe Stop Valve	143

**SAE Split flange halves-flat EMT-FH--**

**Material**

- \* C45 Carbon steel Yellow zinked EMT-FH-- C45 A3C
- \* C20 Carbon steel Yellow zinked: EMT-FH--TC20  
Blank Oiled
- \* A1S1 321/304 EMT-FH--X
- \* A1S1 316 EMT-FH--XX



Inch	Ordering Example	Dimension (mm)										Equipped with attachments		weight kg	Max working pressure kg/c m <sup>2</sup>
		A	B	C	D	E	F	G	H	t	K	M	unc		
Light series 3000 P.S. I															
1/2"	EMT-FH301	31.00	24.50	38.10	54	8.75	23	19	13	6.20	8.5	M8	5/16	0.07	345
3/4"	EMT-FH302	38.90	32.15	47.63	65	11.13	25.9	22	14.3	6.20	10.5	M10	3/8	0.10	345
1"	EMT-FH303	45.25	38.80	52.37	70	13.08	29.2	24	16	7.50	10.5	M10	3/8	0.12	345
1 1/4"	EMT-FH304	51.60	43.70	58.72	79	15.09	36.3	24	16	7.50	10.5	M10	--	0.18	276
1 1/4"	EMT-FH304/U	51.60	43.70	58.72	79	15.09	36.3	24	16	7.50	11.8	---	7/16	0.18	276
1 1/4"	EMT-FH304/12	51.60	43.70	58.72	79	15.09	36.3	24	16	7.50	12.5	M12	--	0.18	276
1 1/2"	EMT-FH305	61.10	50.80	69.85	94	17.86	41	25	16	7.50	13.3	M12	1/2	0.23	207
2"	EMT-FH306	72.25	62.75	77.77	102	21.44	48.2	26	16	9.00	13.3	M12	1/2	0.26	207
2"	EMT-FH306/14	72.25	62.75	77.77	102	21.44	48.2	26	16	9.00	14.6	M14	--	0.26	207
2 1/2"	EMT-FH307	84.95	74.95	88.90	114	25.40	54	38	19	9.00	13.3	M12	1/2	0.42	172
3"	EMT-FH308	102.40	90.95	106.38	135	30.96	65.3	41	22	9.00	17	M16	5/8	0.68	138
3 1/2"	EMT-FH309	115.10	102.40	120.65	152	34.92	69.5	28	22	10.70	17	M16	5/8	0.62	34
4"	EMT-FH310	127.80	115.10	130.18	162	38.88	76	35	25	10.70	17	M16	5/8	0.85	34
5"	EMT-FH311	153.20	140.50	152.40	184	46.04	90	41	28	10.70	17	M16	5/8	1.2	34
heavy series 6000 P.S. I															
1/2"	EMT-FH601	32.55	24.65	40.49	56	9.12	23.6	22	16	7.20	8.5	M8	5/16	0.09	414
3/4"	EMT-FH602	42.10	32.50	50.80	71	11.91	30	28	19	8.25	10.5	M10	3/8	0.17	414
1"	EMT-FH603	48.40	38.90	57.17	81	13.89	34.8	33	24	9.00	12.6	M12	7/16	0.26	414
1 1/4"	EMT-FH604/12	54.80	44.50	66.68	95	15.88	38.6	38	27	9.80	13.3	M12	1/2	0.40	414
1 1/4"	EMT-FH604	54.80	44.50	66.68	95	15.88	38.6	38	27	9.80	14.6	M14	--	0.40	414
1 1/2"	EMT-FH605	64.30	51.60	79.38	113	18.26	47.5	43	30	12.00	17	M16	5/8	0.68	414
2"	EMT-FH606	80.20	67.60	96.82	133	22.23	56.9	52	37	12.00	21	M20	3/4	1.05	414
2 1/2"	EMT-FH607	108.90	90.0	123.80	180	29.40	75	45	45	20.50	25	M24	--	2.10	414
3"	EMT-FH608	132.50	115.0	152.40	215	35.80	99	55	55	25.50	31.5	M30	--	4.25	414

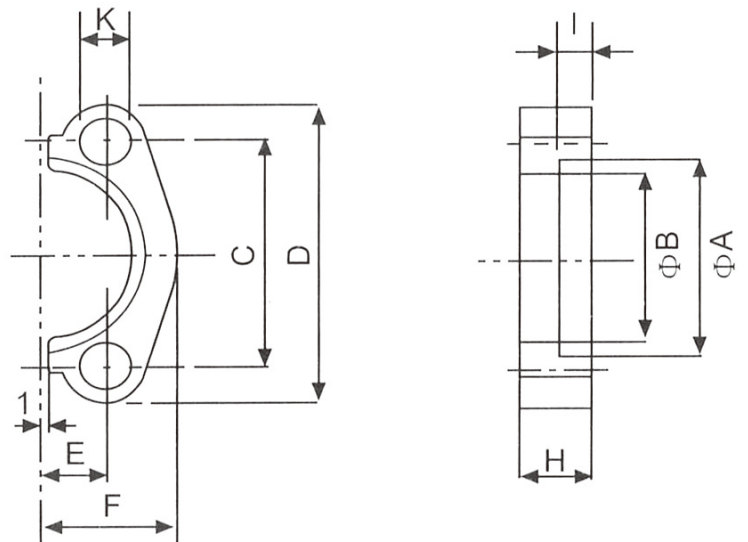
Other form or requirements needs to be expressed by ordering.



**SAE Split flange halves-flat EMT-HF**

**Material**

- \* C45 Carbon steel Yellow zinked EMT-HF-- C45 A3C
- \* C20 Carbon steel Yellow zinked: EMT-HF--TC20  
Blank Oiled
- \* A1S1 321/304 EMT-HF--X
- \* A1S1 316 EMT-HF--XX



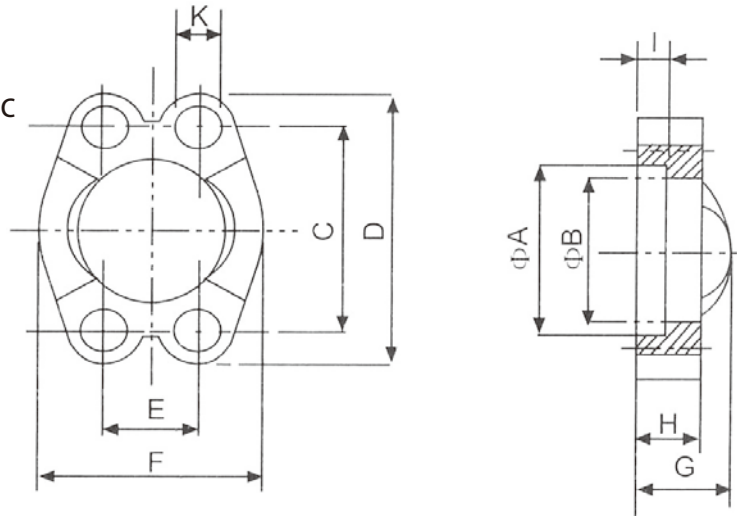
Inch	Ordering Example	Dimension (mm)										Equipped with attachments		weight kg	Max working pressure kg/cm <sup>2</sup>
		A	B	C	D	E	F	H	I	K	M	unc			
Light series 3000 P.S. I															
1/2"	EMT-HF301	31.00	24.50	38.10	54	8.75	23	13	6.20	8.5	M8	5/16	0.06	345	
3/4"	EMT-HF302	38.90	32.15	47.63	65	11.13	25.9	14.3	6.20	10.5	M10	3/8	0.09	345	
1"	EMT-HF303	45.25	38.80	52.37	70	13.08	29.2	16	7.50	10.5	M10	3/8	0.11	345	
1 1/4"	EMT-HF304	51.60	43.70	58.72	79	15.09	36.3	16	7.50	10.5	M10	---	0.16	276	
1 1/2"	EMT-HF305	61.10	50.80	69.85	94	17.86	41	16	7.50	13.3	M12	1/2	0.22	207	
2"	EMT-HF306	72.25	62.75	77.77	102	21.44	48.2	16	9.00	13.3	M12	1/2	0.25	207	
heavy series 6000 P.S. I															
1/2"	EMT-HF601	32.55	24.65	40.49	56	9.12	23.6	16	7.20	8.5	M8	5/16	0.08	414	
3/4"	EMT-HF602	42.10	32.50	50.80	71	11.91	30	19	8.25	10.5	M10	3/8	0.16	414	
1"	EMT-HF603	48.40	38.90	57.17	81	13.89	34.8	24	9.00	12.6	M12	7/16	0.25	414	
1 1/4"	EMT-HF604	54.80	44.50	66.68	95	15.88	38.6	27	9.80	14.6	M14	---	0.38	414	
1 1/2"	EMT-HF605	64.30	51.60	79.38	113	18.26	47.5	30	12.00	17	M16	5/8	0.65	414	
2"	EMT-HF606	80.20	67.60	96.82	133	22.23	56.9	37	12.00	21	M20	3/4	1.00	414	

Other form or requirements needs to be expressed by ordering.

**SAE Flange Clamp EMT-VF--**

**Material**

- \* C45 Carbon steel Yellow zinked EMT-VF-- C45 A3C
- \* C20 Carbon steel Yellow zinked: EMT-VF--TC20  
Blank Oiled
- \* A1S1 321/304 EMT-VF--X
- \* A1S1 316 EMT-VF--XX



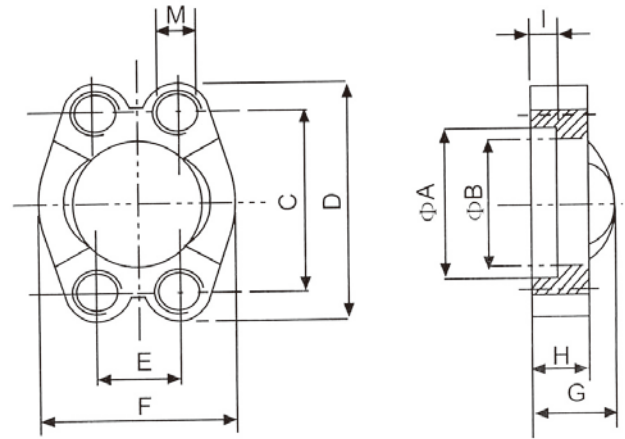
Inch	Ordering Example	Dimension (mm)										Equipped with attachments		weight kg	Max working pressure kg/c m <sup>2</sup>
		A	B	C	D	E	F	G	H	t	K	M	unc		
Light series 3000 P.S. I															
1/2"	EMT-VF301	31.00	24.50	38.10	54	17.50	46	19	13	6.20	8.5	M8	5/16	0.15	345
3/4"	EMT-VF302	38.90	32.15	47.63	65	22.26	51.8	22	14.3	6.20	10.5	M10	3/8	0.21	345
1"	EMT-VF303	45.25	38.80	52.37	70	26.16	58.4	24	16	7.50	10.5	M10	3/8	0.25	345
1 1/4"	EMT-VF304	51.60	43.70	58.72	79	30.18	72.6	24	16	7.50	10.5	M10	--	0.36	276
1 1/4"	EMT-VF304/U	51.60	43.70	58.72	79	30.18	72.6	24	16	7.50	11.8	---	7/16	0.36	276
1 1/4"	EMT-VF304/12	51.60	43.70	58.72	79	30.18	72.6	24	16	7.50	12.5	M12	--	0.36	276
1 1/2"	EMT-VF305	61.10	50.80	69.85	94	35.72	82.2	25	16	7.50	13.3	M12	1/2	0.48	207
2"	EMT-VF306	72.25	62.75	77.77	102	42.88	96.4	26	16	9.00	13.3	M12	1/2	0.52	207
2"	EMT-VF306/14	72.25	62.75	77.77	102	42.88	96.4	26	16	9.00	14.6	M14	--	0.52	207
2 1/2"	EMT-VF307	84.95	74.95	88.90	114	50.80	108	38	19	9.00	13.3	M12	1/2	0.85	172
3"	EMT-VF308	102.40	90.95	106.38	135	61.92	130.6	41	22	9.00	17	M16	5/8	1.38	138
3 1/2"	EMT-VF309	115.10	102.40	120.65	152	69.84	139	28	22	10.70	17	M16	5/8	1.50	34
4"	EMT-VF310	127.80	115.10	130.18	162	77.76	152	35	25	10.70	17	M16	5/8	1.70	34
5"	EMT-VF311	153.20	140.50	152.40	184	92.08	180	41	28	10.70	17	M16	5/8	2.50	34
heavy series 6000 P.S. I															
1/2"	EMT-VF601	32.55	24.65	40.49	56	18.24	47.2	22	16	7.20	8.5	M8	5/16	0.19	414
3/4"	EMT-VF602	42.10	32.50	50.80	71	23.80	60	28	19	8.25	10.5	M10	3/8	0.35	414
1"	EMT-VF603	48.40	38.90	57.17	81	27.78	69.6	33	24	9.00	12.6	M12	7/16	0.54	414
1 1/4"	EMT-VF604/12	54.80	44.50	66.68	95	31.76	77.2	38	27	9.80	13.3	M12	1/2	0.80	414
1 1/4"	EMT-VF604	54.80	44.50	66.68	95	31.76	77.2	38	27	9.80	14.6	M14	--	0.80	414
1 1/2"	EMT-VF605	64.30	51.60	79.38	113	36.52	95	43	30	12.00	17	M16	5/8	1.40	414
2"	EMT-VF606	80.20	67.60	96.82	133	44.46	113.8	52	37	12.00	21	M20	3/4	2.10	414
2 1/2"	EMT-VF607	108.90	90.0	123.80	180	58.80	150	45	45	20.50	25	M24	--	4.30	414
3"	EMT-VF608	132.50	115.0	152.40	215	71.60	198	55	55	25.50	31.5	M30	--	8.60	414

Other form or requirements needs to be expressed by ordering.

**SAE flange Clamp With Thread EMT-VFM--**

**Material**

- \* C45 Carbon steel Yellow zinked EMT-VFM-- C45 A3C
- \* C20 Carbon steel Yellow zinked: EMT-VFM--TC20  
Blank Oiled
- \* A1S1 321/304 EMT-VFM--X
- \* A1S1 316 EMT-VFM--XX



When thread is unc,part No.will beEMT- VFU--

Inch	Ordering Example	Dimension (mm)									Equipped with attachments		weight kg	Max working pressure kg / c m <sup>2</sup>
		A	B	C	D	E	F	G	H	I	M	unc		
Light series 3000 P.S. I														
1/2"	EMT-VFM301	31.00	24. 50	38. 10	54	17.5	46	19	13	6.20	M8	5/16	0.15	345
3/4"	EMT-VFM302	38.90	32. 15	47. 63	65	22.26	51.8	22	14.3	6.20	M10	3/8	0.21	345
1"	EMT-VFM303	45.25	38. 80	52. 37	70	26.16	58.4	24	16	7.50	M10	3/8	0.25	345
1 1/4"	EMT-VFM304	51.60	43. 70	58. 72	79	30.18	72.6	24	16	7.50	M10	--	0.36	276
1 1/4"	EMT-VFM304/12	51.60	43. 70	58. 72	79	30.18	72.6	24	16	7.50	M12	7/16	0.36	276
1 1/2"	EMTVFM305	61.10	50. 80	69. 85	94	35.72	82.2	25	16	9.00	M12	1/2	0.48	207
2"	EMT-VFM306	72.25	62. 75	77. 77	102	42.88	96.4	26	16	9.00	M12	1/2	0.52	207
2 1/2"	EMT-VFM307	84.95	74. 95	88. 90	114	50.80	108	38	19	9.00	M12	1/2	0.85	172
3"	EMT-VFM308	102.40	90. 95	106. 38	135	61.92	130.6	41	22	9.00	M16	5/8	1.38	138
3 1/2"	EMT-VFM309	115.10	102. 40	120. 65	152	69.84	139	28	22	10.70	M16	5/8	1.50	34
4"	EMT-VFM310	127.80	115. 10	130. 18	162	77.76	152	35	25	10.70	M16	5/8	1.70	34
5"	EMT-VFM311	153.20	140. 50	152. 40	184	92.08	180	41	28	10.70	M16	5/8	2.50	34
heavy series 6000 P.S. I														
1/2"	EMT-VFM601	32.55	24. 65	40. 49	56	18.24	47.2	22	16	7.20	M8	5/16	0.19	414
3/4"	EMT-VFM602	42.10	32. 50	50. 80	71	23.80	60	28	19	8.25	M10	3/8	0.35	414
1"	EMT-VFM603	48.40	38. 90	57. 17	81	27.78	69.6	33	24	9.00	M12	7/16	0.54	414
1 1/4"	EMT-VFM604/12	54.80	44. 50	66. 68	95	31.76	77.2	38	27	9.80	M12	1/2	0.80	414
1 1/4"	EMT-VFM604	54.80	44. 50	66. 68	95	31.76	77.2	38	27	9.80	M14	--	0.80	414
1 1/2"	EMT-VFM605	64.30	51. 60	79. 38	113	36.75	95	43	30	12.00	M16	5/8	1.40	414
2"	EMT-VFM606	80.20	67. 60	96. 82	133	44.46	113.8	52	37	12.00	M20	3/4	2.10	414

Other form or requirements needs to be expressed by ordering.

**SAE Flange Welding Couplings**

**Material specification**

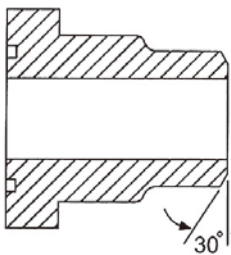
Material used for flange welding couplings is indicated with suffix as follow:

Flange and welding adapter all carbon steel: without suffix.

Carbon steel flange and stainless steel AISI304/321 welding adapter: with the suffix -STIX

Carbon steel flange and stainless steel AISI316 welding adapter: with the suffix -ST/XX

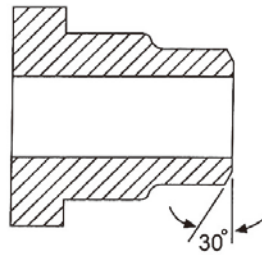
Flange and welding adapter are all stainless steel:  
 AISI304/321 with the suffix -X, AISI316 with the suffix -XX



**EMT-SFJ-**

welding adapter  
with O-ring groove

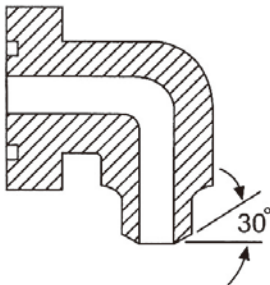
Installation dimension P97~P98  
 eg : EMT-SFJ 304-42.3x4  
 EMT-SFJ 304-42.3x4-X



**EMT-SFJN-**

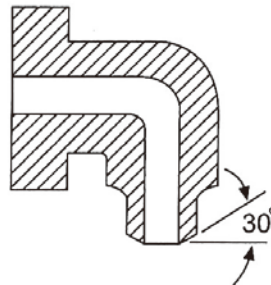
welding adapter  
without groove

Installation dimension P97~P98  
 eg : EMT-SFJN304-42.3x4-XX



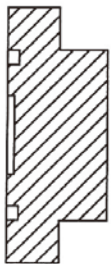
**EMT-WFJ-**

welding adapter 90°  
with O-ring groove  
eg : EMT-WFJ 304-42.3x4



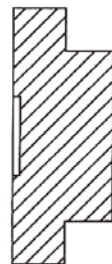
**EMT-WFJN-**

welding adapter 90°  
without groove  
eg : EMT-WFJN 304-42.3x4



**EMT-MG-**

plug with O-ring groove  
eg : EMT-MG 304-42  
EMT-MG 304-X



**EMT-MGN-**

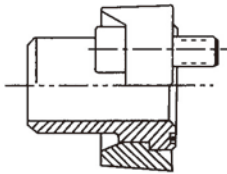
plug without groove  
eg : EMT-MGN 304-42  
EMT-MGN 304-X

Other form or requirements needs to be expressed by ordering.

## SAE Flange Welding Couplings

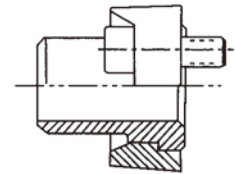
### ▲ EMT-ASF--(JB4187-97A)型

EMT-ASF split flange halves  
 With a O-groove welding pipe  
 O-Ring  
 A couple of bolts  
 Installation dimension P97~P98  
 Sample : EMT-ASF 306-60.3x5.6  
 ASF 306-60.3x5.6-ST/X



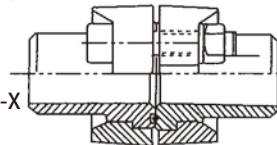
### ▲ EMT-ASFN--

EMT-ASFN flange clamp  
 With a welding hub  
 A couple of bolts  
 Installation dimension P97~P98  
 Sample : ASFN306U-60.3x5.6-X  
 (配美制螺栓)



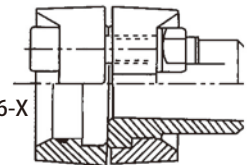
### ▲ EMT-BSF--(JB4187-97B)型

EMT-BSF split flange halves  
 EMT-BSF flange clamp  
 O-Ring  
 A couple of bolts  
 With a O-groove pipe  
 With a welding hub  
 Sample : EMT-BSF 308-76.1x4/89x4-X  
 (两头焊管不一致时)



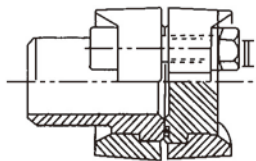
### ▲ EMT-CSF--(JB4187-97 C)型

EMT-CSF split flange halves  
 EMT-CSF flange clamp  
 Welding hub  
 A couple of bolts  
 Sample : EMT-CSF 305-48.3x3.6-X



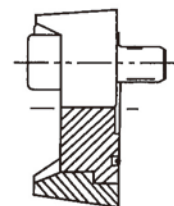
### ▲ EMT-DSF--(EMT-JB4187-97D)型

EMT-DSF split flange halves  
 EMT-DSF flange clamp  
 Lock plug with O-groove  
 With a welding, hub  
 O Ring  
 A couple of bolts  
 示例 : EMT-DSF606-60.3x10



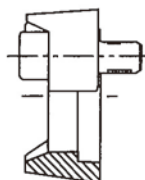
### ▲ EMT-ESF--(JB4187-97 E)型

EMT-ESF split flange halves  
 LOCK plug with O-groove  
 O-Ring  
 A couple of bolts  
 Sample : ESF303U-X



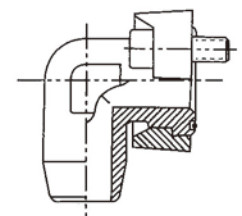
### ▲ EMT-FSF--(JB4187-97F)型

EMT-FSF split flange halves  
 O-Ring  
 A couple of bolts  
 示例 : EMT-FSF605  
 EMT-FSF 605U



### ▲ EMT-AWF--(ASF--的90° )

EMT-AWF split flange halves  
 Flange welding with 90°  
 O-Ring  
 A couple of bolts  
 示例 : EMT-AWF60.42x5



**SAE Flange Welding Couplings**

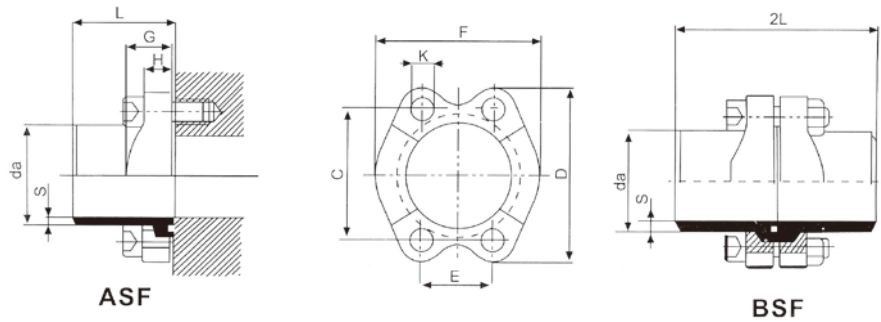
**Material**

C45 Carbon steel Yellow zinked EMT-ASF/EMT-BSF-- C45 A3C

C20 Carbon steel Yellow zinked: EMT-ASF/EMT-BSF--TC20 Blank Oiled

A1S1 321/304 EMT-ASF/EMT-BSF--X

A1S1 316 EMT-ASF/EMT-BSF--XX



Series-3000pl

Light series

da x a is the welding dimension (outer diameter x thickness) of the pipe, the groove is usually 30°

Inch	Ordering Example	Dimensions(mm)							Equipped with attachments		weight kg	Max working pressure kg / c m <sup>2</sup>
		da x s	C	D	E	F	L	K	boit	O-ring		
1/2"	EMT-ASF301 EMT-BSF301	16x3 20x3 22x3 22x4.5	38. 10	54	17. 50	46	30	8. 5	M8X25 M8X40	18. 66x3. 53	0. 28 0. 52	345
3/4"	EMT-ASF302 EMT-BSF302	20x3 22x3 25x3 28x4.5 26.9X3.6 30x5	47. 63	65	22. 26	51. 8	35	10. 5	M10X30 M10X45	25. 00x3. 53	0. 44 0. 85	345
1"	EMT-ASF303 EMT-BSF303	25x3 28x3 30x4 33.7x4 35x5 38x5	52. 37	70	26. 16	58. 4	40	10. 5	M10X30 M10X50	32. 92x3. 53	0. 56 1. 10	345
1 1/4"	ASF304 BSF304	30x4 34x5 38x4 38x6 42.4x4 43x6	58. 72	79	30. 18	72. 6	45	10. 5	M10X30 M10X50	37. 70x3. 53	0. 72 1. 40	276
1 1/2"	ASF305 BSF305	38x4 42.4x4 48.3x3.6 48.3x5 50x6	69. 85	94	35. 72	82. 2	50	13. 3	M12X35 M12X55	47. 22x3. 53	0. 92 1. 80	207
2"	ASF306 BSF306	42.4x4 48.3x5 50x6 57x3.5 60.3x4 60.3x5.6 60.3x8 62x7.5	77. 77	102	42. 88	96. 4	60	13. 3	M12X35 M12X55	56. 75x3. 53	1. 30 2. 50	207
2 1/2"	ASF307 BSF307	76.1x4 *** 76.1x5.5 76.1x7.1	88. 90	114	50. 80	108	70	13. 3	M12X40 M12X55	69. 45x3. 53	1. 80 3. 50	172
3"	ASF308 BSF308	76.1x4 76.1x7.1 89x4 89x8 90x10	106. 38	135	61. 92	131	70	17	M16X45 M16X70	85. 32x3. 53	2. 60 5. 10	138
3 1/2"	ASF309 BSF309	76.1x4 89x4 101.6x7.1	120. 65	152	69. 84	139	80	17	M16X45 M16X70	98. 02x3. 53	3. 00 5. 80	34
4"	ASF310 BSF310	89x5 114.3x4 114.3x6 114.3x8	130. 18	162	77. 76	152	80	17	M16X50 M16X75	110. 72x3. 53	3. 50 6. 70	34
5"	ASF311 BSF311	133x4 740x4 140x10	152. 40	184	92. 08	180	80	17	M16X50 M16X80	136. 12x3. 53	4. 50 8. 60	34

Other form or requirements needs to be expressed by ordering.

## SAE Flange Welding Couplings

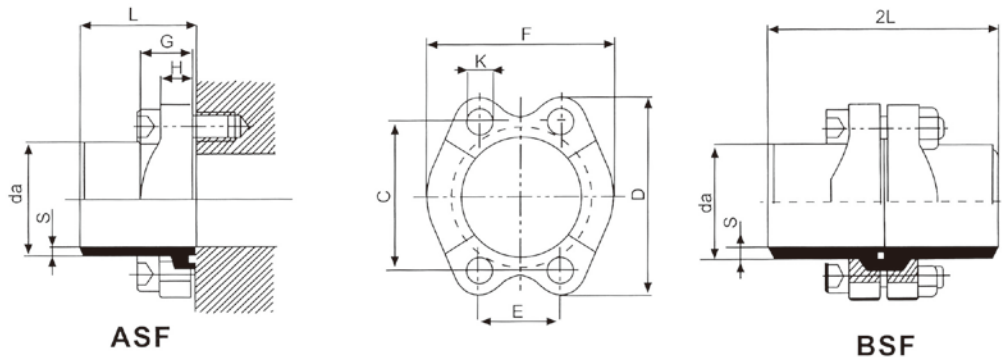
### Material

C45 Carbon steel Yellow zinked EMT-ASF/EMT-BSF-- C45 A3C

C20 Carbon steel Yellow zinked: EMT-ASF/EMT-BSF--TC20 Blank Oiled

A1S1 321/304 EMT-ASF/EMT-BSF--X

A1S1 316 EMT-ASF/EMT-BSF--XX



Series-6000pi

Heavy series

da × a is the Welding dimension (outer diameter × thickness) of the pipe, the groove is usually 30°

Inch	Ordering Example	Dimensions(mm)							Equipped with attachments		weight kg	working pressure kg / c.m <sup>2</sup>	
		da × s	C	D	E	F	L	K	boit	O-ring			
1/2"	EMT-ASF601	16 × 3	18 × 4	40.49	56	18.24	47.2	40	8.5	M8X30	18.66x3.53	0.35	414
	EMT-BSF601	20 × 3	22 × 4.5							M8X45			
3/4"	EMT-ASF602	20 × 3	22 × 4	50.80	71	23.80	60	45	10.5	M10X35	25.00x3.53	0.68	414
	EMT-BSF602	25 × 3	26.9 × 5.6							M10X55			
1"	EMT-ASF603	25 × 4	30 × 5	57.17	81	27.78	69.6	50	12.6	M12X45	32.92x3.53	1.06	414
	EMT-BSF603	33.7 × 7.1	35 × 5							M12X65			
1 1/4"	EMT-ASF604	30 × 4	34 × 5	66.68	95	31.76	77.2	55	14.6	M14X50	37.70x3.53	1.58	414
	EMT-BSF604	38 × 4	38 × 6							M14X75			
1 1/2"	EMT-ASF605	30 × 5	38 × 6	79.38	113	36.52	95	60	17	M16X55	47.22x3.53	2.50	414
	EMT-BSF605	42.4 × 6	42.4 × 8							M16X85			
2"	EMT-ASF606	38 × 6	48.3 × 6	96.82	133	44.46	114	70	21	M20X70	56.75x3.53	4.30	414
	EMT-BSF606	48.3 × 8	48.3 × 8.8							M20X100			
2 1/2"	EMT-ASF607	76.1 × 12.5	123.8	180	58.80	150	80	25	25	M24X80	75.00x5.33	8.50	414
	EMT-BSF607	89 × 11								89 × 14.2			
3"	EMT-ASF608	89 × 14.2	114.3 × 14.2	152.4	215	71.60	198	100	31.50	M30X90	98.60x5.7	16.80	414
	EMT-BSF608	108 × 12.5	114.3 × 20							M30X150			

Other form or requirements needs to be expressed by ordering.

**SAE Flange Welding Couplings (90°) EMT-AWF--**

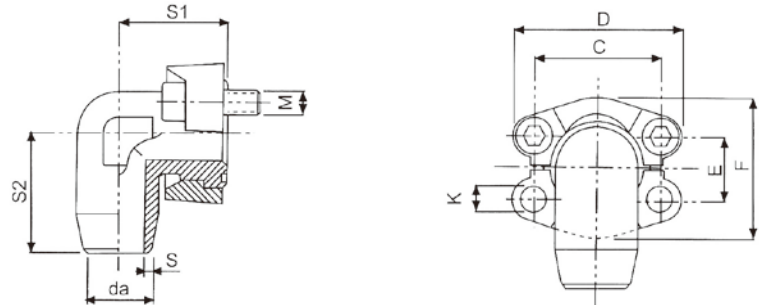
**Material**

C45 Carbon steel Yellow zinked EMT-AWF-- C45 A3C

C20 Carbon steel Yellow zinked: EMT-AWF--TC20 Blank Oiled

A1S1 321/304 EMT-AWF-AWF--X

A1S1 316 EMT-AWF--XX



da × a is the welding dimension (outer diameter\*thickness)of the pipe,the groove is usually 30°

Inch	Ordering Example	Dimensions(mm)								Equipped with attachments		weight kg	working pressure kg / c m <sup>2</sup>
		da × s	C	D	E	F	S1	S2	K	boit	O-ring		
Light series 3000 P.S. I													
1/2"	EMT-AWF301	20X2.5 21.3X2.9 22X3	38. 10	54	17.50	46	36	40	8. 5	M8X25	18.66x3.53	0.40	345
3/4"	EMT-AWF302	22X3 25X3 26.9X3.6	47. 63	65	22.26	51.8	43	46	10. 5	M10X30	25.00x3.53	0.60	345
1"	EMT-AWF303	30X4 33.7X3.6 35X4	52. 37	70	26.16	58.4	48	54	10. 5	M10X30	32.92x3.53	0.80	345
1 1/4"	EMT-AWF304	38X3 42.4X4	58. 72	79	30.18	72.6	53	65	10. 5	M10X35	37.70x3.53	1.20	250
1 1/2"	EMT-AWF305	42.4X4 48.3X5	69. 85	94	35.72	82.2	58	68	13. 3	M12X35	47.22x3.53	1.60	200
heavy series 6000 P.S. I													
1/2"	EMT-AWF601	16X3 20X3 22X3	40. 49	56	18.24	47.2	39	40	8. 5	M8X30	18.66x3.53	0.47	400
3/4"	EMT-AWF602	25.0X4 26.9X5.6 28X5	50. 80	71	23.80	60	48	50	10. 5	M10X35	25.00x3.53	0.90	400
1"	EMT-AWF603	30X5 33.7X7.1 35X5	57. 17	81	27.78	69.6	60	60	12. 6	M12X45	32.92x3.53	1.50	315
1 1/4"	EMT-AWF604	38X6 42.4X6	66. 68	95	31.76	77.2	68	66	14. 6	M14X50	37.70x3.53	2.20	315
1 1/2"	EMT-AWF605	38X6 48.3X8	79. 38	113	36.52	95	76	75	17	M16X55	47.22x3.53	3.30	315

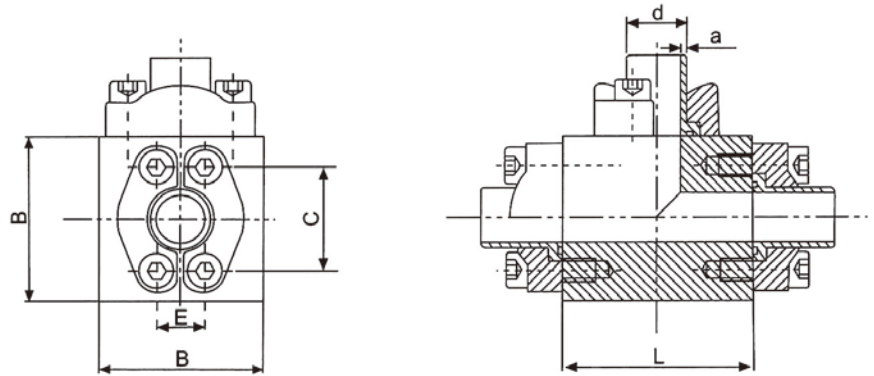
Other form or requirements needs to be expressed by ordering.



**SAE Tee Flange EMT-SFV--**

**Material**

- \* C45 Carbon steel Yellow zinked EMT-SFV-- C45 A3C
- \* C20 Carbon steel Yellow zinked: EMT-SFV--TC20 Blank Oiled
- \* A151 321/304 EMT-SFV--X
- \* A151 316 EMT-SFV--XX



**Instruction**

- \* Tee flange not with da×a, it means that just customize tee dact eg:EMT-SFV301
- \* When stainless steel AISI321/304,EMT-SFV301-X
- \* When stainless steel AISI316,EMT-SFV301-XX
- \* Tee flange with da×a behind
- \* It means that customize full set of flange (shaved in the picture), it is equal to a tee EMT-SFV and 3 set of EMT- ASF
- \* -X means full set of stainless steel AISI 321/304 , -XX means full set of stainless steel AISI 316
- \* -ST/X means tee dact and welding take are stainless steel AISI321/304 others are carbon steel
- \* -ST/XX means tee dact and welding take are stainless steel AISI316 others are carbon steel examples:EMT-SFV301-16\*2-ST/X

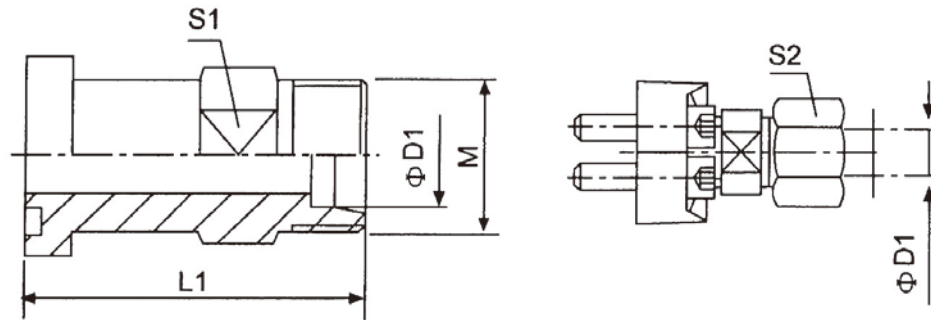
Inch	Ordering Example	Dimensions(mm)							weight Kg	kg / c m <sup>3</sup>
		series	da × s	B	C	E	L			
1/2"	301- EMT-SFV	3000	301-	60	38.10	17.50	70	1.80	345	
	601-	6000	601-	60	40.49	18.24	70			
3/4"	302- EMT-SFV	3000	302-	70	47.63	22.26	80	2.60	345	
	602-	6000	602-	80	50.8	23.8	90			
1"	303- EMT-SFV	3000	303-	80	52.37	26.16	90	3.80	345	
	603-	6000	603-	90	57.17	27.78	100			
1 1/4"	304- EMT-SFV	3000	304-	90	58.72	30.18	100	5.30	276	
	604-	6000	604-	100	66.68	31.76	110			
1 1/2"	305- EMT-SFV	3000	305-	100	69.85	35.72	110	6.80	207	
	605-	6000	605-	120	79.38	36.52	120			
2"	306- EMT-SFV	3000	306-	110	77.77	42.88	120	8.30	207	
	606-	6000	606-	140	96.82	44.46	140			

Other form or requirements needs to be expressed by ordering.

**SAE Flange Adapter(Standard Series)EMT-GSF--**

**Material**

- \* C45 Carbon steel Yellow zinked EMT-GSF-- C45 A3C
- \* C20 Carbon steel Yellow zinked: EMT-GSF--TC20 Blank Oiled
- \* A151 321/304 EMT-AWF-GSF--X
- \* A151 316 EMT-GSF--XX



**Ordering Information**

- \* Flange adapter only: EMT-GSF301-15L EMT-GSF301-15L-X
- \* Adapter with flanges,bolts and O-ring: for Metric bolts with the suffix M and UNC bolts with the suffix U
- \* Adapter with flanges ,bolts ,O-ring,cuffing ring and nut: with additional suffix KM

**Series-3000psi Light series**

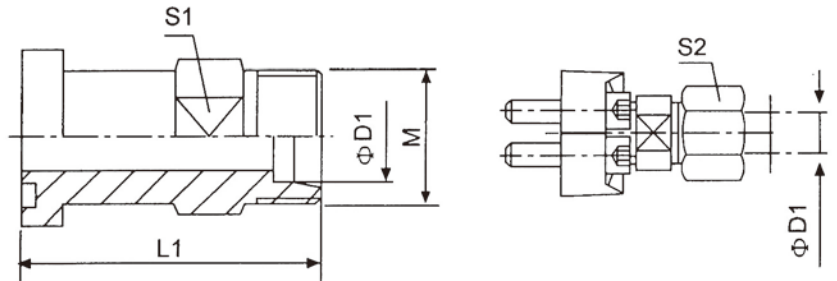
Inch	Ordering Example	Tube size D1	With Flange	Thread for Adaptor	L1	S1	S2	Max working pressure kg/c m <sup>2</sup>
1/2"	EMT-GSF301-15L	15L	EMT-FH301	M22X1.5	48	24	27	315
	EMT-GSF301-16S	16S		M24X1.5	50		30	350
3/4"	EMT-GSF302-18L	18L	EMT-FH302	M26X1.5	53.5	30	32	315
	EMT-GSF302-22L	22L		M30X2	53.5		36	160
	EMT-GSF302-20S	20S		M30X2	57.5		36	350
	EMT-GSF302-25S	25S		M36X2	57.5		46	350
1"	EMT-GSF303-28L	28L	EMT-FH303	M36X2	54.5	36	41	160
	EMT-GSF303-25S	25S		M36X2	58.5		46	350
	EMT-GSF303-30S	30S		M42X2	63.5		50	350
1 1/4"	EMT-GSF304-35L	35L	EMT-FH304	M45X2	58.5	41	50	160
	EMT-GSF304-25S	25S		M36X2	62		46	280
	EMT-GSF304-30S	30S		M42X2	62	50	280	
	EMT-GSF304-38S	38S		M52X2	67	46	60	280
2"	EMT-GSF305-42L	42L	EMT-FH305	M52X2	64.5	46	60	160
	EMT-GSF305-38S	38S			70.5			210

Other form or requirements needs to be expressed by ordering.

**SAE Flange adapter(High pressure series)EMT-GSF--**

**Material**

- \* C45 Carbon steel Yellow zinked: EMT-GSF-C45 A3C
- \* C20 Carbon steel Yellow zinked: EMT-GSF--TC20 Blank Oiled
- \* Stainless steel AISI 321 / 304 : EMT-GSF-X
- \* Stainless steel AISI 316 : EMT-GSF-XX



**Ordering Information**

- \* Flange adapter only: EMT-GSF601-15S, EMT-GSF601-15S-X
- \* Adapter with flanges, bolts and O-ring: for Metric bolts with the suffix M and UNC bolts with the suffix U
- \* Adapter with flanges ,bolts ,O-ring,cuffing ring and nut: with additional suffix KM

**Series-6000psi**

**Heavy series**

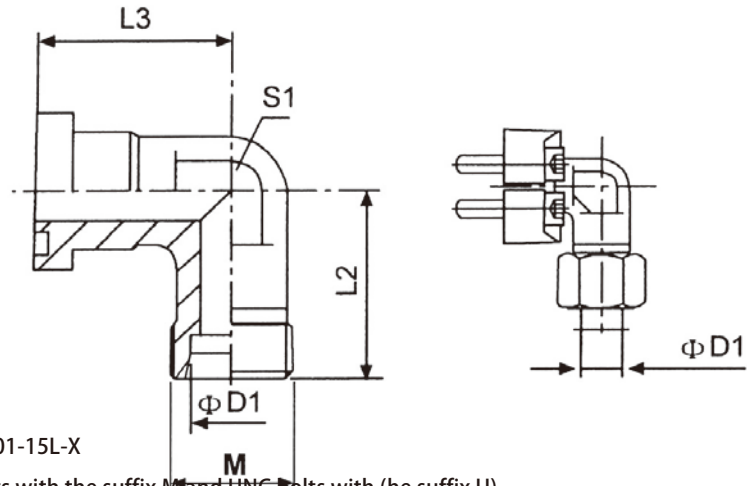
Inch	Ordering Example	Tube size D1	With Flange	Thread for Adaptor	L1	S1	S2	Max working pressure kg / c m <sup>2</sup>
1 / 2"	EMT-GSF601-16S	16S	EMT-FH601	M24X1.5	53.5	24	30	400
3 / 4"	EMT-GSF602-16S	16S	EMT-FH602	M24X1.5	60	30	30	400
	EMT-GSF602-20S	20S		M30X2	61.5		36	
	EMT-GSF602-25S	25S		M36X2	63.5		46	
1"	EMT-GSF603-25S	25S	EMT-FH603	M36X2	72	36	46	400
	EMT-GSF603-30S	30S		M42X2	74.5		50	
1 1 / 4"	EMT-GSF604-30S	30S	EMT-FH604	M42X2	80	41	50	400
	EMT-GSF604-38S	38S		M52X2	83		46	
1 1 / 2"	EMT-GSF605-38S	38S	EMT-FH605	M52X2	89.5	46	60	315

Other form or requirements needs to be expressed by ordering.

**SAE 90° Flange Adapter(Standard Series)EMT-GWF--**

**Material**

- \* C45 Carbon steel Yellow zinked EMT-GWF-- C45 A3C
- \* C20 Carbon steel Yellow zinked: EMT-GWF--TC20 Blank Oiled
- \* A151 321/304 EMT-GWF--X
- \* A151 316 EMT-GWF--XX



**Ordering Information**

- \* Flange adapter only: EMT-GWF301-15L, EMT-GWF301-15L-X
- \* Adapter with flanges,bolts and O ring: for Metric bolts with the suffix M and UNC bolts with (he suffix U)
- \* Adapter with flanges ,bolts ,O ring,cutting ring and nul: with additional suffix KM

**Series-3000psi**

**Light series**

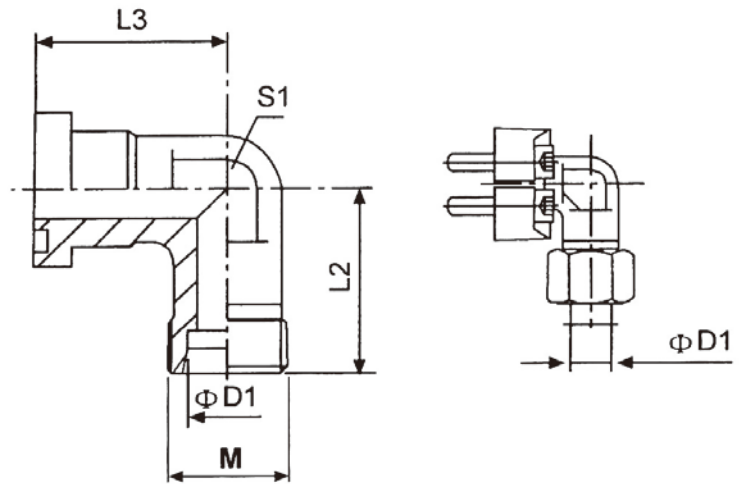
Inch	Ordering Example	Tube size D1	With Flange	Thread for Adaptor	S1	L2	L3	Max working pressure kg/c m <sup>2</sup>
1/2"	EMT-GWF301-15L	15L	EMT-FH301	M22X1.5	24	38	36	315
	EMT-GWF301-16S	16S		M24X1.5		40		350
3/4"	EMT-GWF302-18L	18L	EMT-FH302	M26X1.5	30	46	43	315
	EMT-GWF302-22L	22L		M30X2		46		160
	EMT-GWF302-20S	20S		M30X2		48		350
	EMT-GWF302-25S	25S		M36X2		48		350
1"	EMT-GWF303-28L	28L	EMT-FH303	M36X2	36	54	48	160
	EMT-GWF303-25S	25S		M36X2		54		350
	EMT-GWF303-30S	30S		M42X2		54		350
1 1/4"	EMT-GWF304-35L	35L	EMT-FH304	M45X2	41	59	53	160
	EMT-GWF304-25S	25S		M36X2		65		280
	EMT-GWF304-30S	30S		M42X2		65		280
	EMT-GWF304-38S	38S		M52X2		65		280
2"	EMT-GWF305-42L	42L	EMT-FH305	M52X2	50	64	58	160
	EMT-GWF305-38S	38S				68		210

Other form or requirements needs to be expressed by ordering.

**SAE 90° Flange Adapter(High pressure series)EMT-GWF--**

**Material**

- \* C45 Carbon steel Yellow zinked EMT-GWF-- C45 A3C
- \* C20 Carbon steel Yellow zinked: EMT-GWF--TC20 Blank Oiled
- \* A1S1 321/304 EMT-GWF--X
- \* A1S1 316 EMT-GWF--XX



**Ordering Information**

- \* Flange adapter only: EMT-GWF301-15L, EMT-GWF301-15L-X
- \* Adapter with flanges,bolts and O ring: for Metric bolts with the suffix M and UNC bolts with (he suffix U)
- \* Adapter with flanges ,bolts ,O ring,cutting ring and nul: with additional suffix KM

**Series-6000psi Heavy series**

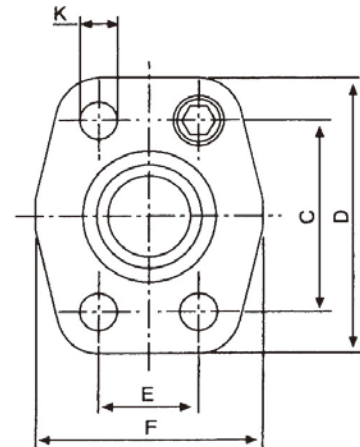
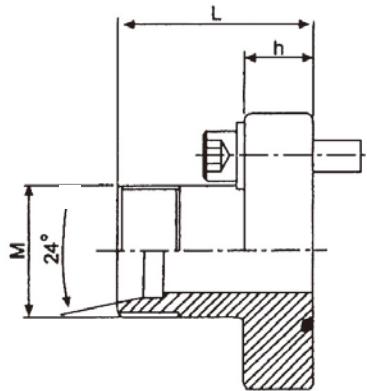
Inch	Ordering Example	Tube size D1	With Flange	Thread for Adaptor	S1	L2	L3	Max working pressure kg / c.m <sup>2</sup>
1/2"	EMT-GWF601-16S	16S	EMT-FH601	M24X1.5	24	40	39	400
3/4"	EMT-GWF602-16S	16S	EMT-FH602	M24X1.5	32	50	48	400
	EMT-GWF602-20S	20S		M30X2		50		
	EMT-GWF602-25S	25S		M36X2		50		
1"	EMT-GWF603-25S	25S	EMT-FH603	M36X2	41	59	60	400
	EMT-GWF603-30S	30S		M42X2		59		
1 1/4"	EMT-GWF604-30S	30S	EMT-FH604	M42X2	46	66	68	400
	EMT-GWF604-38S	38S		M52X2				
1 1/2"	EMT-GWF605-38S	38S	EMT-FH605	M52X2	50	75	76	315

Note.acc to national standard:JB/ZQ4008-97

**SAE Flange with 24° Cone end EMT-AFM--**

**Material**

- \* C45 Carbon steel Yellow zinked EMT-AFM-- C45 A3C
- \* C20 Carbon steel Yellow zinked: EMT-AFM--TC20 Blank Oiled
- \* A151 321/304 EMT-AFM--X
- \* A151 316 EMT-AFM--XX



**Ordering Information**

- \* Flange only: EMT-AFM301
- \* Flange with bolts and O ring: with the suffix M for metric bolts and the suffix U for UNC bolts
- \* Flange with bolts, o-ring, cutting ring and nut: with additional suffix KM

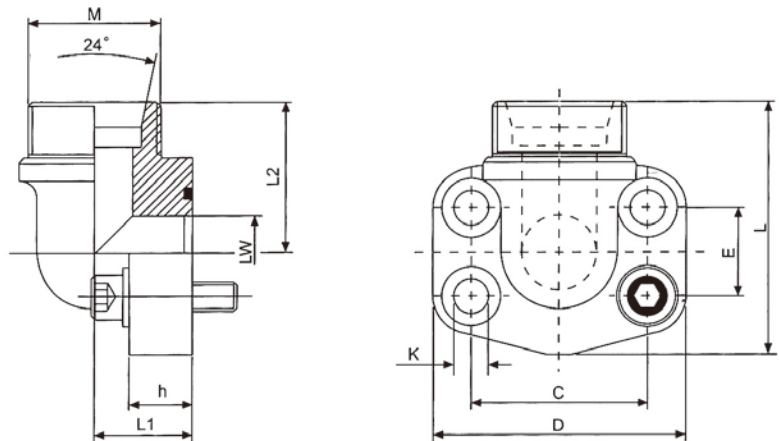
Inch	Ordering Example	Dimensions(mm)									Equipped with attachments		weight kg	working pressure kg/cm <sup>2</sup>
		Tube size D1	C	D	E	F	h	K	L	M	boit	O-ring		
Light series 3000 P.S. I														
1/2"	EMT-AFM301	15L	38.10	54	17.50	46	13	9	52	M22X1.5	M8X25	18.66x3.53	0.35	345
3/4"	EMT-AFM302	22L	47.63	65	22.26	50	14	11	60	M30X2	M10X30	25.00x3.53	0.60	345
1"	EMT-AFM303	28L	52.37	70	26.16	55	16	11	63	M36X2	M10X30	32.92x3.53	0.80	345
1 1/4"	EMT-AFM304	35L	58.72	79	30.18	68	16	11.5	65	M42X2	M10X35	37.70x3.53	1.00	250
1 1/2"	EMT-AFM305	42L	69.85	93	35.72	78	16	13.5	70	M52X2	M12X35	47.22x3.53	1.50	200
Heavy series 6000 P.S. I														
1/2"	EMT-AFM601	16S	40.49	54	18.24	46	16	9	60	M34X1.5	M8X30	18.66x3.53	1.40	400
3/4"	EMT-AFM602	20S	50.80	71	23.80	55	19	11	73	M30X2	M10X35	25.00x3.53	0.80	400
1"	EMT-AFM603	25S	57.17	79	27.78	68	24	13	82	M36X2	M12X45	32.92x3.53	1.00	315
1 1/4"	EMT-AFM604	30L	66.68	93	31.76	78	27	15	92	M42X2	M14X50	37.70x3.53	1.60	315
1 1/2"	EMT-AFM605	38S	79.38	112	36.52	94	30	17	96	M52X2	M16X55	47.22x3.53	2.20	315

Other form or requirements needs to be expressed by ordering.

**SAE Elbow Flange with 24° Cone end EMT-AFMW--**

**Material**

- \* C45 Carbon steel Yellow zinked EMT-AFMW-- C45 A3C
- \* C20 Carbon steel Yellow zinked: EMT-AFMW--TC20 Blank Oiled
- \* A151 321/304 EMT-AFMW--X
- \* A151 316 EMT-AFMW--XX



**Ordering Information**

- \*Flange only: EMT-AFMW301
- \*Flange with bolts and O ring: with the suffix M for metric bolts and the suffix U for UNC bolts
- \*Flange with bolts,o-ring, cutting ring and nut: with additional suffix KMW

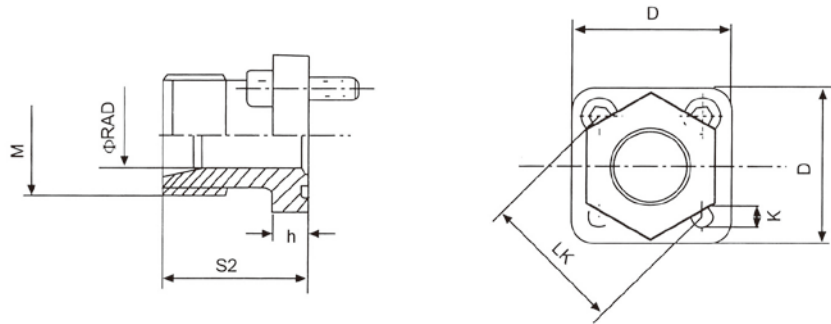
Inch	Ordering Example	Dimensions(mm)										Equipped with attachments		weight kg	working pressure kg/c m <sup>2</sup>
		钢管规格	C	D	E	h	K	L	L1	L2	M	boit	O-ring		
Light series 3000 P.S. I															
1/2"	EMT-AFMW301	15L	38.10	54	17.50	16	9	60	20	37	M22X1.5	M8X30	18.66x3.53	0.40	345
3/4"	EMT-AFMW302	22L	47.63	65	22.26	18	11	63	24	38	M30X2	M10X35	25.00x3.53	0.60	250
1"	EMT-AFMW303	28L	52.37	70	26.16	19	11	70	28	43	M36X2	M10X35	32.92x3.53	0.80	250
1 1/4"	EMT-AFMW304	35L	58.72	79	30.18	21	11.5	85	34	52	M42X2	M10X40	37.70x3.53	1.20	250
1 1/2"	EMT-AFMW305	42L	69.85	93	35.72	25	13.5	95	38	55	M52X2	M12X45	47.22x3.53	1.65	200
Heavy series 6000 P.S. I															
1/2"	EMT-AFMW601	16S	40.49	54	18.24	16	9	60	20	37	M34X1.5	M8X30	18.66x3.53	0.50	400
3/4"	EMT-AFMW602	20S	50.80	71	23.80	19	11	70	28	43	M30X2	M10X35	25.00x3.53	1.25	400
1"	EMT-AFMW603	25S	57.17	79	27.78	21	13	85	34	51	M36X2	M12X40	32.92x3.53	1.50	400
1 1/4"	EMT-AFMW604	30S	66.68	93	31.76	25	15	95	38	56	M42X2	M14X45	37.70x3.53	1.80	400
1 1/2"	EMT-AFMW605	38S	79.38	112	36.52	25	17	110	42	65	M52X2	M16X45	47.22x3.53	2.80	315

Other form or requirements needs to be expressed by ordering.

**Pump Flange Connection EMT-GF--LK--**

**Material**

- \* C45 Carbon steel Yellow zinked EMT-GF-LK-- C45 A3C
- \* C20 Carbon steel Yellow zinked: EMT-GF-LK--TC20 Blank Oiled
- \* A151 321/304 EMT-GF-LK--X
- \* A151 316 EMT-GF-LK--XX



**Ordering Information**

- \* Flange only: EMT-GF 30LK-L10
- \* Flange with bolts and 0 ring: with the suffix M for metric belts and suffix U for UNC bolts
- \* Flange with bogs, 0 ring, cutting ring and nut: with additional suffix KM

Ordering Example	ØRDA	Dimensions(mm)						Equipped with attachments		Max working pressure kg/c m <sup>2</sup>
		D	h	K	LK	S2	M	boit	O-ring	
EMT-GF 30LK-L10	L10	36	8	6.5	30	30	M16X1.5	4XM6X22	20X2.5	315
EMT-GF 30LK-L12	L12	36	8	6.5	30	30	M18X1.5	4XM6X22	20X2.5	315
EMT-GF 35LK-L10	L15	39	8	6.5	35	30	M16X1.5	4XM6X22	20X2.5	315
EMT-GF 35LK-L12	L18	39	8	6.5	35	30	M18X1.5	4XM6X22	20X2.5	315
EMT-GF 35LK-L15	L15	39	8	6.5	35	30	M22X1.5	4XM6X22	20X2.5	250
EMT-GF 35LK-L18	L18	39	8	6.5	35	30	M26X1.5	4XM6X22	20X2.5	250
EMT-GF 40LK-L15	L22	42	8	6.5	40	35	M22X1.5	4XM6X22	26X2.5	100
EMT-GF 40LK-L18	L28	42	8	6.5	40	35	M26X1.5	4XM6X22	26X2.5	100
EMT-GF 40LK-L22	L35	42	8	6.5	40	35	M30X2	4XM6X22	26X2.5	100
EMT-GF 40LK-L28	S16	42	8	6.5	40	42	M36X2	4XM6X22	26X2.5	100
EMT-GF 35LK-S16	S20	39	8	6.5	35	30	M24X1.5	4XM6X22	20X2.5	315
EMT-GF 55LK-S20	S20	55	8	8.5	55	42	M30X2	4XM8X25	32X2.5	250

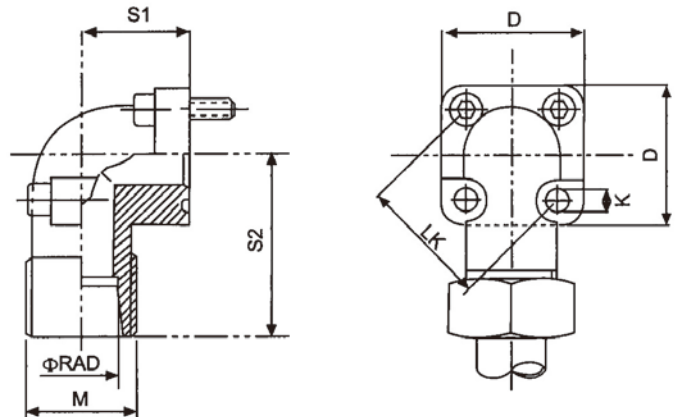
Other form or requirements needs to be expressed by ordering.



**Eibow Pump Flange Connection EMT-WF-LK--**

**Material**

- \* C45 Carbon steel Yellow zinked EMT-WF-LK-- C45 A3C
- \* C20 Carbon steel C20 Yellow zinked: EMT-WF-LK--TC20 Blank Oiled
- \* A151 321/304 EMT-WF-LK--X
- \* A151 316 EMT-WF-LK--XX



**Ordering Information**

- \* Flange only: EMT-WF35LK-L10
- \* Flange with bolts and O ring: with the suffix M for metric belts and suffix U for UNC bolts
- \* Flange with bolt, O ring, cutting ring and nut: with additional suffix KM

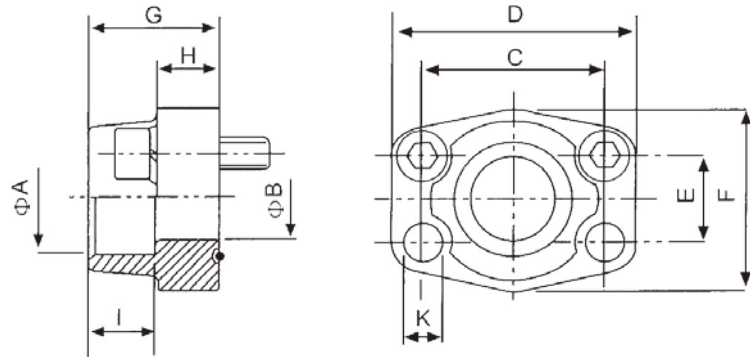
Ordering Example	ØRDA	Dimensions(mm)						Equipped with attachments		Max working pressure kg / c m <sup>2</sup>
		D	K	LK	S1	S2	M	boit	O-ring	
EMT-WF 35LK-L10	L10	39	6.5	35	16.5	38	M16X1.5	M6X22/M6X35	20X2.5	315
EMT-WF 35LK-L12	L12	39	6.5	35	16.5	38	M18X1.5	M6X22/M6X35	20X2.5	315
EMT-WF 35LK-L15	L15	39	6.5	35	16.5	38	M16X1.5	M6X22/M6X35	20X2.5	250
EMT-WF 35LK-L18	L18	39	6.5	35	20.5	38	M18X1.5	M6X22/M6X40	20X2.5	250
EMT-WF 40LK-L15	L15	42	6.5	40	22.5	38	M22X1.5	M6X22/M6X40	26X2.5	100
EMT-WF 40LK-L18	L18	42	6.5	40	22.5	38	M26X1.5	M6X22	26X2.5	100
EMT-WF 40LK-L22	L22	42	6.5	40	22.5	38	M22X1.5	M6X22	26X2.5	100
EMT-WF 40LK-L28	L28	42	6.5	40	28	40	M26X1.5	M6X22/M6X50	26X2.5	100
EMT-WF 40LK-L35	L35	42	6.5	40	34	41	M30X2	M6X22/M6X60	26X2.5	100
EMT-WF 35LK-S16	S16	39	6.5	35	20	38	M36X2	M6X22/M6X40	20X2.5	315
EMT-WF 35LK-S20	S20	39	6.5	35	25	45	M24X1.5	M6X22/M6X45	20X2.5	315
EMT-WF 40LK-S20	S20	42	6.5	40	22.5	40	M30X2	M6X22/M6X45	26X2.5	250

Other form or requirements needs to be expressed by ordering.

**SAE Socket weld Flange EMT-AFS-S**

**Material**

- \* C45 Carbon steel Yellow zinked EMT-AFS-SC45 A3C
- \* C20 Carbon steel Yellow zinked: EMT-AFS-S--C20 Blank Oiled
- \* A151 321/304 EMT-AFS-S--X
- \* A151 316 EMT-AFS-S--XX



**Ordering Information**

- \* Flange only: EMT-AFS301S, EMT-AFS301S-X
- \* Flange with bolts and O ring: with the suffix M for metric bolts and the suffix U for UNO bolts
- \* AFS--S and GFS--S assembled: DFS301S, DFS301S-X

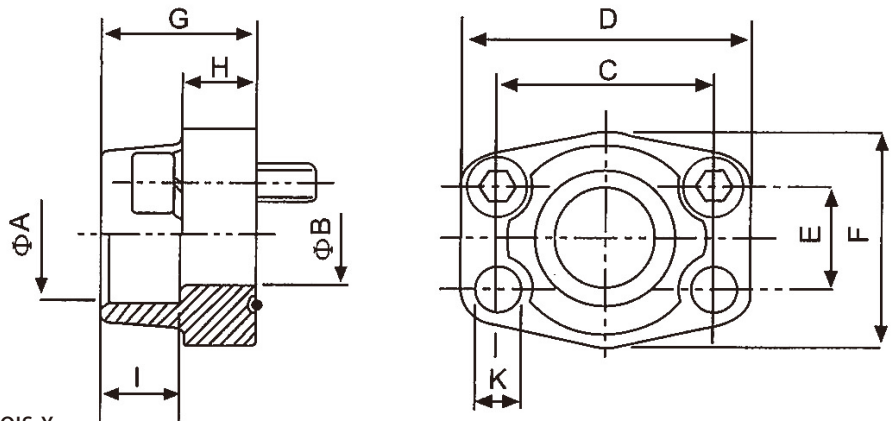
Inch	Ordering Example	Dimensions(mm)										Equipped with attachments		weight kg	working pressure kg / c m <sup>2</sup>
		A	B	C	D	E	F	G	H	I	K	boit	O-ring		
<b>Light 3000 P.S. I</b>															
1/2"	EMT-AFS 301S	21.60	13	38.10	54	17.50	46	36	16	19	9	M8X30	18.66X3.53	0.25	345
3/4"	EMT-AFS 302S	27.20	19	47.63	65	22.26	50	36	18	19	11	M10X35	25.00X3.53	0.39	345
3/4"	EMT-AFS 302S-25	25.30	19	47.63	65	22.26	50	36	18	19	11	M10X35	25.00X3.53	0.39	345
1"	EMT-AFS 303S	34.00	25	52.37	70	26.16	55	38	18	19	11	M10X35	32.92X3.53	0.46	345
1 1/4"	EMT-AFS 304S	42.80	32	58.72	79	30.18	68	41	21	22	11.5	M10X40	37.70X3.53	0.66	276
1 1/4"	EMT-AFS 304S-38	38.30	32	58.72	79	30.18	68	41	21	22	11.5	M 10X40	37.70X3.53	0.66	276
1 1/2"	EMT-AFS305S	48.60	38	69.85	93	35.72	78	45	25	24	13.5	M 12X45	47.22X3.53	1.05	207
1 1/2"	EMT-AFS 305S-50	50.50	38	69.85	93	35.72	78	45	25	24	13.5	M 12X45	47.22X3.53	1.05	207
2"	EMT-AFS 306S	61.00	51	77.77	102	42.88	90	45	25	26	13.5	M 12X45	56.75X3.53	1.19	207
2 1/2"	EMT-AFS 307S	76.60	63	88.90	114	50.80	105	50	25	30	13,5	M12X45	69.45X3,53	1.40	172
3"	EMT-AFS 308S	90.50	73	106.38	134	61.92	124	50	27	34	17	M16X50	85.32X3.53	2.15	138
3 1/2"	EMT-AFS 309S	103.00	89	120.65	152	69.84	136	48	27	34	17	M16X50	98.02X3.53	2.40	34
4"	EMT-AFS 310S	115.50	99	130.18	162	77.76	146	48	27	34	17	M16X50	110.72X3.53	2.85	34
<b>Heavy 6000 P.S. I</b>															
1/2"	EMT-AFS 601S	21.60	13	40.49	54	18.24	46	36	16	19	9	M8X30	18.66X3.53	0.26	414
3/4"	EMT-AFS 602S	27.20	19	50.80	71	23.80	55	36	21	22	11	M10X35	25.00X3.53	0.50	414
1"	EMT-AFS 603S	34.00	25	57.17	81	27.78	65	42	25	22	13	M 12X45	32.92X3.53	0.76	414
1 1/4"	EMT-AFS 604S	42.80	32	66.68	95	31.76	78	45	27	25	15	M14X50	37.70X3.53	1.20	414
1 1/4"	EMT-AFS 604S-38	38.30	32	66.68	95	31.76	78	45	27	25	15	M14X50	37.70X3.53	1.20	414
1 1/2"	EMT-AFS 605S	48.60	38	79.38	112	36.52	94	50	30	28	17	M16X55	47.22X3.53	1.65	414
2"	EMT-AFS 606S	61.00	51	96.82	134	44.46	114	65	37	32	21	M20X70	56.75X3.53	2.45	414

Other form or requirements needs to be expressed by ordering.

## SAE Socket weld Flange EMT-GFS-S

### Material

- \* C45 Carbon steel Yellow zinked EMT-GFS-SC45 A3C
- \* C20 Carbon steel Yellow zinked: EMT-GFS-S--C20 Blank Oiled
- \* A151 321/304 EMT-GFS-S--X
- \* A151 316 EMT-GFS-S--XX



### Ordering Information

- \* Flange only: EMT-GFS301S, EMT-GFS30IS-X
- \* EMT-AFS--S and EMT-GFS--S assembled: EMT-DFS30IS, EMT-DFS301S-X

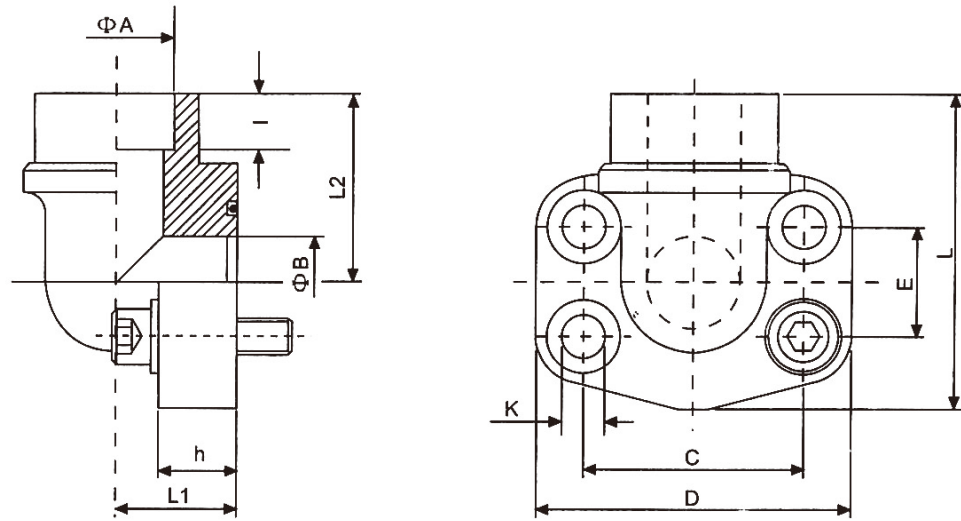
Inch	Ordering Example	Dimensions(mm)										weight kg	Max working pressure kg/cm <sup>2</sup>
		A	B	C	D	E	F	G	H	I	M		
Light 3000 P.S. I													
1/2"	EMT-GFS 301S	21.60	13	38.10	54	17.50	46	36	16	19	M8	0.25	345
3/4"	EMT-GFS 302S	27.20	19	47.63	65	22.26	50	36	18	19	M10	0.39	345
3/4"	EMT-GFS 302S-25	25.30	19	47.63	65	22.26	50	36	18	19	M10	0.39	345
1"	EMT-GFS 303S	34.00	25	52.37	70	26.16	55	38	18	19	M10	0.46	345
1 1/4"	EMT-GFS 304S	42.80	32	58.72	79	30.18	68	41	21	22	M10	0.66	276
1 1/4"	EMT-GFS 304S-38	38.30	32	58.72	79	30.18	68	41	21	22	M10	0.66	276
1 1/2"	EMT-GFS305S	48.60	38	69.85	93	35.72	78	45	25	24	M12	1.05	207
1 1/2"	EMT-GFS 305S-50	50.50	38	69.85	93	35.72	78	45	25	24	M12	1.05	207
2"	EMT-GFS 306S	61.00	51	77.77	102	42.88	90	45	25	26	M12	1.19	207
2 1/2"	EMT-GFS 307S	76.60	63	88.90	114	50.80	105	50	25	30	M12	1.40	172
3"	EMT-GFS 308S	90.50	73	106.38	134	61.92	124	50	27	34	M16	2.15	138
3 1/2"	EMT-GFS 309S	103.00	89	120.65	152	69.84	136	48	27	34	M16	2.40	34
4"	EMT-GFS 310S	115.50	99	130.18	162	77.76	146	48	27	34	M16	2.85	34
Heavy 6000 P.S. I													
1/2"	EMT-GFS 601S	21.60	13	40.49	54	18.24	46	36	16	19	M8	0.26	414
3/4"	EMT-GFS 602S	27.20	19	50.80	71	23.80	55	36	21	22	M10	0.50	414
1"	EMT-GFS 603S	34.00	25	57.20	81	27.78	65	42	25	22	M12	0.76	414
1 1/4"	EMT-GFS 604S	42.80	32	66.65	95	31.76	78	45	27	25	M14	1.20	414
1 1/4"	EMT-GFS 604S-38	38.30	32	66.65	95	31.76	78	45	27	25	M14	1.20	414
1 1/2"	EMT-GFS 605S	48.60	38	79.35	112	36.52	94	50	30	28	M16	1.65	414
2"	EMT-GFS 606S	61.00	51	96.80	134	44.46	114	65	37	32	M20	2.45	414

Other form or requirements needs to be expressed by ordering.

**SAE Elbow Socket Weld Flange EMT-AFW--S**

**Material**

- \* C45 Carbon steel Yellow zinked EMT-AFW-SC45 A3C
- \* C20 Carbon steel Yellow zinked: EMT-AFW-S--C20 Blank Oiled
- \* A1S1 321/304 EMT-AFW-S--X
- \* A1S1 316 EMT-AFW-S--XX



**Ordering Information**

- \* Flange only: EMT-AFW301S, EMT-AFW301S-X
- \* Flange with bolts and O-ring: with the suffix M for metric bolts and the suffix U for UNC bolt

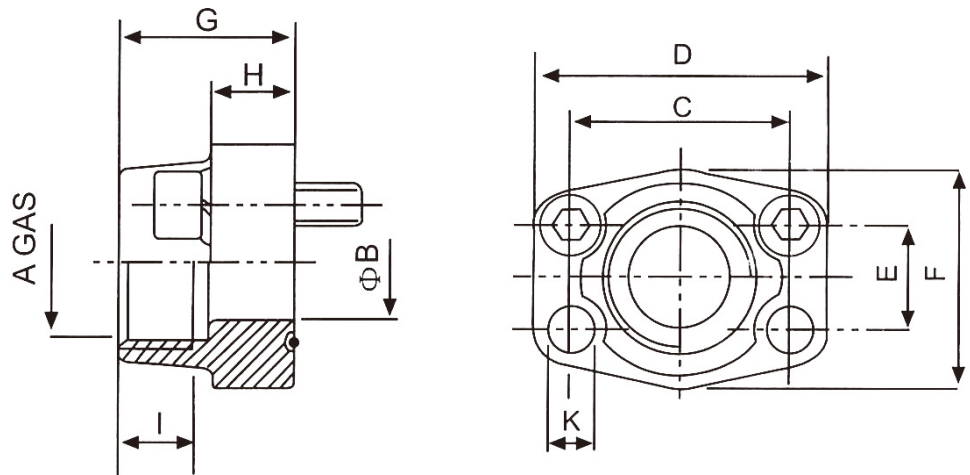
Inch	Ordering Example	Dimensions(mm)											Equipped with attachments		weight kg	working pressure kg / c m <sup>2</sup>
		A	B	C	D	E	h	I	K	L	L1	L2	螺栓 bolt	O型圈 O-ring		
Light series 3000 P.S. I																
1/2"	EMT-AFW 301S	21.60	13	38.10	54	17.50	16	10	9	60	20	37	M8X30	18.66X3.53	0.40	345
3/4"	EMT-AFW 302S	27.20	19	47.63	65	22.26	18	10	11	63	24	38	M10X35	25.00X3.53	0.60	345
1"	EMT-AFW 303S	34.00	25	52.37	70	26.16	19	12	11	70	28	43	M10X35	32.92X3.53	0.80	345
1 1/4"	EMT-AFW 304S	42.80	32	58.72	79	30.18	21	14	11.5	85	34	51	M10X40	37.70X3.53	1.20	276
1 1/2"	EMT-AFW305S	48.60	38	69.85	93	35.72	25	16	13.5	95	38	55	M12X45	47.22X3.53	1.65	207
2"	EMT-AFW306S	61.00	51	77.77	102	42.88	25	18	13.5	110	42	65	M12X45	56.75X3.53	2.00	207
Heavy series 6000 P.S. I																
1/2"	EMT-AFW601S	21.60	13	40.49	54	18.24	16	10	9	60	20	37	M8X30	18.66X3.53	0.50	414
3/4"	EMT-AFW 602S	27.20	19	50.80	71	23.80	19	12	11	70	28	43	M10X35	25.00X3.53	1.25	414
1"	EMT-AFW 603S	34.00	25	57.17	79	27.78	21	14	13	85	34	51	M12X40	32.92X3.53	1.50	414
1 1/4"	EMT-AFW 604S	42.80	32	66.68	93	31.76	25	16	15	95	38	56	M14X45	37.70X3.53	1.80	414
1 1/2"	EMT-AFW605S	48.60	38	79.38	112	36.52	25	18	17	100	42	65	M16X45	47.22X3.53	2.80	414
2"	EMT-AFW 606S	61.00	51	96.82	134	44.46	29	18	21	150	60	92	M20X55	56.75X3.53	4.00	414

Other form or requirements needs to be expressed by ordering.

## SAE BSPP Thread Flange EMT-AFS--G

### Material

- \* C45 Carbon steel Yellow zinked EMT-AFS-GC45 A3C
- \* C20 Carbon steel Yellow zinked: EMT-AFS-G--C20 Blank Oiled
- \* A1S1 321/304 EMT-AFS-G--X
- \* A1S1 316 EMT-AFS-G--XX



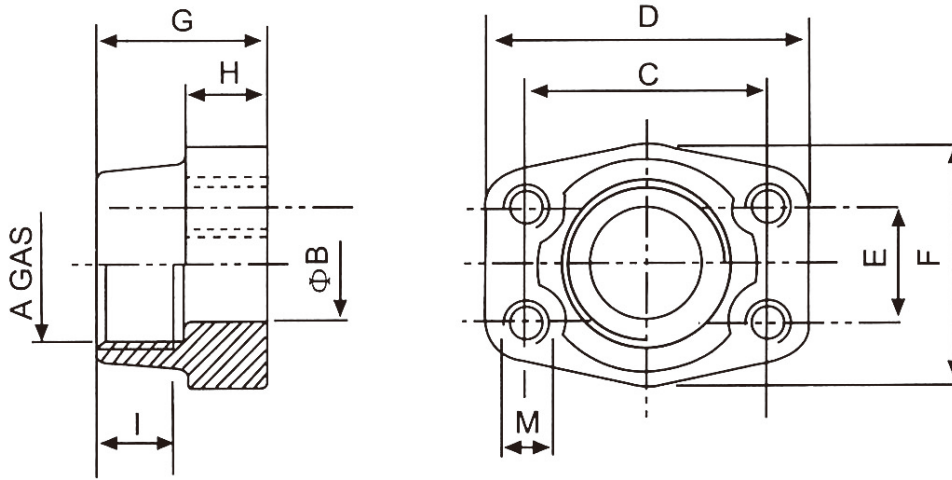
### Ordering Information

- \* Flange only: EMT-AFS301G, EMT-AFS30IG-X
- \* Flange with bolts and O ring: with the suffix M for metric bolts and the suffix U for UNO bolts
- \* EMT-AFS--S and EMT-GFS--S assembled: EMT-DFS30IG, EMT-DFS301G-X

Inch	Ordering Example	Dimensions(mm)										Equipped with attachments		weight kg	working pressure kg / c.m <sup>2</sup>
		A	B	C	D	E	F	G	H	I	K	boit	O-ring		
Light series 3000 P.S. I															
1/2"	EMT-AFS 301G	G1/2"	13	38.10	54	17.50	46	36	16	19	9	M8X30	18.66X3.53	0.25	345
3/4"	EMT-AFS 302G	G3/4"	19	47.63	65	22.26	50	36	18	19	11	M10X35	25.00X3.53	0.39	345
1"	EMT-AFS 303G	G1"	25	52.37	70	26.16	55	38	18	19	11	M10X35	32.92X3.53	0.46	345
1 1/4"	EMT-AS 304G	G1 1/4"	32	58.72	79	30.18	68	41	21	22	11.5	M 10X40	37.70X3.53	0.66	276
1 1/2"	EMT-AFS305G	G1 1/2"	38	69.85	93	35.72	78	45	25	24	13.5	M12X45	47.22X3.53	1.05	207
2"	EMT-AFS306G	G2"	51	77.77	102	42.88	90	45	25	26	13.5	M12X45	56.75X3.53	1.19	207
2 1/2"	EMT-AFS307G	G2 1/2"	63	88.90	114	50.80	105	50	25	30	13.5	M12X45	69.45X3.53	1.40	172
3"	EMT-AFS308G	G3"	73	106.38	134	61.92	124	50	27	34	17	M16X50	85.32X3.53	2.15	138
Heavy series 6000 P.S. I															
1/2"	EMT-AFS601G	G1/2"	13	40.49	54	18.24	46	36	16	19	9	M8X30	18.66X3.53	0.26	414
3/4"	EMT-AFS 602G	G3/4"	19	50.80	71	23.80	55	36	21	22	11	M10X35	25.00X3.53	0.50	414
1"	EMT-AFS 603G	G1"	25	57.17	81	27.78	65	42	25	22	13	M12X50	32.92X3.53	0.76	414
1 1/4"	EMT-AFS 604G	G1 1/4"	32	66.68	95	31.78	78	45	27	25	15	M14X50	37.70X3.53	1.20	414
1 1/2"	EMT-AFS605G	G1 1/2"	38	79.38	112	36.52	94	50	30	28	17	M16X55	47.22X3.53	1.65	414
2"	EMT-AFS 606G	G2"	51	96.82	134	44.46	114	65	37	32	21	M20X70	56.75X3.53	2.45	414

Other form or requirements needs to be expressed by ordering.

**SAE BSPP Thread Flange EMT-GFS--G**



**Material**

- \* C45 Carbon steel Yellow zinked EMT-GFS-GC45 A3C
- \* C20 Carbon steel Yellow zinked: EMT-GFS-G--C20 Blank Oiled
- \* A151 321/304 EMT-GFS-G--X
- \* A151 316 EMT-GFS-G--XX

**Ordering Information**

- \* Flange only: EMT-GFS301G, EMT-GFS30IG-X
- \* EMT-AFS--S and EMT-GFS--S assembled: EMT-DFS30IG, EMT-DFS301G-X

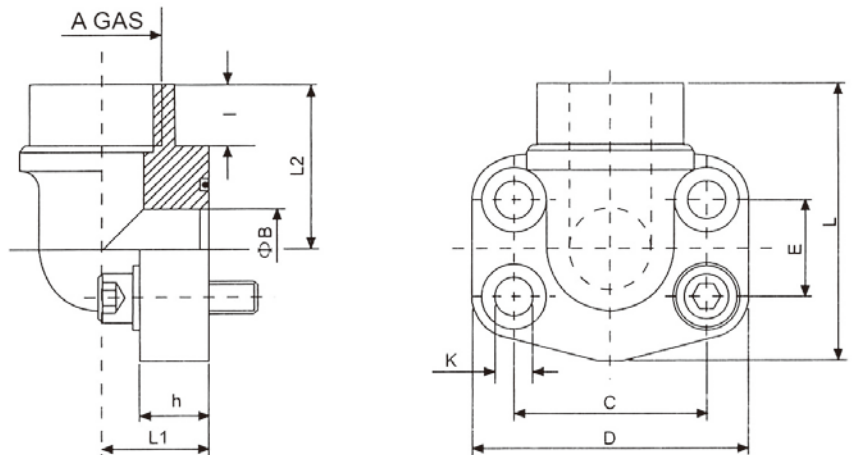
Inch	Ordering Example	Dimensions(mm)										weight kg	Max working pressure kg / c m <sup>2</sup>
		A	B	C	D	E	F	G	H	I	M		
Light series 3000 P.S. I													
1/2"	EMT-GFS 301G	G1/2"	13	38.10	54	17.50	46	36	16	19	M8	0.25	345
3/4"	EMT-GFS 302G	G3/4"	19	47.63	65	22.26	50	36	18	19	M10	0.39	345
1"	EMT-GFS 303G	G1"	25	52.37	70	26.16	55	38	18	19	M10	0.46	345
1 1/4"	EMT-GFS 304G	G1 1/4"	32	58.72	79	30.18	68	41	21	22	M10	0.66	276
1 1/2"	EMT-GFS305G	G1 1/2"	38	69.85	93	35.72	78	45	25	24	M12	1.05	207
2"	EMT-GFS306G	G2"	51	77.77	102	42.88	90	45	25	26	M12	1.19	207
2 1/2"	EMT-GFS307G	G2 1/2"	63	88.90	114	50.80	105	50	25	30	M12	1.40	172
3"	EMT-GFS308G	G3"	73	106.38	134	61.92	124	50	27	34	M16	2.15	138
Heavy series 6000 P.S. I													
1/2"	EMT-GFS601G	G1/2"	13	40.49	54	18.24	46	36	16	19	M8	0.26	414
3/4"	EMT-GFS 602G	G3/4"	19	50.80	71	23.80	55	36	21	22	M10	0.50	414
1"	EMT-GFS 603G	G1"	25	57.17	81	27.78	65	42	25	22	M12	0.76	414
1 1/4"	EMT-GFS 604G	G1 1/4"	32	66.68	95	31.78	78	45	27	25	M14	1.20	414
1 1/2"	EMT-GFS605G	G1 1/2"	38	79.38	112	36.52	94	50	30	28	M16	1.65	414
2"	EMT-GFS 606G	G2"	51	96.82	134	44.46	114	65	37	32	M20	2.45	414

Other form or requirements needs to be expressed by ordering.

**SAE90° BSPP Thread Flange EMT-AFW--G**

**Material**

- \* C45 Carbon steel Yellow zinked EMT-GFS-GC45 A3C
- \* C20 Carbon steel Yellow zinked: EMT-AFW-G--C20 Blank Oiled
- \* A1S1 321/304 EMT-AFW-G--X
- \* A1S1 316 EMT-AFW-G--XX



**Ordering Information**

- \* Flange only: EMT-AFW301G, EMT-AFW30IG-X
- \* Flange with bolts and O ring: with the suffix M for metric bolts and the suffix U for UNO bolts

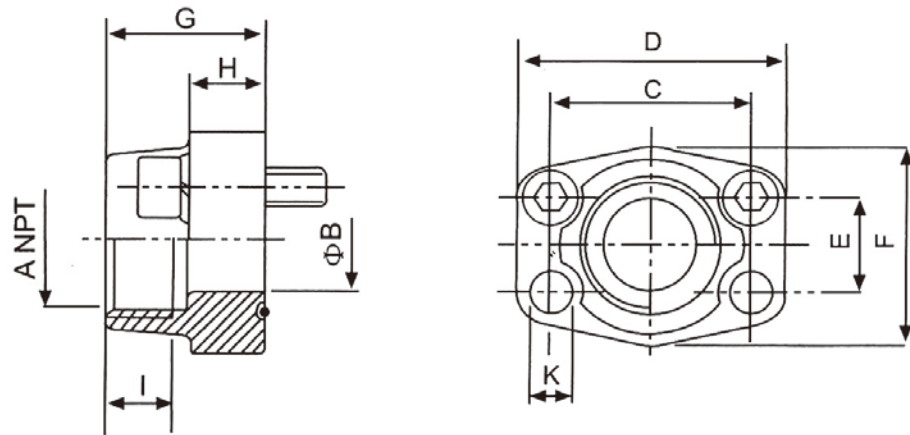
Inch	Ordering Example	Dimensions(mm)											Equipped with attachments		weight kg	working pressure kg/cm <sup>2</sup>
		A	B	C	D	E	h	i	K	L	L1	L2	boit	O-ring		
Light series 3000 P.S. I																
1/2"	EMT-AFW 301G	G1/2"	13	38.10	54	17.50	16	19	9	60	20	37	M8X30	18.66X3.53	0.40	345
3/4"	EMT-AFW 302G	G3/4"	19	47.63	65	22.26	18	19	11	63	24	38	M10X35	25.00X3.53	0.60	345
1"	EMT-AFW 303G	G1"	25	52.37	70	26.16	19	20	11	70	28	43	M10X35	32.92X3.53	0.80	345
1 1/4"	EMT-AFW 304G	G1 1/4"	32	58.72	79	30.18	21	22	11	85	34	51	M10X40	37.70X3.53	1.20	276
1 1/2"	EMT-AFW305G	G1 1/2"	38	69.85	93	35.72	25	25	13.5	95	38	56	M12X45	47.22X3.53	1.65	207
2"	EMT-AFW306G	G 2"	51	77.77	102	42.88	25	28	13.5	110	42	65	M12X45	56.75X3.53	2.00	207
Heavy series 6000 P.S. I																
1/2"	EMT- AFW601G	G1/2"	13	40.49	54	18.24	16	19	9	60	20	37	M8X30	18.66X3.53	0.50	414
3/4"	EMT-AFW 602G	G3/4"	19	50.80	70	23.80	19	19	11	70	28	43	M10X35	25.00X3.53	1.25	414
1"	EMT-AFW 603G	G 1"	25	57.17	79	27.78	21	20	13	85	34	51	M12X40	32.92X3.53	1.50	414
1 1/4"	EMT-AFW 604G	G1 1/4"	32	66.68	93	31.76	25	22	15	95	38	56	M14X45	37.70X3.53	1.80	414
1 1/2"	EMT-AFW605G	G1 1/2"	38	79.38	110	36.52	25	25	17	100	42	65	M16X45	47.22X3.53	2.80	414
2"	EMT-AFW 606G	G 2"	51	96.82	134	44.46	29	28	21	150	60	92	M20X55	56.75X3,53	4.00	414

Other form or requirements needs to be expressed by ordering.

**SAE NPT Thread Flange EMT-AFS--N**

**Material**

- \* C45 Carbon steel Yellow zinked EMT-GFS-NC45 A3C
- \* C20 Carbon steel Yellow zinked: EMT-AFS-N--C20 Blank Oiled
- \* A1S1 321/304 EMT-AFS-N--X
- \* A1S1 316 EMT-AFS-N--XX



**Ordering Information**

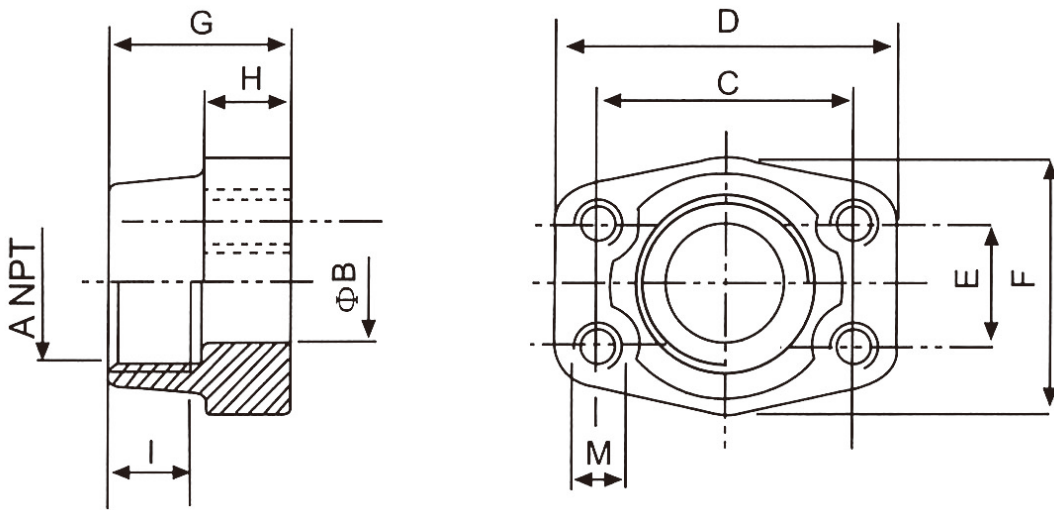
- \* Flange only: EMT-AFS301N
- \* Flange with bolts and O ring: with the suffix M for metric bolts and the suffix U for UNO bolts
- \* EMT-AFS and EMT-GFS assembled: EMT-DFS30IN, EMT-DFS301N-X

Inch	Ordering Example	Dimensions(mm)										Equipped with attachments		weight kg	Max working pressure kg / c.m <sup>2</sup>
		A	B	C	D	E	F	G	H	I	K	boit	O-ring		
Light series 3000 P.S. I															
1/2"	EMT-AFS 301N	NTP1/2"	13	38.10	54	17.50	46	36	16	19	9	M8X30	18.66X3.53	0.25	345
3/4"	EMT-AFS 302N	NTP3/4"	19	47.63	65	22.26	50	36	18	19	11	M10X35	25.00X3.53	0.39	345
1"	EMT-AFS 303N	NTP1"	25	52.37	70	26.16	55	38	18	19	11	M10X35	32.92X3.53	0.46	345
1 1/4"	EMT-AS 304N	NTP1 1/4"	32	58.72	79	30.18	68	41	21	22	11.5	M10X35	37.70X3.53	0.66	276
1 1/2"	EMT-AFS305N	NTP1 1/2"	38	69.85	93	35.72	78	45	25	24	13.5	M 12X45	47.22X3.53	1.05	207
2"	EMT-AFS306N	NTP2"	51	77.77	102	42.88	90	45	25	26	13.5	M 12X45	56.75X3.53	1.19	207
2 1/2"	EMT-AFS307N	NTP2 1/2"	63	88.90	114	50.80	105	50	25	30	13.5	M 12X45	69.45X3.53	1.40	172
3"	EMT-AFS308N	NTP3"	73	106.38	134	61.92	124	50	27	34	17	M16X50	85.32X3.53	2.15	138
Heavy series 6000 P.S. I															
1/2"	EMT-AFS601N	NTP1/2"	13	40.49	54	18.24	46	36	16	19	9	M8X30	18,66X3.53	0.26	414
3/4"	EMT-AFS 602N	NTP3/4"	19	50.80	71	23.80	55	36	21	22	11	M10X35	25.00X3.53	0.50	414
1"	EMT-AFS 603N	NTP1"	25	57.17	81	27.78	65	42	25	22	13	M 12X45	32.92X3.53	0.76	414
1 1/4"	EMT-AFS 604N	NTP1 1/4"	32	66.68	95	31.76	78	45	27	25	15	M14X50	37.70X3.53	1.20	414
1 1/2"	EMT-AFS605N	NTP1 1/2"	38	79.38	112	36.52	94	50	30	28	17	M16X55	47.22X3.53	1.65	414
2"	EMT-AFS 606N	NTP2"	51	96.82	134	44.46	114	65	37	32	21	M20X70	56.75X3.53	2.45	414

Other form or requirements needs to be expressed by ordering.



**SAE NPT Thread Flange EMT-GFS--N**



**Material**

- \* C45 Carbon steel Yellow zinked EMT-GFS-NC45 A3C
- \* C20 Carbon steel Yellow zinked: EMT-GFS-N--C20 Blank Oiled
- \* A1S1 321/304 EMT-GFS-N--X
- \* A1S1 316 EMT-GFS-N--XX

**Ordering Information**

- \* Flange only:EMT-GFS301N,EMT-GFS301N-X
- \* EMT-AFS andEMT- GFS assembled:EMT-DFS301N, EMT-DFS301N-X

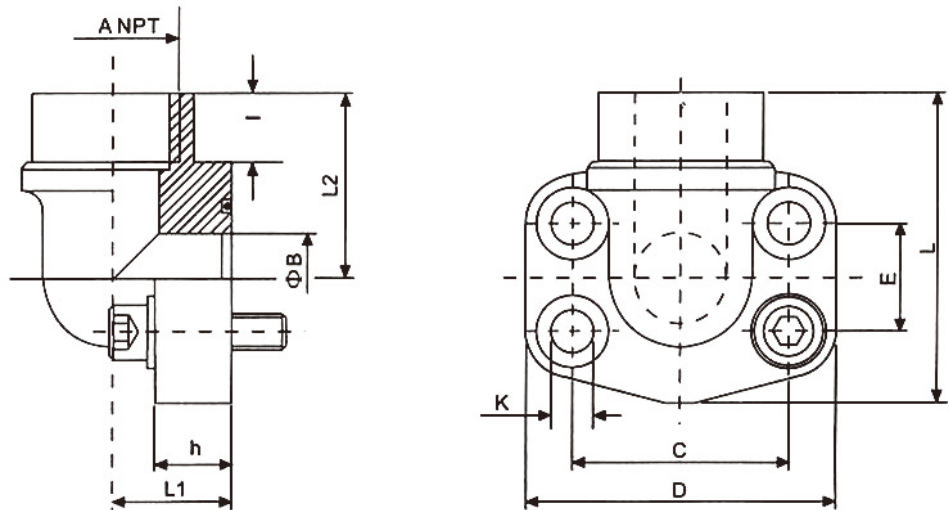
Inch	Ordering Example	Dimensions(mm)										weight kg	Max working pressure kg / c.m <sup>2</sup>
		A	B	C	D	E	F	G	H	I	M		
Light series 3000 P.S. I													
1/2"	EMT-GFS 301N	NPT1/2"	13	38.10	54	17.50	46	36	16	19	M8	0.25	345
3/4"	EMT-GFS 302N	NPT3/4"	19	47.63	65	22.26	50	36	18	19	M10	0.39	345
1"	EMT-GFS303N	NPT1"	25	52.37	70	26.16	55	38	18	19	M10	0.46	345
1 1/4"	EMT-GFS304N	NPT1 1/4"	32	58.72	79	30.18	68	41	21	22	M10	0.66	276
1 1/2"	EMT-GFS305N	NPT1 1/2"	38	69.85	93	35.72	78	45	25	24	M12	1.05	207
2"	EMT-GFS306N	NPT2"	51	77.77	102	42.88	90	45	25	26	M12	1.19	207
2 1/2"	EMT-GFS307N	NPT2 1/2"	63	88.90	114	50.80	105	50	25	30	M12	1.40	172
3"	EMT-GFS308N	NPT3"	73	106.38	134	61.92	124	50	27	34	M16	2.15	138
Heavy series 6000 P.S. I													
1/2"	EMT-GFS601N	NPT1/2"	13	40.49	54	18.24	46	36	16	19	M8	0.26	414
3/4"	EMT-GFS 602N	NPT3/4"	19	50.80	71	23.80	55	36	21	22	M10	0.50	414
1"	EMT-GFS603N	NPT1"	25	57.17	81	27.78	65	42	25	22	M12	0.76	414
1 1/4"	EMT-GFS604N	NPT1 1/4"	32	66.68	95	31.76	78	45	27	25	M14	1.20	414
1 1/2"	EMT-GFS605N	NPT1 1/2"	38	79.38	112	36.52	94	50	30	28	M16	1.65	414
2"	EMT-GFS606N	NPT2"	51	96.82	134	44.46	114	65	37	32	M20	2.45	414

Other form or requirements needs to be expressed by ordering.

**SAE Elbow NPT Thread Flange AFW--N**

**Material**

- \* C45 Carbon steel Yellow zinked EMT-AFW-NC45 A3C
- \* C20 Carbon steel Yellow zinked: EMT-AFW-N--C20 Blank Oiled
- \* A1S1 321/304 EMT-AFW-N--X
- \* A1S1 316 EMT-AFW-N--XX



**Ordering Information**

- \* Flange only: EMT-AFW301S, EMT-AFW301N-X
- \* Flange with bolts and O ring: with the suffix M for metric bolts and the suffix U for UNO bolts

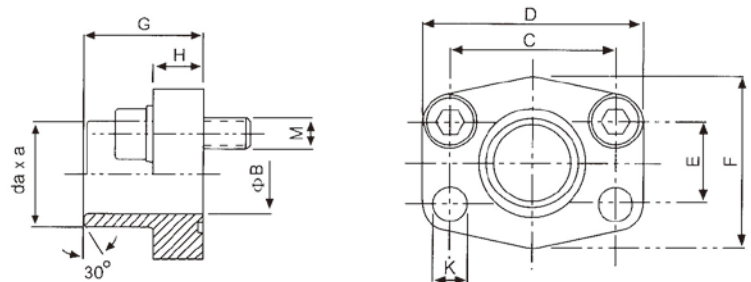
Inch	Ordering Example	Dimensions(mm)											Equipped with attachments		weight kg	working pressure kg / cm <sup>2</sup>
		A	B	C	D	E	h	i	K	L	L1	L2	boit	O-ring		
Light series 3000 P.S. I																
1/2"	EMT-AFW 301N	NPT1/2"	13	38.10	54	17.50	16	19	9	60	20	37	M8X30	18.66X3.53	0.40	345
3/4"	EMT-AFW 302N	NPT3/4"	19	47.63	65	22.26	18	19	11	63	24	38	M10X35	25.00X3.53	0.60	345
1"	EMT-AFW 303N	NPT1"	25	52.37	65	26.16	19	20	11	70	28	43	M10X35	32.92X3.53	0.80	345
1 1/4"	EMT-AFW 304N	NPT1 1/4"	32	58.72	70	30.18	21	22	11.5	85	34	51	M10X40	37.70X3.53	1.20	276
1 1/2"	EMT-AFW305N	NPT1 1/2"	38	69.85	79	35.72	25	25	13.5	95	38	55	M12X45	47.22X3.53	1.65	207
2"	EMT-AFW306N	NPT2"	51	77.77	102	42.88	25	28	13.5	110	42	65	M12X45	56.75X3.53	2.00	207
Heavy series 6000 P.S. I																
1/2"	EMT-AFW601N	NPT1/2"	13	40.49	54	18.24	16	19	9	60	20	37	M8X30	18.66X3.53	0.50	414
3/4"	EMT-AFW 602N	NPT3/4"	19	50.80	71	23.80	19	19	11	70	28	43	M10X35	25.00X3.53	1.25	414
1"	EMT-AFW 603N	NPT1"	25	57.17	81	27.78	21	20	13	85	34	51	M12X40	32.92X3.53	1.50	414
1 1/4"	EMT-AFW 604N	NPT1 1/4"	32	66.68	95	31.76	25	22	15	95	38	56	M14X45	37.70X3.53	1.80	414
1 1/2"	EMT-AFW605N	NPT1 1/2"	38	79.38	112	36.52	25	25	17	100	42	65	M16X45	47.22X3.53	2.80	414
2"	EMT-AFW 606N	NPT2"	51	96.82	134	44.46	29	28	21	150	60	92	M20X55	56.75X3.53	4.00	414

Other form or requirements needs to be expressed by ordering.

## SAE Weld On Flange EMT-AFS--T

**Material**

- \* C45 Carbon steel Yellow zinked EMT-AFS-TC45 A3C
- \* C20 Carbon steel Yellow zinked: EMT-AFS-T--C20 Blank Oiled
- \* A1S1 321/304 EMT-AFS-T--X
- \* A1S1 316 EMT-AFS-T--XX



**Ordering Information**

- \* Flange only: EMT-AFS301T-20X3, EMT-AFS301T-20X3-X
- \* Flange with bolts and O-ring: with the suffix M for metric bolts and the suffix (U for UNC bolts)
- \* EMT-AFS--T and EMT- GFS--T assembled: EMT- DFS301T-22X3T EMT- DFS301T-22x3-X

da x a is the Welding dimension (outer diameter x thickness) of the pipe, the groove is usually 30°

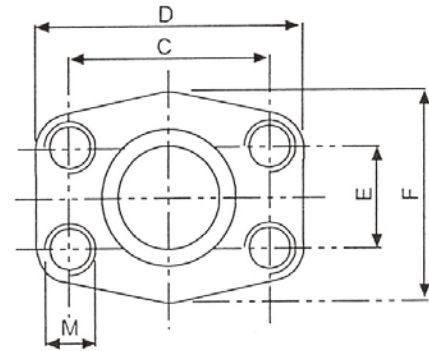
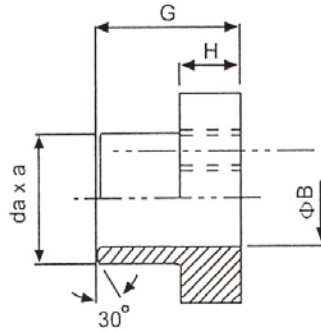
Inch	Ordering Example	Dimensions(mm)								Equipped with attachments		weight kg	working pressure kg / c m <sup>2</sup>
		da x s	C	D	E	F	G	H	K	boit	O-ring		
Light series 3000 P.S. I													
1/2"	EMT-AFS 301T	16X2.5 20X3 21.6X4.3	38.10	54	17.50	46	36	16	9	M8X30	18.66X3.53	0.28	345
3/4"	EMT-AFS 302T	25X3 26.9X3.6 28X4.5	47.63	65	22.26	50	36	18	11	M10X35	25.00X3.53	0.39	345
1"	EMT-AFS 303T	30X4 / 33.7X3.6 34X4.5 / 35X4	52.37	70	26.16	55	38	18	11	M10X35	32.92X3.53	0.46	345
1 1/4"	EMT-AFS 304T	38X4 42.4X3.6 42.8X5.5	8.72	79	30.18	68	41	21	11.5	M 1 OX40	37.70X3.53	0.66	276
1 1/2"	EMT-AFS 305T	42.4X4 48.3X4 48.6X5.5	69.85	93	35.72	78	45	25	13.5	M12X45	47.22X3.53	1.05	207
2"	EMT-AFS 306T	60.3X4 61X5.5	77.77	102	42.88	90	45	25	13.5	M12X45	56.75X3.53	1.09	207
2 1/2"	EMT-AFS 307T	76.1X4 77X7.1	88.90	114	50.80	105	50	25	13.5	M12X45	69.45X3.53	1.40	172
3"	EMT-AFS 308T	76.1X4 / 76.1X7.1 89X4 / 92X9	106.38	135	61.92	124	50	27	17	M16X50	85.32X3.53	2.15	138
3 1/2"	EMT-AFS 309T	89X4 103X7	120.65	152	69.85	136	48	27	17	M16X50	98.02X3.53	2.40	34
4"	EMT-AFS 310T	114.3X4 115.5X8	130.18	162	77.76	146	48	27	17	M16X50	110.72X3.53	2.85	34
Heavy series 6000 P.S. I													
1/2"	EMT-AFS 601T	16X2.5 / 20X3 21.6X4.3	40.49	54	18.24	46	36	16	9	M8X30	18.66X3.53	0.35	414
3/4"	EMT-AFS 602T	20X3 / 25X4 26.9X3.6 / 28X4.5	50.80	71	23.82	55	36	21	11	M10X35	25.00X3.53	0.65	414
1"	EMT-AFS 603T	25X4 / 30X5 33.7X7.1 / 34X4.5	57.17	81	27.78	65	42	25	13	M12X45	32.92X3.53	1.05	414
1 1/4"	EMT-AFS 604T	30X5/38X6 42.4X8.8/42.8X5.5	66.68	95	31.76	78	45	27	15	M14X50	37.70X3.53	1.53	414
1 1/2"	EMT-AFS 605T	48.3X8.8/48.6X5.5 60.3X10	79.38	112	36.52	94	50	30	17	M16X55	47.22X3.53	2.50	350
2"	EMT-AFS 606T	60.3X10/61X9 61X5.5/76.1X12.5	96.82	134	44.46	114	65	37	21	M20X70	56.75X3.53	4.20	350

Other form or requirements needs to be expressed by ordering.

**SAE Weld On Flange EMT-GFS--T**

**Material**

- \* C45 Carbon steel Yellow zinked EMT-GFS-TC45 A3C
- \* C20Carbon steel Yellow zinked: EMT-GFS-T--C20 Blank Oiled
- \* A1S1 321/304 EMT-GFS-T--X
- \* A1S1 316 EMT-GFS-T--XX



**Ordering Information**

- \* Flange only: EMT-GFS301T(20X3), EMT-GFS301T-X(20X3)
- \* EMT-AFS and EMT-GFS assembled:DFS301T(20X3)(16X2.5)

daXa is the Welding dimension (outer diameterXthickness)of the pipe,the groove is usually $30^\circ$

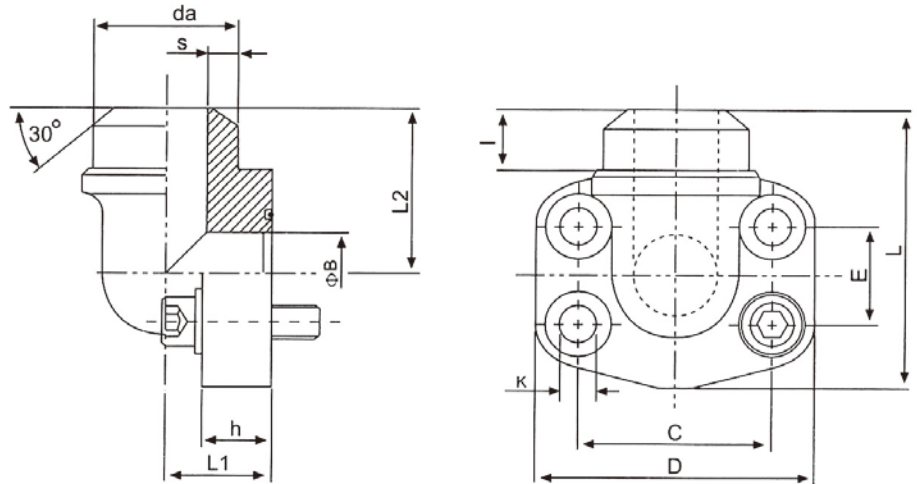
Inch	Ordering Example	Dimensions(mm)								wt Kg	MAX.W.P kg/c m <sup>2</sup>
		da x s	C	D	E	F	G	H	M		
Light series 3000 P.S. I											
1/2"	EMT-GFS 301T	16X2.5 20X3 21.6X4.3	38.10	54	17.50	46	36	16	M8	0.28	345
3/4"	EMT-GFS 302T	25X3 26.9X3.6 28X4.5	47.63	65	22.26	50	36	18	M10	0.39	345
1"	EMT-GFS 303T	30X4 / 33.7X3.6 34X4.5 / 35X4	52.37	70	26.16	55	38	18	M10	0.46	345
1 1/4"	EMT-GFS 304T	38X4 42.4X3.6 42.8X5.5	8.72	79	30.18	68	41	21	M10	0.66	276
1 1/2"	EMT-GFS 305T	42.4X4 48.3X4 48.6X5.5	69.85	93	35.72	78	45	25	M12	1.05	207
2"	EMT-GFS 306T	60.3X4 61X5.5	77.77	102	42.88	90	45	25	M12	1.09	207
2 1/2"	EMT-GFS 307T	76.1X4 77X7.1	88.90	114	50.80	105	50	25	M12	1.40	172
3"	EMT-GFS 308T	76.1X4 / 76.1X7.1 89X4 / 92X9	106.38	135	61.92	124	50	27	M16	2.15	138
3 1/2"	EMT-GFS 309T	89X4 103X7	120.65	152	69.85	136	48	27	M16	2.40	34
4"	EMT-GFS 310T	114.3X4 115.5X8	130.18	162	77.76	146	48	27	M16	2.85	34
Heavy series 3000 P.S. I											
1/2"	EMT-GFS 601T	16X2.5 / 20X3 21.6X4.3	40.49	54	18.24	46	36	16	M8	0.35	414
3/4"	EMT-GFS 602T	20X3 / 25X4 26.9X3.6 / 28X4.5	50.80	71	23.82	55	36	21	M10	0.65	414
1"	EMT-GFS603T	25X4 / 30X5 33.7X7.1 / 34X4.5	57.17	81	27.78	65	42	25	M12	1.05	414
1 1/4"	EMT-GFS604T	30X5/38X6 42.4X8.8/42.8X5.5	66.68	95	31.76	78	45	27	M14	1.53	414
1 1/2"	EMT-GFS605T	48.3X8.8/48.6X5.5 60.3X10	79.38	112	36.52	94	50	30	M16	2.50	350
2"	EMT-GFS 606T	60.3X10/61X9 61X5.5/76.1X12.5	96.82	134	44.46	114	65	37	M20	4.20	350

Other form or requirements needs to be expressed by ordering.

## SAE Elbow Weld on Flange EMT-GFS--T

**Material**

- \* C45 Carbon steel Yellow zinked EMT-AFW-TC45 A3C
- \* C20 Carbon steel Yellow zinked: EMT-AFW-T--C20 Blank Oiled
- \* A1S1 321/304 EMT-AFW-T--X
- \* A1S1 316 EMT-AFW-T--XX



**Ordering Information**

- \* Flange only: EMT-AFW301T(20X3), EMT-AFW301TM-X(20X3)
- \* Flange with bolts and O-ring: with the suffix M for metric bolts and the suffix(U for UNC bolts)

daXa is the Welding dimension (outer diameterXthickness)of the pipe,the groove is usually30 °

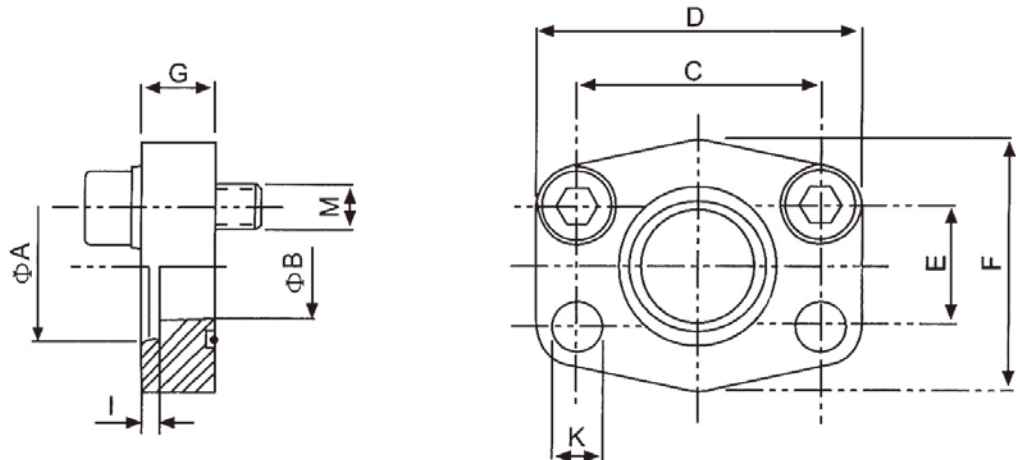
Inch	Ordering Example	Dimensions(mm)											Equipped with attachments		WT Kg	MAX.W.P kg / c.mf	
		da x s	B	C	D	E	h	I	K	L	L1	L2	bolt	O-ring			
Light series 3000 P.S. I																	
1/2"	EMT-AFW 301T	20X3 22X4	13	38.10	54	17.50	16	10	9	60	20	37	M8X30	18.66X3.53	0.40	345	
3/4"	EMT-AFW 302T	25X3 28X4	19	47.63	65	22.26	18	10	11	63	24	38	M10X35	25.00X3.53	0.60	345	
1"	EMT-AFW 303T	30X4 35X4	25	52.37	65	26.16	19	12	11	70	28	43	M10X35	32.92X3.53	0.80	345	
1 1/4"	EMT-AFW 304S	38X4 42.4X4	32	58.72	70	30.18	21	14	11.5	85	34	51	M10X40	37.70X3.53	1.20	276	
1 1/2"	EMT-AFW305T	42.4X4 48.3X4.5	38	69.85	79	35.72	25	16	13.5	95	38	55	M12X45	47.22X3.53	1.65	207	
2"	EMT-AFW306T	60.3X5.6	51	77.77	102	42.88	25	18	13.5	110	42	65	M12X45	56.75X3.53	2.00	207	
Heavy series 3000 P.S. I																	
1/2"	EMT-AFW601T	20X3 22X4	13	40.49	54	18.24	16	10	9	60	20	37	M8X30	18.66X3.53	0.50	414	
3/4"	EMT-AFW 602T	25X4 28X4.5	19	50.80	71	23.80	19	12	11	70	28	43	M10X35	25.00X3.53	1.25	414	
1"	EMT-AFW 603T	30X4 35X5	25	57.17	81	27.78	21	14	13	85	34	51	M12X40	32.92X3.53	1.50	414	
1 1/4"	EMT-AFW 604T	38X5 42.4X6	32	66.68	95	31.76	25	16	15	95	38	56	M14X45	37.70X3.53	1.80	414	
1 1/2"	EMT-AFW605T	48.3X8	38	79.38	112	36.52	25	18	17	100	42	65	M16X45	47.22X3.53	2.80	414	
2"	EMT-AFW 606T	60.3X10	51	96.82	134	44.46	29	18	21	150	60	92	M20X55	56.75X3.53	4.00	414	

Other form or requirements needs to be expressed by ordering.

**SAE Socket weld flange 500P.S.I EMT-AFC--S**

**Material**

- \* C45 Carbon steel Yellow zinked EMT-AFC-TC45 A3C
- \* C20 Carbon steel Yellow zinked: EMT-AFC-T--C20 Blank Oiled
- \* A1S1 321/304 EMT-AFC-T--X
- \* A1S1 316 EMT-AFC-T--XX



**Ordering Information**

- \* Flange only: EMT-AFS301S
- \* Flange with bolts and O-ring: with the suffix M for metric bolts and the suffix U for UNC bolts
- \* EMT-AFC-S and EMT-GFC-S assembled: EMT-DFC301S

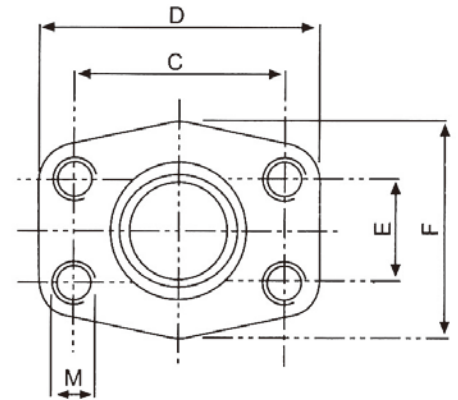
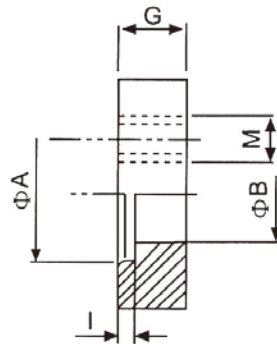
Inch	Ordering Example	Dimensions(mm)										Equipped with attachments		WT Kg	MAX.W.P kg / c m <sup>2</sup>
		Rohr	A	B	C	D	E	F	G	I	K	bolt	O-ring		
Light series 3000 P.S. I															
1/2"	EMT-AFC 301S	22x2	22.50	15	38.10	56	17.50	46	10	3	9	M8X25	18.66X3.53	0.12	40
3/4"	EMT-AFC 302S	28x2	28.50	20	47.63	65	22.26	50	12	4	11	M10X30	25.00X3.53	0.20	40
1"	EMT-AFC 303S	35x2	35.50	29	52.37	70	26.16	55	12	4	11	M10X30	32.92X3.53	0.25	40
1 1/4"	EMT-AFC 304S	42x2	42.50	34	58.72	79	30.18	68	12	4	11.5	M10X30	37.70X3.53	0.31	40
1 1/2"	EMT-AFC 305S	48.3x4	49.00	42	69.85	93	35.72	78	15	4	13.5	M12X35	47.22X3.53	0.50	40
2"	EMT-AFC 306S	60.3x4	61.00	53	77.77	102	42.88	90	15	4	13.5	M12X35	56.75X3.53	0.59	40
2 1/2"	EMT-AFC 307S	76.1x3.6	77.00	64	88.90	114	50.80	105	15	4	13.5	M12X35	69.45X3.53	0.72	40
3"	EMT-AFC 308S	88.9x4	90.00	80	106.38	134	61.92	124	20	5	17	M 16X40	85.32X3.53	1.25	40
3 1/2"	EMT-AFC 309S	101.6x4	103.00	93	120.65	152	69.84	136	20	5	17	M 16 X40	98.02X3.53	1.50	40
4"	EMT-AFC 310S	114.3x4	115.50	105	130.18	162	77.76	146	25	6	17	M 16X45	110.72X3.53	2.15	40
5"	EMT-AFC 311S	139.7x5	141.00	126	152.40	190	92.08	170	28	8	17	M16X45	136.12X3.53	3.00	40

Other form or requirements needs to be expressed by ordering.

**SAE Socket weld flange 500 P.S.I EMT-GFC-S**

**Material**

- \* C45 Carbon steel Yellow zinked EMT-GFC-TC45 A3C
- \* C20 Carbon steel Yellow zinked: EMT-GFC-T--C20 Blank Oiled
- \* A151 321/304 EMT-GFC-T--X
- \* A151 316 EMT-GFC-T--XX



**Ordering Information**

- \* Flange only: EMT-GFC301S
- \* EMT-AFC-S and EMT-GFC-S assembled: EMT-DFC301S

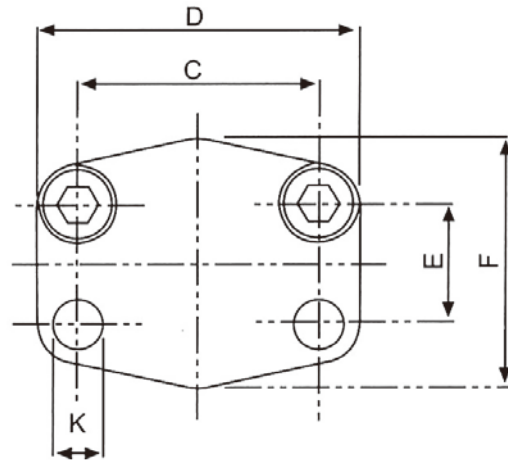
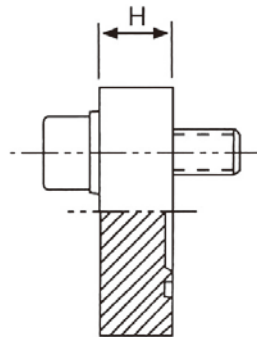
Inch	Ordering Example	Dimensions(mm)										WT Kg	MAX.W.P kg / c m <sup>2</sup>
		Rohr	A	B	C	D	E	F	G	I	M		
Light series 3000 P.S. I													
1/2"	EMT-GFC 301S	22x2	22.50	15	38.10	56	17.50	46	10	3	M8	0.12	40
3/4"	EMT-GFC 302S	28x2	28.50	20	47.63	65	22.26	50	12	4	M10	0.20	40
1"	EMT-GFC 303S	35x2	35.50	29	52.37	70	26.16	55	12	4	M10	0.25	40
1 1/4"	EMT-GFC 304S	42x2	42.50	34	58.72	79	30.18	68	12	4	M10	0.31	40
1 1/2"	EMT-GFC 305S	48.3x4	49.00	42	69.85	93	35.72	78	15	4	M12	0.50	40
2"	EMT-GFC 306S	60.3x4	61.00	53	77.77	102	42.88	90	15	4	M12	0.59	40
2 1/2"	EMT-GFC 307S	76.1x3.6	77.00	64	88.90	114	50.80	105	15	4	M12	0.72	40
3"	EMT-GFC 308S	88.9x4	90.00	80	106.38	134	61.92	124	20	5	M16	1.25	40
3 1/2"	EMT-GFC 309S	101.6x4.5	103.00	93	120.65	152	69.84	136	20	5	M16	1.50	40
4"	EMT-GFC 310S	114.3x4.5	115.50	105	130.18	162	77.76	146	25	6	M16	2.15	40
5"	EMT-GFC 311S	139.7x5	141.00	126	152.40	190	92.08	170	28	8	M16	3.00	40

Other form or requirements needs to be expressed by ordering.

**SAE Closed Flange EMT-AFC--**

**Material**

- \* C45 Carbon steel Yellow zinked EMT-AFC-TC45 A3C
- \* C20 Carbon steel Yellow zinked: EMT-AFC-T--C20 Blank Oiled
- \* A151 321/304 EMT-AFC-T--X
- \* A151 316 EMT-AFC-T--XX



**Ordering Information**

- \* Flange only: EMT-AFC301
- \* Flange with bolts and O-ring: with the suffix M for metric bolts and the suffix U for UNC bolts

Inch	Ordering Example	Dimensions(mm)						Equipped with attachments		WT Kg	MAX.W.P kg / c m <sup>2</sup>
		C	D	E	F	H	K	bolt	O-ring		
Light series 3000 P.S. I											
1/2"	EMT-AFC 301	38.10	54	17.50	46	16	9	M8X30	18.66X3.53	0.20	345
3/4"	EMT-AFC 302	47.63	65	22.26	50	16	11	M10X35	25.00X3.53	0.30	345
1"	EMT-AFC 303	52.37	65	26.16	55	19	11	M10X35	32.92X3.53	0.37	345
1 1/4"	EMT-AFC 304	58.72	70	30.18	68	19	11.5	M10X40	37.70X3.53	0.54	276
1 1/2"	EMT-AFC305	69.85	79	35.72	78	20	13.5	M12X45	47.22X3.53	0.90	207
2"	EMT-AFC306	77.77	102	42.88	90	20	13.5	M12X45	56.75X3.53	1.00	207
2 1/2"	EMT-AFC307	88.90	114	50.80	105	20	13.5	M12X45	69.45X3.53	1.35	172
3"	EMT-AFC308	106.38	134	61.92	124	24	17	M16X50	85.32X3.53	2.35	138
Heavy series 6000 P.S. I											
1/2"	EMT-AFC601	40.49	54	18.24	46	16	9	M8X30	18.66X3.53	0.20	414
3/4"	EMT-AFC602	50.80	71	23.80	55	19	11	M10X35	25.00X3.53	0.48	414
1"	EMT-AFC603	57.17	81	27.78	65	24	13	M12X40	32.92X3.53	0.77	414
1 1/4"	EMT-AFC604	66.68	95	31.76	78	27	15	M14X45	37.70X3.53	0.85	414
1 1/2"	EMT-AFC605	79.38	112	36.52	94	30	17	M16X45	47.22X3.53	1.80	414
2"	EMT-AFC606	96.82	134	44.46	114	28	21	M20X55	56.75X3,53	2.00	414

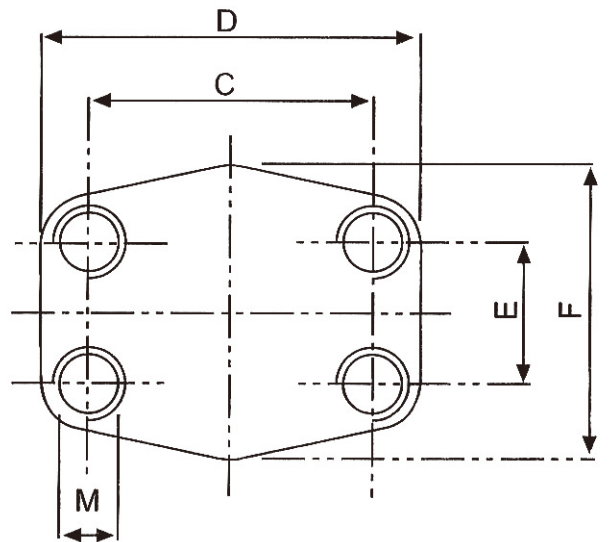
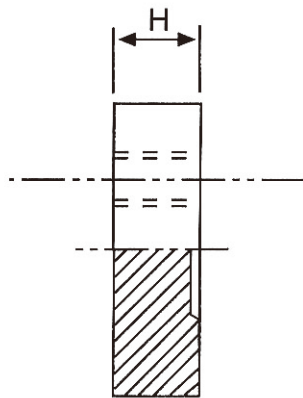
Other form or requirements needs to be expressed by ordering.



**SAE Closed Flange EMT-GFC**

**Material**

- \* C45 Carbon steel Yellow zinked EMT-GFC-TC45 A3C
- \* C20 Carbon steel Yellow zinked: EMT-GFC-T--C20 Blank Oiled
- \* A151 321/304 EMT-GFC-T--X
- \* A151 316 EMT-GFC-T--XX



**Ordering Information**

- \* Flange only: EMT-GFC301

Inch	Ordering Example	Dimensions(mm)						WT Kg	MAX.W.P kg / c m <sup>2</sup>
		C	D	E	F	H	M		
Light series 3000 P.S. I									
1/2"	EMT-GFC 301	38.10	54	17.50	46	16	M8	0.20	345
3/4"	EMT-GFC 302	47.63	65	22.26	50	16	M10	0.30	345
1"	EMT-GFC303	52.37	65	26.16	55	19	M10	0.37	345
1 1/4"	EMT-GFC 304	58.72	70	30.18	68	19	M10	0.54	276
1 1/2"	EMT-GFC305	69.85	79	35.72	78	20	M12	0.90	207
2"	EMT-GFC306	77.77	102	42.88	90	20	M12	1.00	207
2 1/2"	EMT-GFC307	88.90	114	50.80	105	20	M12	1.35	172
3"	EMT-GFC308	106.38	134	61.92	124	24	M16	2.35	138
Heavy series 6000 P.S. I									
1/2"	EMT-GFC601	40.49	54	18.24	46	16	M8	0.20	414
3/4"	EMT-GFC602	50.80	71	23.80	55	19	M10	0.48	414
1"	EMT-GFC603	57.17	81	27.78	65	24	M12	0.77	414
1 1/4"	EMT-GFC604	66.68	95	31.76	78	27	M14	0.85	414
1 1/2"	EMT-GFC605	79.38	112	36.52	94	30	M16	1.80	414
2"	EMT-GFC606	96.82	134	44.46	114	28	M20	2.00	414

Other form or requirements needs to be expressed by ordering.

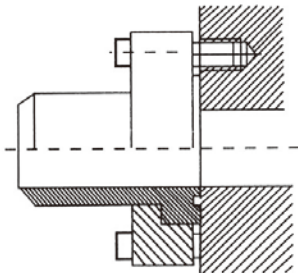
## ISO 6164 Square Flange

### Material specification

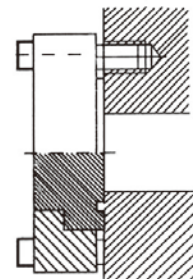
Material used for flange welding couplings is indicated with suffix as follow:

1. Flange and welding adapter all carbon steel: without suffix.
2. Carbon steel flange and stainless steel AISI304/321 welding adapter: with the suffix -STIX  
Carbon steel flange and stainless steel AISI316L welding adapter: with the suffix -ST/XX
3. Flange and welding adapter are all stainless steel:  
AISI304/321 with the suffix -X, AISI316L with the suffix -XX

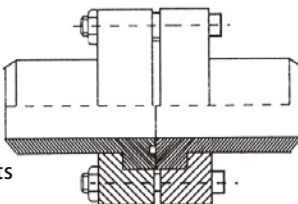
EMT-FA-  
a Square flange an  
O-groove welding  
pipe ,an O-ring  
and a couple of  
boits



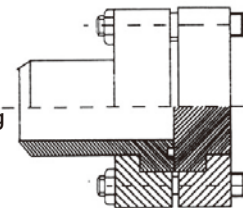
EMT-FAG-  
A Square flange ,  
an O-groove blank  
cap ,an O-ring and  
a couple of boits



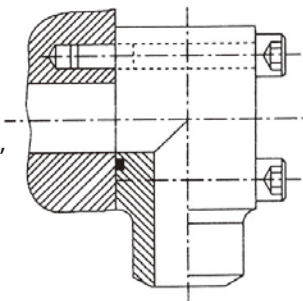
EMT-FK-  
Two Square flange ,a  
Couple of paired  
welding pipe an  
O-ring,a couple of bolts



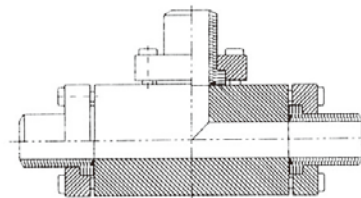
EMT-FKG-  
Two Square flange ,  
an O-groove welding  
pipe, a shing blank cap,an O-ring



EMT-WFA-  
A 90° elbow flange,  
an O ring ,a C couple  
of bolts



EMT-FV-  
Tee flange,  
Customize for full  
set:a dast  
EMT-FA-3set



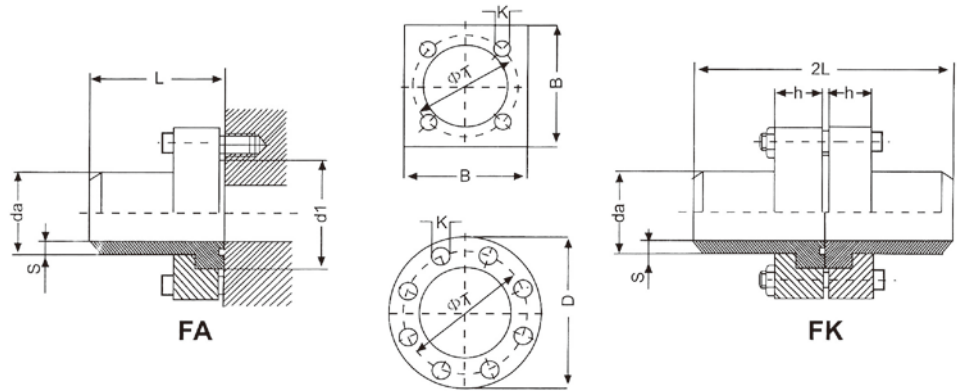
### Special tips:

In order to and apply normal,don't make our series flange mixed model assembly with other company's

## ISO 6164 Square Flange(PN160/Series 0)

### Material

- \* C45 Carbon steel Yellow zinked EMT-FA/FK-TC45 A3C
- \* C20 Carbon steel Yellow zinked: EMT-FA/FK-T--C20 Blank Oiled
- \* A1S1 321/304 EMT-FA/FK-T--X
- \* A1S1 316 EMT-FA/FK-T--XX



### Example

- \* Carbon copper: EMT-FA 50-0, EMT-FK 50-0, EMT-FAG 50-0, EMT-FKG 50-0
- \* Carbon steel flanges, stainless steel pipe(AISI 321/304) : EMT-FA 50-0-ST/X, EMT-FKG 50-0-ST/X
- \* Stainless stainless steel(A1S1 321/304) : EMT-FA50-0-X, EMT-FAG 50-0-X

daXa is the Welding dimension (outer diameterXthickness)of the pipe,the groove is usually30 °

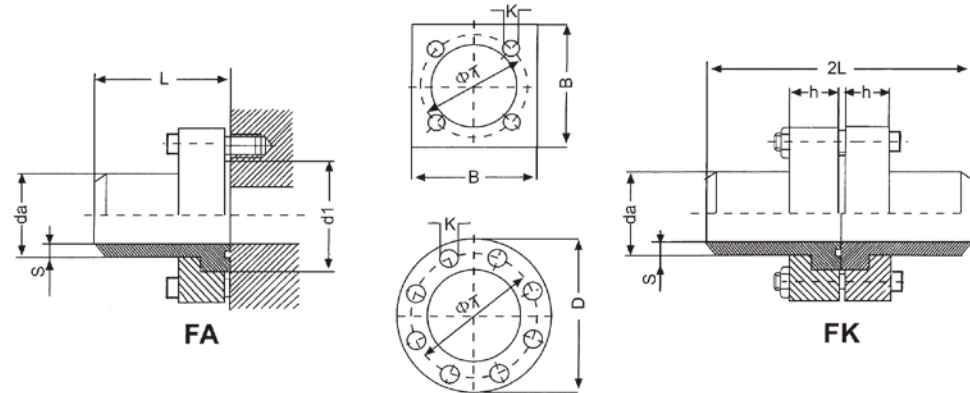
Ordering Example	Dimensions(mm)								Equipped with attachments		WT Kg
	da x s	B	D	h	T	d1	K	L	bolt	O-ring	
EMT-FA 32-0 EMT-FK	42.4x3	80	--	24	72	55	13	64	M12X40 M12x65	37.70x3.53	1. 4 2. 65
EMT-FA 40-0 EMT-FK	48.3x3	90	--	29	80	60	17	68	M16x55 M16x80	42.50x3.53	2. 0 4. 00
EMT-FA 50-0 EMT-FK	60.3x4.5	100	--	38	98	76	17	80	M16x60 M16x100	58.00x3.53	3. 1 6. 00
EMT-FA 65-0 EMT-FK	76.1x3.6	720	--	48	118	92	21	98	M20x75 M20x120	75.00x5.33	5. 50 10. 60
EMT-FA 90-0 EMT-FK	88.9x4	150	--	48	145	110	25	709	M24X80 M24x130	88.60x5.7	9. 50 18
EMT-FA 90-0 EMT-FK	101.6x7.1	180	--	58	175	135	32	135	M30x90 M30x150	88.60x5.7	17 33
EMT-FA 100-0 EMT-FK	114.3x3.6 114.3x7.1	180	--	58	175	135	32	135	M30x90 M30x150	108.60x5.7	17 33
EMT-FA 125-0 EMT-FK	139.7x8 139.7x10	--	245	68	200	168	25	150	M24x100 M24x170	128.60x5.7	29 57
EMT-FA 150-0 EMT-FK	168.3x6 168.3x10	--	300	79	245	205	32	190	M30X110 M30x200	170.00x7 160.00x7	48. 5 95. 50

Other form or requirements needs to be expressed by ordering.

## ISO 6164 Square Flange(PN160/Series 2)

### Material

- \* C45 Carbon steel Yellow zinked EMT-FA/FK-TC45 A3C
- \* C20 Carbon steel Yellow zinked: EMT-FA/FK-T--C20 Blank Oiled
- \* A1S1 321/304 EMT-FA/FK-T--X
- \* A1S1 316 EMT-FA/FK-T--XX



daXa is the Welding dimension (outer diameterXthickness)of the pipe,the groove is usually30°

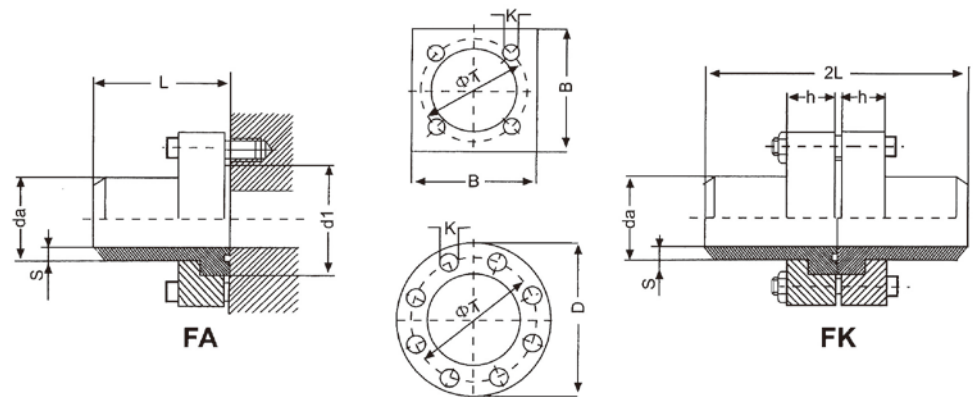
Ordering Example	Dimensions(mm)								Equipped with attachments		weight kg
	da x s	B	D	h	T	d1	K	L	boit	O-ring	
EMT-FA 12-2 EMT-FK	16x2	50	--	19	44	28	11	43	M10X35 M10x55	16.00x2.65	0. 43 0. 83
EMT-FA 16-2 EMT-FK	20x2.5	60	--	19	54	38	11	50	M10x35 M10x55	25.00x2.65	0. 62 1. 2
EMT-FA 20-2 EMT-FK	25x3	60	--	19	54	38	11	50	M10x35 M10x55	25.00x2.65	0. 62 1. 2
EMT-FA 25-2 EMT-FK	30x4	70	--	19	64	46	13	56	M12x35 M12x55	30.00x2.65	0. 90 1. 75
EMT-FA 32-2 EMT-FK	38x5	80	--	24	72	55	13	64	M12X40 M12x65	37.70x3.53	1. 4 2. 65
EMT-FA 40-2 EMT-FK	48.3x4 48.3x6	90	--	29	80	60	17	68	M16x55 M16x80	42.50x3.53	2. 0 4. 00
EMT-FA 50-2 EMT-FK	60.3x5 60.3x6.3	100	--	38	98	76	17	80	M20x75 M20x120	58.00x3.53	3. 1 6. 00
EMT-FA 65-2 EMT-FK	76.1x6.3 76.1x7.1	120	--	48	118	92	21	98	M24X80 M24x130	75.00x5.33	5. 50 10. 60
EMT-FA 80-2 EMT-FK	101.6X8.8 101.6X10	180	--	58	175	135	32	135	M30x90 M30x150	88.60x5.7	17 33
EMT-FA 100-2 EMT-FK	114.3x3.6 114.3x12.5	180	--	58	175	135	32	135	M30x90 M30x150	108.60x5.7	17 33
EMT-FA 125-2 EMT-FK	152.4x12.5 152.4x16	--	245	68	200	168	25	150	M24x100 M24x170	128.60x5.7	29 57
EMT-FA 150-2 EMT-FK	177.8x17.5	--	300	79	245	205	32	190	M30X110 M30x200	160.00x7	48. 5 95. 50

Other form or requirements needs to be expressed by ordering.

## ISO 6164 Square Flange(PN250/Series 3)

**Material**

- \* C45 Carbon steel Yellow zinked EMT-FA/FK-TC45 A3C
- \* C20Carbon steel Yellow zinked: EMT-FA/FK-T--C20 Blank Oiled
- \* A1S1 321/304 EMT-FA/FK-T--X
- \* A1S1 316 EMT-FA/FK-T--XX



daXs is the Welding dimension (outer diameterXthickness)of the pipe,the groove is usually30 °

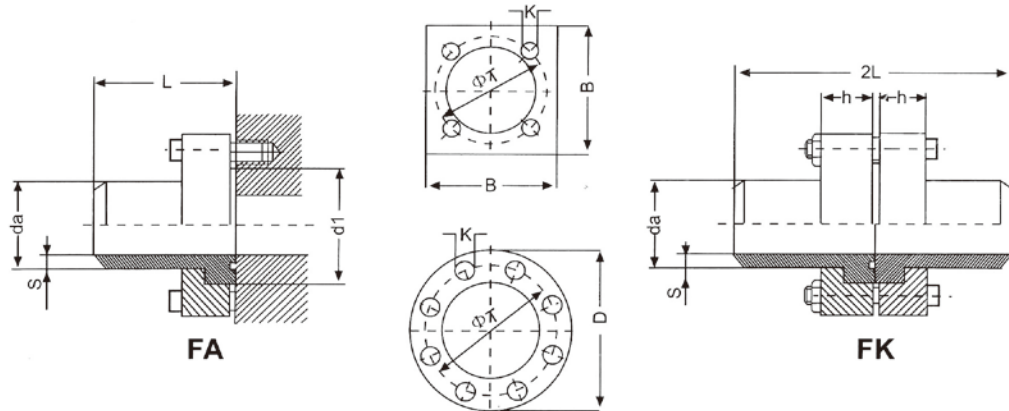
type	Dimensions(mm)								Equipped with attachments		weight kg
	da x s	B	D	h	T	d1	K	L	boit	O-ring	
EMT-FA 10-3 EMT-FK	16x3	50	--	19	44	28	11	43	M10X35 M10x55	16.00x2.65	0. 43 0. 83
EMT-FA 12-3 EMT-FK	20x3	60	--	19	54	38	11	50	M10x35 M10x55	25.00x2.65	0. 62 1. 2
EMT-FA 16-3 EMT-FK	21.3x2.6 21.3x3.6	60	--	19	54	38	11	50	M10x35 M10x55	25.00x2.65	0. 62 1. 2
EMT-FA 20-3 EMT-FK	26.9x3.6	70	--	19	64	46	13	56	M12x35 M12x55	30.00x2.65	0. 90 1. 75
EMT-FA 25-3 EMT-FK	33.7x4.5	80	--	24	72	55	13	64	M12X40 M12x65	37.70x3.53	1. 4 2. 65
EMT-FA 32-3 EMT-FK	42.4x5.5	90	--	29	80	60	17	68	M16x55 M16x80	37.70x3.53	2. 0 4. 00
EMT-FA 40-3 EMT-FK	60.3x8	100	--	38	98	76	17	80	M20x75 M20x120	53.30x5.33	3. 1 6. 00
EMT-FA 50-3 EMT-FK	76.1x10	120	--	48	118	92	21	98	M24X80 M24x130	61.50x5.33	5. 50 10. 60
EMT-FA 65-3 EMT-FK	88.9x11	150	--	48	145	110	25	135	M30x90 M30x150	78.60x5.7	17 33
EMT-FA 80-3 EMT-FK	101.6x12.5 101.6x14.2	180	--	59	175	135	32	135	M30x90 M30x150	88.60x5.7	17 33
EMT-FA 100-3 EMT-FK	139.7x17.5 139.7x20	--	245	69	200	168	25	150	M24x100 M24x170	113.60x5.7	29 57
EMT-FA 125-3 EMT-FK	168.3x20 168.3x22	--	300	79	245	205	32	190	M30X110 M30x200	145.00x7	48. 5 95. 50
EMT-FA 150-3 EMT-FK	193.7X25	--	355	88	290	245	38	200	M36X130 M36x220	145.00x7	58 112.0

Other form or requirements needs to be expressed by ordering.

## ISO 6164-1 Square Flange(PN320/Series 4)

### Material

- \* C45 Carbon steel Yellow zinked EMT-FA/FK-TC45 A3C
- \* C20 Carbon steel Yellow zinked: EMT-FA/FK-T--C20 Blank Oiled
- \* A1S1 321/304 EMT-FA/FK-T--X
- \* A1S1 316 EMT-FA/FK-T--XX



daXa is the Welding dimension (outer diameterXthickness)of the pipe,the groove is usually30 °

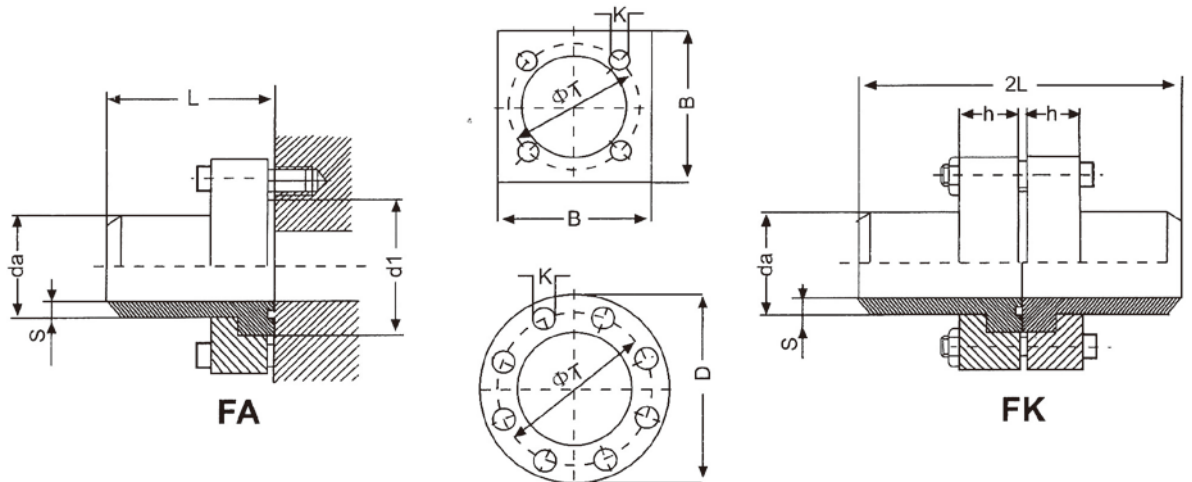
Ordering Example	Dimensions(mm)								Equipped with attachments		weight kg
	da x s	B	D	h	T	d1	K	L	boit	O-ring	
EMT-FA <sub>10-4</sub> EMT-FK	17. 2x3. 6	50	--	19	44	28	11	43	M10X35 M10x55	16.00x2.65	0. 43 0. 83
EMT-FA <sub>12-4</sub> EMT-FK	20x4 21. 3x3. 6	60	--	19	54	38	11	50	M10x35 M10x55	25.00x2.65	0. 62 1. 2
EMT-FA <sub>16-4</sub> EMT-FK	26. 9x4. 5	60	--	19	54	38	11	50	M10x35 M10x55	25.00x2.65	0. 62 1. 2
EMT-FA <sub>20-4</sub> EMT-FK	33. 7x5. 6	70	--	19	64	46	13	56	M12x35 M12x55	30.00x2.65	0. 90 1. 75
EMT-FA <sub>25-4</sub> EMT-FK	42. 4x7. 1	80	--	24	72	55	13	64	M12X40 M12x65	37.70x3.53	1. 4 2. 65
EMT-FA <sub>32-4</sub> EMT-FK	48. 3x8	90	--	29	80	60	17	68	M16x55 M16x80	42.50x3.53	2. 10 4. 00
EMT-FA <sub>40-4</sub> EMT-FK	60. 3x10	100	--	38	98	76	17	80	M16x60 M16x100	53.30x5.33	3. 1 6. 00
EMT-FA <sub>50-4</sub> EMT-FK	76. 1x12. 5	120	--	48	118	92	21	98	M20x75 M20x120	61.50x5.33	5. 50 10. 60
EMT-FA <sub>65-4</sub> EMT-FK	88. 9x14. 2	150	--	48	145	110	25	109	M24X80 M24x130	78.60x5.7	9.50 18
EMT-FA <sub>70-4</sub> EMT-FK	101. 6x16	180	--	59	175	135	32	135	M30x90 M30x150	88.60x5.7	17 33
EMT-FA <sub>80-4</sub> EMT-FK	114. 3x17. 5 114. 3X20	180	--	59	175	135	32	135	M30x90 M30x150	88.60x5.7	17 33
EMT-FA <sub>100-4</sub> EMT-FK	139. 7x22. 2 152. 4x28	--	245	69	200	168	25	150	M24x100 M24x170	113.60x5.7	29 57
EMT-FA <sub>125-4</sub> EMT-FK	177. 8x30	--	300	79	245	205	32	190	M30X110 M30x200	145.00x7	48. 5 95. 50
EMT-FA <sub>150-4</sub> EMT-FK	793. 7X30 219. 1X38	--	355	88	290	245	38	200	M36X130 M36x220	145.00x7	58 112.0

Other form or requirements needs to be expressed by ordering.

**ISO 6164 Square Flange(PN400/Series 5)**

**Material**

- \* C45 Carbon steel Yellow zinked EMT-FA/FK-TC45 A3C
- \* C20 Carbon steel Yellow zinked: EMT-FA/FK-T--C20 Blank Oiled
- \* A1S1 321/304 EMT-FA/FK-T--X
- \* A1S1 316 EMT-FA/FK-T--XX



daXa is the Welding dimension (outer diameterXthickness)of the pipe,the groove is usually30 °

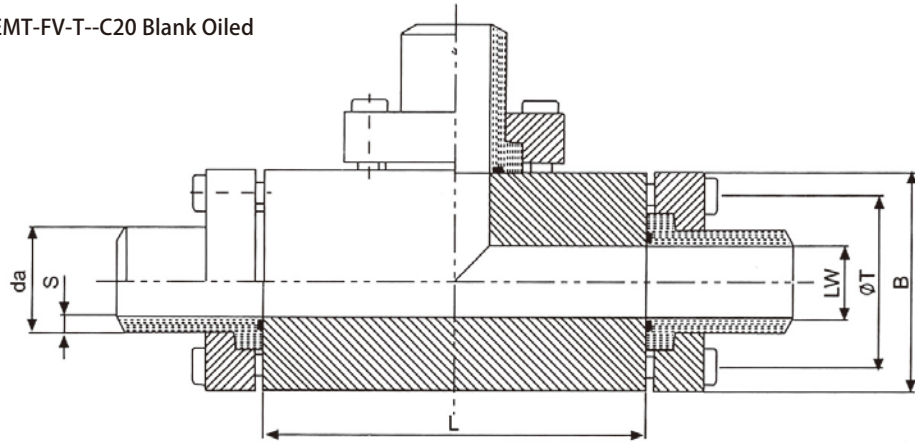
Ordering Example	Dimensions(mm)								Equipped with attachments		weight kg
	da x s	B	D	h	T	d1	K	L	boit	O-ring	
EMT-FA 32—5 EMT-FK	48.3x8.8	100	--	38	98	76	17	80	M16x60 M16x100	53. 30x5. 33	3. 1 6. 00
EMT-FA 40—5 EMT-FK	60.3x11	120	--	48	118	92	21	98	M20x75 M20x120	61. 50x5. 33	5. 50 10. 60
EMT-FA 50—5 EMT-FK	76.1x14.2	150	--	48	145	110	25	109	M24X80 M24x130	78. 60x5. 7	9. 50 18
EMT-FA 65—5 EMT-FK	101.6x20	180	--	59	175	135	32	135	M30x90 M30x150	88. 60x5. 7	17 33
EMT-FA 80—5 EMT-FK	133X25	--	245	69	200	168	25	150	M24x100 M24x170	113. 60x5. 7	29 57
EMT-FA 100—5 EMT-FK	152.4x30		300	79	245	205	32	190	M30X110 M30x200	145. 00x7	48. 5 59. 50
EMT-FA 125—5 EMT-FK	219.1x45	--	390	88	315	273	38	200	M36x130 M36x220	145. 00x7	68 128

Other form or requirements needs to be expressed by ordering.

## ISO 6164 Square flange T-block EMT-FV--

### Material

- \* C45 Carbon steel Yellow zinked EMT-FV-TC45 A3C
- \* C20 Carbon steel Yellow zinked: EMT-FV-T--C20 Blank Oiled
- \* A1S1 321/304 EMT-FV-T--X
- \* A1S1 316 EMT-FV-T--XX



### Ordering Information

\* EMT-FV三通产品成套订购，法兰、焊管、螺栓及O形圈配齐。

daXa is the Welding dimension (outer diameterXthickness)of the pipe,the groove is usually30 °

Ordering Example	Dimensions(mm)				weight kg
	da x s	B	ØT	L	
EMT-FV 10-3 EMT-FV 10-4	16X2.6 17.2X3.6	50	44	97	1.6
EMT-FV 12-3 EMT-FV 12-4	20X2.9 20X4	60	54	106	2.6
EMT-FV 16-3 EMT-FV 16-4	21.3X2.6 26.9X4.5	60	54	106	2.6
EMT-FV 20-3 EMT-FV 20-4	26.9X3.6 33.7X5.6	70	64	115	3.9
EMT-FV 25-3 EMT-FV 25-4	33.7X4.5 42.4X7.1	80	72	123	5.4
EMT-FV 32-3 EMT-FV 32-4	42.4X5.6 48.3X8	90	80	140	7.3
EMT-FV 40-3 EMT-FV 40-4	60.3X8 60.3X10	100	98	160	10
EMT-FV 50-3 EMT-FV 50-4	76.X10 76.1X12.5	120	118	180	16
EMT-FV 65-3 EMT-FV 65-4	88.9X11 88.9X14.. 2	150	145	200	27
EMT-FV 80-3 EMT-FV 80-4	101.6X14.2 114.3X17.5	180	175	260	49

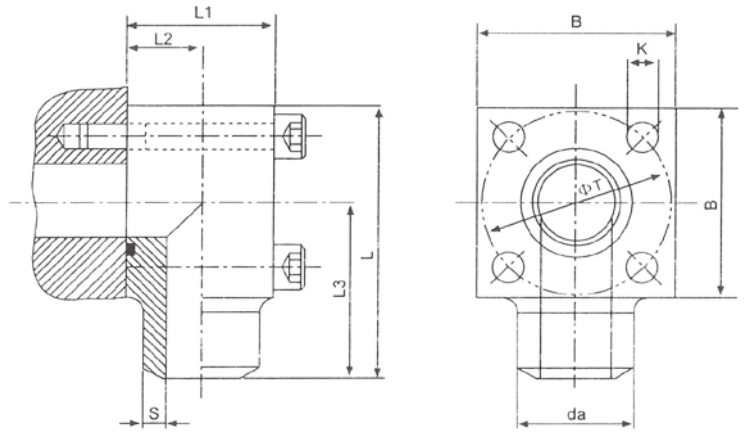
Other form or requirements needs to be expressed by ordering.



**ISO 6164 90° Square flange EMT-WFA--**

**Material**

- \* C45 Carbon steel Yellow zinked EMT-WFA-TC45 A3C
- \* C20 Carbon steel Yellow zinked: EMT-WFA-T--C20 Blank Oiled
- \* A1S1 321/304 EMT-WFA-T--X
- \* A1S1 316 EMT-WFA-T--XX



**Ordering Information**

- \* EMT-WFA parts supplied with bolts and O-rings

daXa is the Welding dimension (outer diameterXthickness)of the pipe,the groove is usually30°

Ordering Example	Dimensions(mm)								Equipped with attachments	
	da x s	L1	L2	L3	L	B	T	K	boit	O-ring
EMT-WFA <sup>-3</sup> / <sub>10</sub> <sup>-4</sup>	16X3 17.2X4	29	16.5	55	80	50	44	11	M10X45	16.00X2.65
EMT-WFA <sup>-3</sup> / <sub>12</sub> <sup>-4</sup>	20X3 20X4	32	18.0	65	95	60	54	11	M10X50	25.00X2.65
EMT-WFA <sup>-3</sup> / <sub>16</sub> <sup>-4</sup>	21.3X3 26.9X4.5	41	23	65	95	60	54	11	M10X60	25.00X2.65
EMT-WFA <sup>-3</sup> / <sub>20</sub> <sup>-4</sup>	26.9X4 33.7X5.6	47	26	75	110	70	64	13	M12X65	32.92X3.53
EMT-WFA <sup>-3</sup> / <sub>25</sub> <sup>-4</sup>	33.7X4.5 42.4X7.1	56	30	90	130	80	72	13	M12X75	37.70X3.53
EMT-WFA <sup>-3</sup> / <sub>32</sub> <sup>-4</sup>	42.4X5.6 48.3X8	64	34	92	140	90	80	17	M16X85	42.50X3.53
EMT-WFA <sup>-3</sup> / <sub>40</sub> <sup>-4</sup>	60.3X8 60.3X10	76	40	105	155	100	98	17	M16X100	53.30X5.33
EMT-WFA <sup>-3</sup> / <sub>50</sub> <sup>-4</sup>	76.1X10 76.1X12.5	100	53	115	175	120	118	21	M20X130	61.50X5.33
EMT-WFA <sup>-3</sup> / <sub>65</sub> <sup>-4</sup>	88.9X11 88.9X14.2	115	58	155	230	150	145	21	M20X140	78.60X5.7
EMT-WFA <sup>-3</sup> / <sub>80</sub> <sup>-4</sup>	101.6X12.5 114.3X17.5	140	72	150	270	180	175	32	M30X175	88.60X5.7

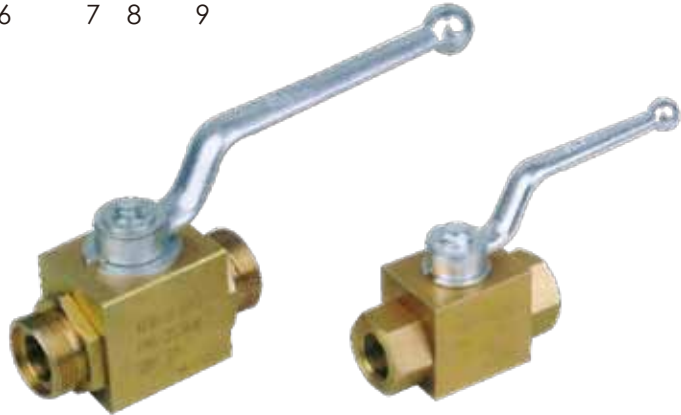
Other form or requirements needs to be expressed by ordering.

EMT-KHB[BKH]、 EMT-KHM[MKH]系列高压球阀 EMT-KHB[BKH]、 EMT-KHM[MKH]Series High Pressure Ball Valve

▲ Model Code

EMT-KHB -- M27x1.5 -- 1112 -- 01x -- \*  
 1                      2                      3 4 5 6                      7 8                      9

- \* Series Code:EMT-KHB(BKH)Series,EMT-KHM(MKH)series
- \* Joint Code: M\*\* G\*\* \*\*LR \*\*SR PT\*\* NPT\*\*
- \* Valve Body Material:1-steel,2-stainless steel
- \* Ball Body Material:1-steel,2-Brass,3-stainless steel
- \* Operating Temperature: 1. - 25~+100 °C ,2. - 30~+170 °C
- \* Other Airproof: 2-NBR,4-FPM
- \* Handle Type:01-Aluminium straight handle,02-Aluminium crooked handle 03-casting zinc straight handle, 04-casting zinc crooked handle,05-steel straight handle.06-steel crooked handle,09-without handle
- \* Design Number:To be decided by the manufacturer
- \* Surface Disposak:Blank-phosphoric polish,G-electroplated yellow zinc

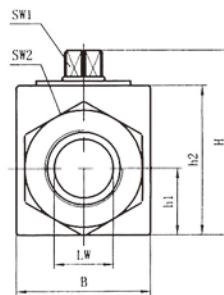
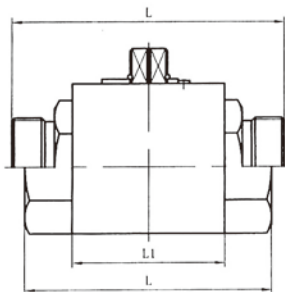


▲ Symbol

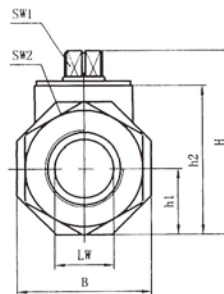
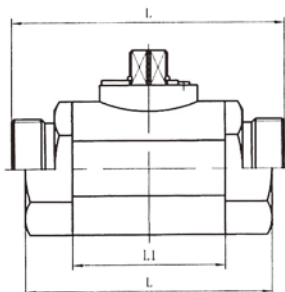


▲ Overall Dimension

EMT-KHB(BKH)型



EMT-KHB(BKH)型



Other form or requirements needs to be expressed by ordering.

▲ Model Code

Port Chart	Model	PN (bar)	DN	LW	RA	d1	i	L	L1	B	H	h1	h2	SW1	SW2
	EMT-KHB-M16x1.5	500	06	06	11	M16x1.5	11	69	40	26	45	13.5	33	09	22
	EMT-KHB-M22x1.5	500	08	08	16	M22x1.5	12	76	42	32	49	16	36	09	27
	EMT-KHB-M27x1.5	500	10	10	20	M27x1.5	12	76	42	32	49	16	36	09	27
	EMT-KHB-M30x1.5	400	16	15	24	M30x1.5	13	84	48	38	61	19	45	09	32
	EMT-KHB-M36x2	315	20	20	30	M36x2	15	103	60	48	70	25	55	12	41
	EMT-KHB-M42x2	315	25	23	35	M42x2	18	116	65	57	79	28.5	64	12	50
	EMT-KHB-M52x2	315	32	32	40	M52x2	20	149	84	75	101	37.5	84	14	60
	EMT-KHB-G1/8	500	04	06	/	G1/8	10	69	40	26	45	13.5	33	09	22
	EMT-KHB-G1/4	500	06	06	/	G1/4	14	69	40	26	45	13.5	33	09	22
	EMT-KHB-G3/8	500	10	10	/	G3/8	14	72	42	32	49	16	36	09	27
	EMT-KHB-G1/2	500	13	12	/	G1/2	16	83	48	35	49	17	40	09	30
	EMT-KHB-G1/2	400	16	15	/	G1/2	16	83	48	38	61	19	45	09	32
	EMT-KHB-G3/4	315	20	20	/	G3/4	18	95	60	48	70	25	55	12	41
	EMT-KHB-G1	315	25	25	/	G1	21	113	65	57	79	28.5	64	12	50
	EMT-KHB-G1.1/4	315	32	32	/	G1.1/4	22	110	84	75	101	37.5	84	14	60
	EMT-KHB-G1.1/2	315	40	38	/	G1.1/2	24	130	91	85	112	42.5	95	14	70
	EMT-KHB-NPT1/8	500	04	06	/	NPT1/8	10	69	40	26	45	13.5	33	09	22
	EMT-KHB-NPT1/4	500	06	06	/	NPT1/4	14	69	40	26	45	13.5	33	09	22
	EMT-KHB-NPT3/8	500	10	10	/	NPT3/8	14	72	42	32	49	16	36	09	27
	EMT-KHB-NPT1/2	500	13	12	/	NPT1/2	16	83	48	35	49	17	40	09	30
	EMT-KHB-NPT1/2	400	16	15	/	NPT1/2	16	83	48	38	61	19	45	09	32
	EMT-KHB-NPT3/4	315	20	20	/	NPT3/4	18	95	60	48	70	25	55	12	41
	EMT-KHB-NPT1	315	25	25	/	NPT1	21	113	65	57	79	28.5	64	12	50
	EMT-KHB-NPT1.1/4	315	32	32	/	NPT1.1/4	22	110	84	75	101	37.5	84	14	60
	EMT-KHB-NPT1.1/2	315	40	38	/	NPT1.1/2	24	130	91	85	112	42.5	95	14	70
	EMT-KHB-06LR	500	04	04	06	M12x1.5	10	67	40	26	45	13.5	33	09	22
	EMT-KHB-08LR	500	06	06	08	M14x1.5	10	67	40	26	45	13.5	33	09	22
	EMT-KHB-10LR	500	08	08	10	M16x1.5	11	74	42	32	49	16	36	09	27
	EMT-KHB-12LR	500	10	10	12	M18x1.5	11	74	42	32	49	16	36	09	27
	EMT-KHB-15LR	500	13	12	15	M22x1.5	12	82	48	35	53	17	40	09	30
	EMT-KHB-15LR	500	12	12	15	M22x1.5	12	82	48	38	61	19	45	09	32
	EMT-KHB-18LR	500	13	12	18	M26x1.5	12	82	48	35	53	17	40	09	30
	EMT-KHB-18LR	400	16	15	18	M26x1.5	12	82	48	38	61	19	45	09	32
	EMT-KHB-22LR	315	20	19	22	M30x2	14	101	60	48	70	25	55	12	41
	EMT-KHB-28LR	315	25	24	28	M36x2	14	108	65	57	79	28.5	64	12	50
	EMT-KHB-35LR	315	32	30	35	M45x2	16	141	84	75	101	37.5	84	14	60
EMT-KHB-42LR	315	40	36	42	M52x2	16	162	91	85	112	42.5	95	14	70	
	EMT-KHB-08SR	500	04	05	08	M16x1.5	12	73	40	26	45	13.5	33	09	22
	EMT-KHB-10SR	500	06	06	10	M18x1.5	12	73	40	26	45	13.5	33	09	22
	EMT-KHB-12SR	500	08	08	12	M20x1.5	12	76	42	32	49	16	36	09	27
	EMT-KHB-14SR	500	10	10	14	M22x1.5	14	80	42	32	49	16	36	09	27
	EMT-KHB-16SR	500	13	12	16	M24x1.5	14	86	48	35	53	17	40	09	30
	EMT-KHB-16SR	500	12	12	16	M24x 1.5	14	86	48	38	61	19	45	09	32
	EMT-KHB-20SR	500	13	12	20	M30x2	16	90	48	35	53	17	40	09	30
	EMT-KHB-20SR	400	16	15	20	M30x2	16	90	48	38	61	19	45	09	32
	EMT-KHB-25SR	315	20	20	25	M36~2	18	109	60	48	70	25	55	12	41
	EMT-KHB-30SR	315	25	25	30	M42x2	20	120	65	57	79	28.5	64	12	50
	EMT-KHB-38SR	315	32	30	38	M52x2	22	153	84	75	101	37.5	84	14	60

Other form or requirements needs to be expressed by ordering.

**EMT-KHB3K(BK3) Two-position Three-way High Pressure Ball Valve**

**▲ Model Code**

**EMT-KHB3K -- G1/2 -- 1112 -- 01x -- \***

1
2
3 4 5 6
7 8
9

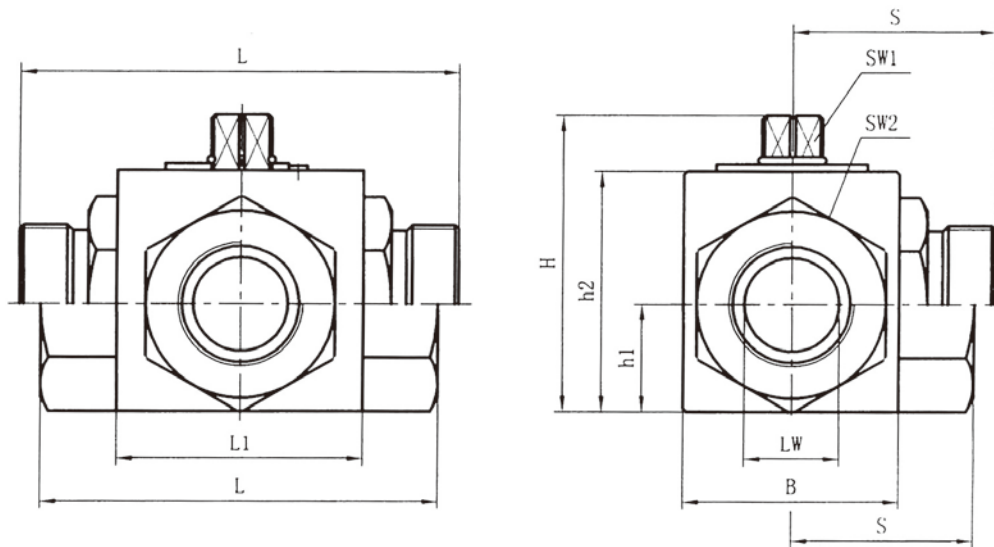
- \* Series Code:EMT-KHB(BK3) Series Two-position three-way ball valve
- \* Joint Code: G\*\*, \*\*LR, \*\*SR, PT\*\*, NPT\*\*
- \* Valve Body Material:1-steel,2-stainless steel
- \* Ball Body Material: 1-steel, 2-Brass,3-stainless steel ,
- \* Operating Temperature: 1. - 25~+100°C ,2. - 30~+170°C
- \* Other Airproof: 2-NBR,4-FPM
- \* Handle Type: 01-Aluminium straight handle,02-Aluminium crooked handle 03-casting zinc straight handle, 04-Casting zinc crooked handle,05-steel straight handle,06-steel crooked handle,09-without handle
- \* Design Number: To be decided by the manufacturer
- \* Surface Disposal: Blank-phosphoric polish,G- electroplated yellow zinc



**▲ Symbol**



**▲ Overall Dimension**



Other form or requirements needs to be expressed by ordering.

▲ Model Code

Port Chart	Model	PN (bar)	DN	LW	RA	d1	i	L	L1	B	H	h1	h2	SW1	SW2	S
	EMT-KHB3-M16x1.5	500	06	06	11	M16x1.5	11	69	40	26	45	13.5	33	09	22	27.5
	EMT-KHB3-M22x1.5	500	08	08	16	M22x1.5	12	76	42	32	49	16	36	09	27	33
	EMT-KHB3-M27x1.5	500	10	10	20	M27x1.5	12	76	42	32	49	16	36	09	27	33
	EMT-KHB3-M30x1.5	400	16	15	24	M30x1.5	13	84	48	38	61	19	45	09	32	37
	EMT-KHB3-M36x2	315	20	20	30	M36x2	15	103	60	48	70	25	55	12	41	45.5
	EMT-KHB3-M42x2	315	25	23	35	M42x2	18	116	65	57	79	28.5	64	12	50	54
	EMT-KHB3-M52x2	315	32	32	40	M52x2	20	149	84	75	101	37.5	84	14	60	70
	EMT-KHB3-M60x2	315	40	38	45	M60x2	22	174	91	85	112	42.5	95	14	70	84
	EMT-KHB3-G1/8	500	04	06	/	G1/8	10	69	40	26	45	13.5	33	09	22	35
	EMT-KHB3-G1/4	500	06	06	/	G1/4	14	69	40	26	45	13.5	33	09	22	35
	EMT-KHB3-G3/8	500	10	10	/	G3/8	14	72	42	32	49	16	36	09	27	36
	EMT-KHB3-G1/2	500	13	12	/	G1/2	16	83	48	35	49	17	40	09	30	40
	EMT-KHB3-G1/2	400	16	15	/	G1/2	16	83	48	38	61	19	45	09	32	42
	EMT-KHB3-G3/4	315	20	20	/	G3/4	18	95	60	48	70	25	55	12	41	49
	EMT-KHB3-G1	315	25	25	/	G1	21	113	65	57	79	28.5	64	12	50	56.5
	EMT-KHB3-G1.1/4	315	32	32	/	G1.1/4	22	110	84	75	101	37.5	84	14	60	62.5
	EMT-KHB3-G1.1/2	315	40	38	/	G1.1/2	24	130	91	85	112	42.5	95	14	70	61
	EMT-KHB3-G2	315	50	48	/	G2	26	140	100	105	131	52.5	112	14	80	62.5
	EMT-KHB3-NPT1/8	500	04	06	/	NPT1/8	10	69	40	26	45	13.5	33	09	22	35
	EMT-KHB3-NPT1/4	500	06	06	/	NPT1/4	14	69	40	26	45	13.5	33	09	22	35
	EMT-KHB3-NPT3/8	500	10	10	/	NPT3/8	14	72	42	32	49	16	36	09	27	36
	EMT-KHB3-NPT1/2	500	13	12	/	NPT1/2	16	83	48	35	49	17	40	09	30	40
	EMT-KHB3-NPT1/2	400	16	15	/	NPT1/2	16	83	48	38	61	19	45	09	32	42
	EMT-KHB3-NPT3/4	315	20	20	/	NPT3/4	18	95	60	48	70	25	55	12	41	49
	EMT-KHB3-NPT1	315	25	25	/	NPT1	21	113	65	57	79	28.5	64	12	50	56.5
	EMT-KHB3-NPT1.1/4	315	32	32	/	NPT1.1/4	22	110	84	75	101	37.5	84	14	60	62.5
	EMT-KHB3-NPT1.1/2	315	40	38	/	NPT1.1/2	24	130	91	85	112	42.5	95	14	70	61
	EMT-KHB3-NPT2	315	50	48	/	NPT2	26	140	100	105	131	52.5	112	14	80	62.5
	EMT-KHB3-06LR	500	04	04	06	M12x1.5	10	67	40	26	45	13.5	33	09	22	33.5
	EMT-KHB3-08LR	500	06	06	08	M14x1.5	10	67	40	26	45	13.5	33	09	22	33.5
	EMT-KHB3-10LR	500	08	08	10	M16x1.5	11	74	42	32	49	16	36	09	27	37
	EMT-KHB3-12LR	500	10	10	12	M18x1.5	11	74	42	32	49	16	36	09	27	37
	EMT-KHB3-15LR	500	13	12	15	M22x1.5	12	82	48	35	53	17	40	09	30	40
	EMT-KHB3-15LR	500	12	12	15	M22x1.5	12	82	48	38	61	19	45	09	32	40
	EMT-KHB3-18LR	500	13	12	18	M26x1.5	12	82	48	35	53	17	40	09	30	42
	EMT-KHB3-18LR	400	16	15	18	M26x1.5	12	82	48	38	61	19	45	09	32	42
	EMT-KHB3-22LR	315	20	19	22	M30x2	14	101	60	48	70	25	55	12	41	52
	EMT-KHB3-28LR	315	25	24	28	M36x2	14	108	65	57	79	28.5	64	12	50	54
	EMT-KHB3-35LR	315	32	30	35	M45x2	16	141	84	75	101	37.5	84	14	60	66
	EMT-KHB3-42LR	315	40	36	42	M52x2	16	162	91	85	112	42.5	95	14	70	78
		EMT-KHB3-08SR	500	04	05	08	M16x1.5	12	73	40	26	45	13.5	33	09	22
EMT-KHB3-10SR		500	06	06	10	M18x1.5	12	73	40	26	45	13.5	33	09	22	37
EMT-KHB3-12SR		500	08	08	12	M20x1.5	12	76	42	32	49	16	36	09	27	38
EMT-KHB3-14SR		500	10	10	14	M22x1.5	14	80	42	32	49	16	36	09	27	40
EMT-KHB3-16SR		500	13	12	16	M24x1.5	14	86	48	35	53	17	40	09	30	44
EMT-KHB3-16SR		500	12	12	16	M24x1.5	14	86	48	38	61	19	45	09	32	43.5
EMT-KHB3-20SR		500	13	12	20	M30x2	16	90	48	35	53	17	40	09	30	44
EMT-KHB3-20SR		400	16	15	20	M30x2	16	90	48	38	61	19	45	09	32	45.5
EMT-KHB3-25SR		315	20	20	25	M36~2	18	109	60	48	70	25	55	12	41	56
EMT-KHB3-30SR		315	25	25	30	M42x2	20	120	65	57	79	28.5	64	12	50	60
EMT-KHB3-38SR		315	32	30	38	M52x2	22	153	84	75	101	37.5	84	14	60	72

Other form or requirements needs to be expressed by ordering.

**EMT-VH2V Series High Pressure Ball Valve**

▲ **Model Code**

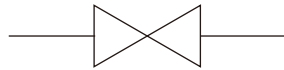
**EMT-VH2V -- M27x1.5 -- 1112 -- 01x-- \***

1
2
3 4 5 6
7 8
9

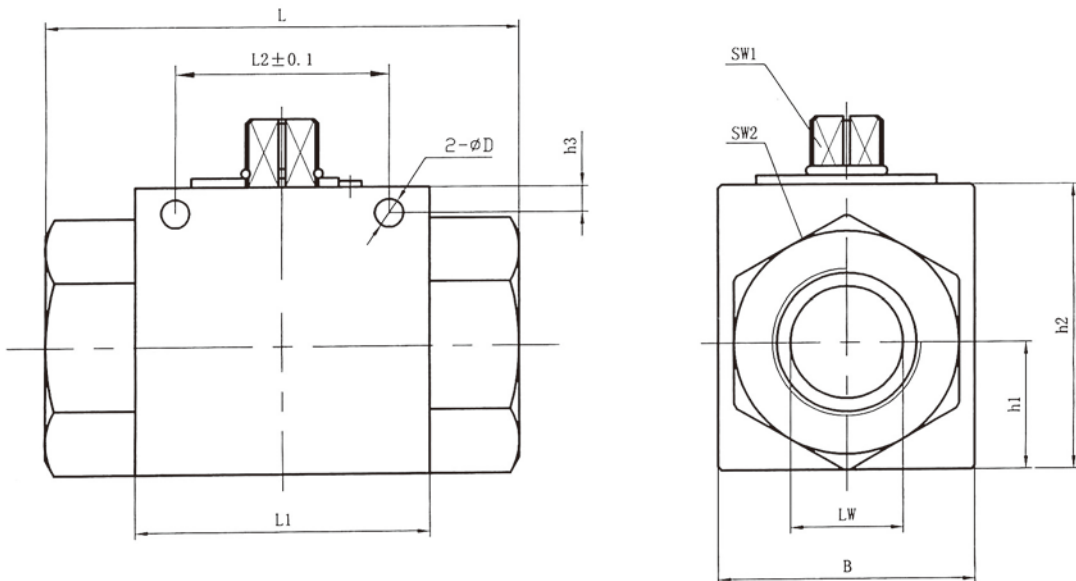


- \* Series Code:EMT-VH2V Series
- \* Joint Code: M\*\*,G\*\*, \*\*LR, \*\*SR, PT\*\*,NPT\*\*
- \* Valve Body Material:1-steel,2-stainless steel
- \* Ball Body Material:1-steel,2-Brass,3-stainless steel
- \* Operating Temperature: 1. - 25~+100 °C ,2. - 30~+170 °C
- \* Other Airproof: 2-NBR,4-FPM
- \* Handle Type:01-Aluminium straight handle,02-Aluminium crooked handle 03-casting zinc straight handle, 04-casting zinc crooked handle,05-steel straight handle,06-steel crooked handle,09-without handle
- \* Design Number:To be decided by the manufacturer
- \* Surface Disposak:Blank-phosphoric polish,G- electroplated yellow zinc

▲ **Symbol**

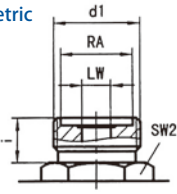
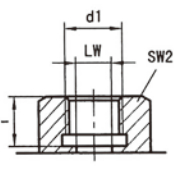
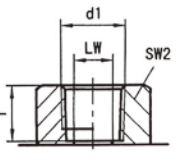
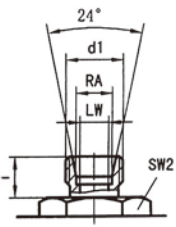
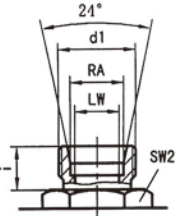


▲ **Overall Dimension**



Other form or requirements needs to be expressed by ordering.

▲ Model Code

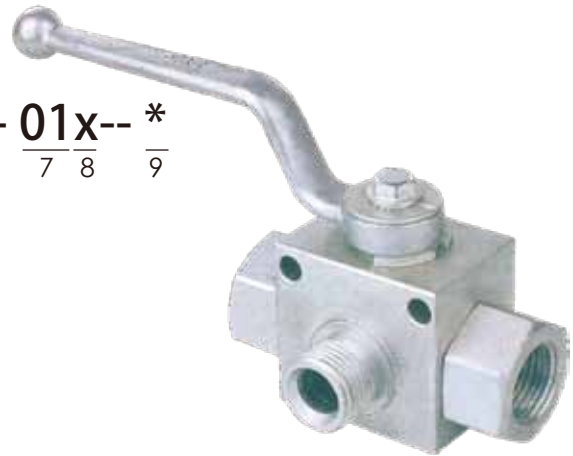
Port Chart	Model	PN (bar)	DN	LW	RA	d1	i	L	L1	B	L2	h1	h2	SW1	SW2	D	h3
 <p>This tie-in JB984-77 standard</p>	EMT-VH2V-M16x1.5	500	06	06	11	M16x1.5	11	69	40	26	31.5	13.5	35	09	22	4.5	4.8
	EMT-VH2V-M27x1.5	500	10	08	20	M27x1.5	12	76	42	32	31.5	16	40	09	27	5.3	5.8
	EMT-VH2V-M36x1.5	400	20	10	30	M36x2	15	103	60	48	48.5	25	58	12	41	6.5	6
	EMT-VH2V-M42x1.5	350	25	23	35	M42x2	18	116	65	57	50.5	28.5	65	12	50	8.5	7
	EMT-VH2V-G1/4	500	06	06	/	NPT1/4	14	69	40	26	31.5	13.5	35	09	22	4.5	4.8
	EMT-VH2V-G3/8	500	10	10	/	NTP3/8	14	72	42	32	31.5	16	40	09	27	5.3	5.8
	EMT-VH2V-G1/2	500	13	12	/	NTP1/2	16	83	48	35	38.5	18	45	09	30	6.5	6
	EMT-VH2V-G3/4	400	20	20	/	NTP3/4	18	95	60	50	48.5	23	58	12	41	6.5	6
	EMT-VH2V-G1	350	25	23	/	NTP1	21	113	65	57	50.5	27.5	65	12	46	8.5	7
	EMT-VH2V-NPT1/4	500	06	06	/	NPT1/4	14	69	40	26	31.5	13.5	35	09	22	4.5	4.8
	EMT-VH2V-NPT3/8	500	10	10	/	NTP3/8	14	72	42	32	31.5	16	40	09	27	5.3	5.8
	EMT-VH2V-NPT1/2	500	13	12	/	NTP1/2	16	83	48	35	38.5	18	45	09	30	6.5	6
	EMT-VH2V-NPT3/4	400	20	20	/	NTP3/4	18	95	60	50	48.5	23	58	12	41	6.5	6
	EMT-VH2V-NPT1	350	25	23	/	NTP1	21	113	65	57	50.5	27.5	65	12	46	8.5	7
 <p>DIN2353 Light duty</p>	EMT-VH2V-08LR	500	06	06	08	M14x1.5	10	67	40	26	31.5	13.5	35	09	22	4.5	4.8
	EMT-VH2V-12LR	500	10	10	12	M18x1.5	11	74	42	32	31.5	16	40	09	27	5.3	5.8
	EMT-VH2V-15LR	500	13	12	15	M22x1.5	12	82	48	35	38.5	18	45	09	30	6.5	6
	EMT-VH2V-18LR	500	13	12	18	M26x1.5	12	82	48	35	38.5	18	45	09	30	6.5	6
	EMT-VH2V-22LR	400	20	20	22	M30x2	14	101	60	50	48.5	23	58	12	41	6.5	6
	EMT-VH2V-28LR	350	25	24	28	M36x2	14	108	65	57	50.5	27.5	65	12	46	8.5	7
 <p>DIN2353 Heavy duty</p>	EMT-VH2V-10SR	500	06	06	10	M18x1.5	12	73	40	26	31.5	13.5	35	09	22	4.5	4.8
	EMT-VH2V-14SR	500	10	10	14	M22x1.5	14	80	42	32	31.5	16	40	09	27	5.3	5.8
	EMT-VH2V-16SR	500	13	12	16	M24x1.5	14	86	48	35	38.5	18	45	09	30	6.5	6
	EMT-VH2V-20SR	500	13	12	20	M30x1.5	16	90	48	35	38.5	18	45	09	30	6.5	6
	EMT-VH2V-25SR	400	20	20	25	M36x2	18	109	60	50	48.5	23	58	12	41	6.5	6
	EMT-VH2V-30SR	350	25	25	30	M42x2	20	120	65	57	50.5	27.5	65	12	46	8.5	7

Other form or requirements needs to be expressed by ordering.

**EMT-VH3V Series Two-position Three-way High Pressure Ball Valve**

**▲ Model Code**

**EMT-VH3V** -- **M27x1.5** -- **1112** -- **01x** -- \*  
 1                      2                      3 4 5 6                      7 8                      9

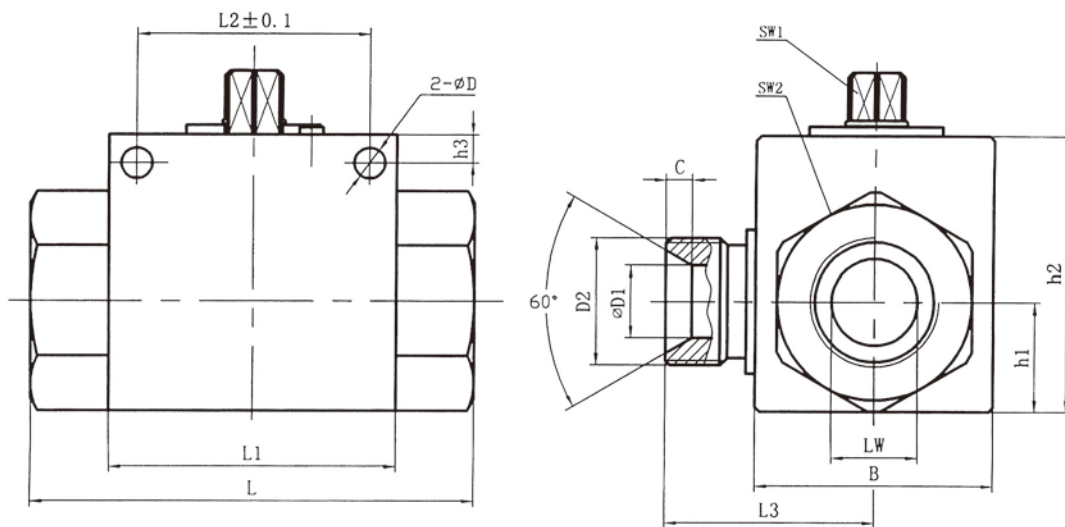


- \* Series Code:EMT-VH3V Series
- \* Joint Code: M\*\*,G\*\*, \*\*LR, \*\*SR, PT\*\*,NPT\*\*
- \* Valve Body Material:1-steel,2-stainless steel
- \* Ball Body Material:1-steel,2-Brass,3-stainless steel
- \* Operating Temperature: 1. - 25~+100 °C ,2. - 30~+170 °C
- \* Other Airproof: 2-NBR,4-FPM
- \* Handle Type:01-Aluminium straight handle,02-Aluminium crooked handle 03-casting zinc straight handle, 04-casting zinc crooked handle,05-steel straight handle.06-steel crooked handle,09-without handle
- \* Design Number:To be decided by the manufacturer
- \* Surface Disposak: Blank-phosphoric polish,G- electroplated yellow zinc

**▲ Symbol**



**▲ Overall Dimension**



Other form or requirements needs to be expressed by ordering.



▲ Model Code

Port Chart	Model	PN (bar)	DN	LW	RA	d1 (D2)	i	L	L1	B	L2	h1	h2	SW1	SW2	D	h3	L3	D1	C
	EMT-VH3V-M16x1.5	500	06	06	11	M16x1.5	11	69	40	26	31.5	13.5	35	09	22	4.5	4.8	26	6	4
	EMT-VH3V-M27x1.5	500	10	10	20	M27x1.5	12	76	42	32	31.5	16	40	09	27	5.3	5.8	31	8	4
	EMT-VH3V-M36x2	400	20	20	30	M36x2	15	103	60	48	48.5	25	58	12	41	6.5	6	44	15	5.5
	EMT-VH3V-M42x2	350	25	23	35	M42x2	18	116	65	57	50.5	28.5	65	12	50	8.5	7	53.5	22	5
	EMT-VH3V-G1/4	500	06	06	/	NPT1/4	14	69	40	26	31.5	13.5	35	09	22	4.5	4.8	26	6	4
	EMT-VH3V-G3/8	500	10	10	/	NTP3/8	14	72	42	32	31.5	16	40	09	27	5.3	5.8	31	8	4
	EMT-VH3V-G1/2	500	13	12	/	NTP1/2	16	83	48	35	38.5	18	45	09	30	6.5	6	35	12	3
	EMT-VH3V-G3/4	400	20	20	/	NTP3/4	18	95	60	50	48.5	23	58	12	41	6.5	6	44	15	5.5
	EMT-VH3V-G1	350	25	25	/	NTP1	21	113	65	57	50.5	27.5	65	12	46	8.5	7	53.5	22	5
	EMT-VH3V-NPT1/4	500	06	06	/	NPT1/4	14	69	40	26	31.5	13.5	35	09	22	4.5	4.8	26	6	4
	EMT-VH3V-NPT3/8	500	10	10	/	NTP3/8	14	72	42	32	31.5	16	40	09	27	5.3	5.8	31	8	4
	EMT-VH3V-NPT1/2	500	13	12	/	NTP1/2	16	83	48	35	38.5	18	45	09	30	6.5	6	35	12	3
	EMT-VH3V-NPT3/4	400	20	20	/	NTP3/4	18	95	60	50	48.5	23	58	12	41	6.5	6	44	15	5.5
	EMT-VH3V-NPT1	350	25	25	/	NTP1	21	113	65	57	50.5	27.5	65	12	46	8.5	7	53.5	22	5
	EMT-VH3V-08LR	500	06	06	08	M14x1.5	10	67	40	26	31.5	13.5	35	09	22	4.5	4.8	26	6	4
	EMT-VH3V-12LR	500	10	10	12	M18x1.5	11	74	42	32	31.5	16	40	09	27	5.3	5.8	31	8	4
	EMT-VH3V-15LR	500	13	12	15	M22x1.5	12	82	48	35	38.5	18	45	09	30	6.5	6	35	12	3
	EMT-VH3V-18LR	500	13	12	18	M26x1.5	12	82	48	35	38.5	18	45	09	30	6.5	6	35	12	3
	EMT-VH3V-22LR	400	20	29	22	M30x2	14	101	60	50	48.5	23	58	12	41	6.5	6	44	15	5.5
	EMT-VH3V-28LR	350	25	24	28	M36x2	14	108	65	57	50.5	27.5	65	12	46	8.5	7	53.5	22	5
	EMT-VH3V-10SR	500	06	06	10	M18x1.5	12	73	40	26	31.5	13.5	35	09	22	4.5	4.8	26	6	4
	EMT-VH3V-14SR	500	10	10	14	M22x1.5	14	80	42	32	31.5	16	40	09	27	5.3	5.8	31	8	4
	EMT-VH3V-16SR	500	13	12	16	M24x1.5	14	86	48	35	38.5	18	45	09	30	6.5	6	35	12	3
	EMT-VH3V-20SR	500	13	12	20	M30x1.5	16	90	48	35	38.5	18	45	09	30	6.5	6	35	12	3
	EMT-VH3V-25SR	400	20	20	25	M36x2	18	109	60	50	48.5	23	58	12	41	6.5	6	44	15	5.5
	EMT-VH3V-30SR	350	25	25	30	M42x2	20	120	65	57	50.5	27.5	65	12	46	8.5	7	53.5	22	5

Other form or requirements needs to be expressed by ordering.

**EMT-KH\*B Series Straight High Pressure Ball Valve**

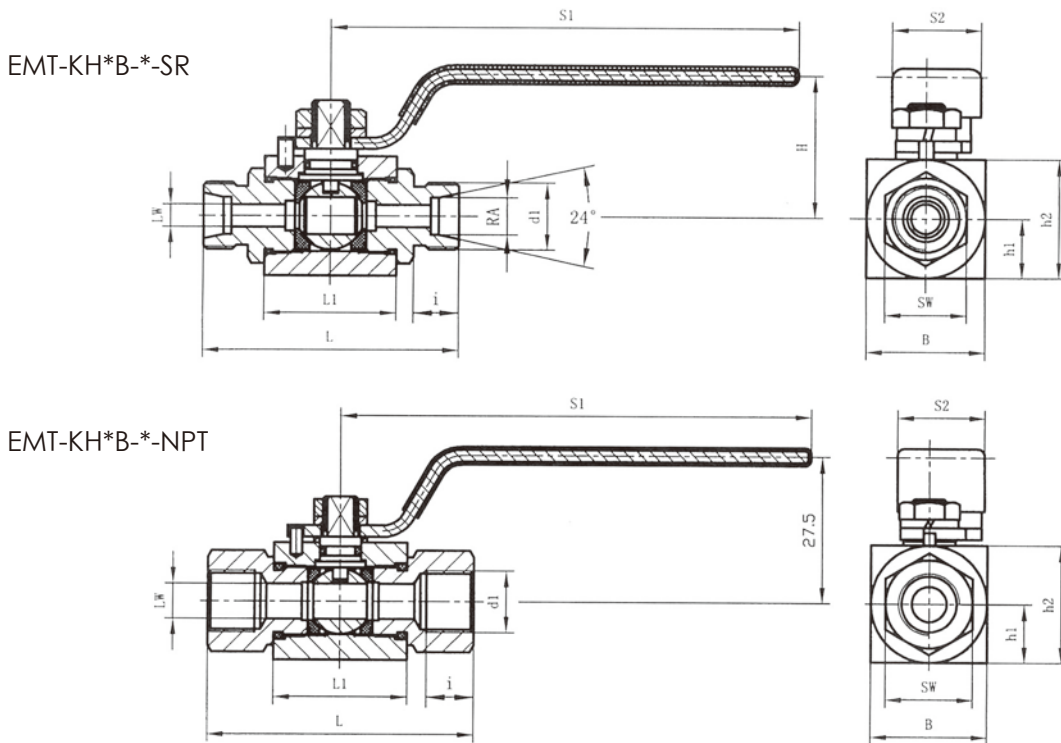
**▲ Technical Specifications**

- \* Nominal Pressure: 31.5MPa
- \* Valve Body Material: 304、316
- \* Operating Temperature: -30~+170 °C

**▲ Symbol**



**▲ Overall Dimension**



Model	PN (bar)	DN	LW	RA	d1	i	L	L1	B	H	h1	h2	S1	S2	SW
EMT-KH1B-10-10SR	315	10	06	10	M18x1.5	12	68	35	32	38	16	32	125	24	22
EMT-KH1B-10-12SR	315	10	08	12	M20x1.5	12	69	35	32	38	16	32	125	24	27
EMT-KH1B-10-14SR	315	10	10	14	M22x1.5	14	73	35	32	38	16	32	125	24	27
EMT-KH2B-13-20SR	315	13	13	20	M30x2	16	110	45	40	50	20	40	160	30	30
EMT-KH2B-13-NPT1/2	315	13	12	/	NPT 1/2	18	90	45	40	50	20	40	160	30	30
EMT-KH2B-13-NPT3/4	315	13	12	/	NPT 3/4	18	90	45	40	50	20	40	160	30	33
EMT-KH3B-20-NPT 1	315	20	20	/	NPT 3/4	20	98	51	50	55	25	50	160	30	46

Other form or requirements needs to be expressed by ordering.

**EMT-YJZQ Series Straight High Pressure Ball Valve**

**▲ Technical Specifications**

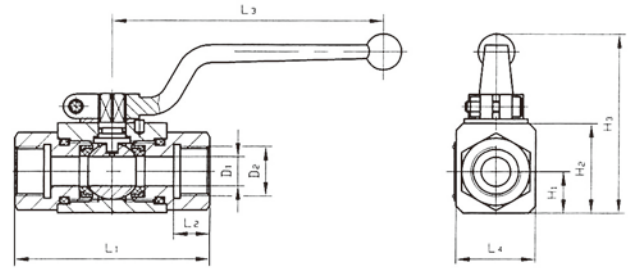
- \* Nominal Pressure: 31.5MPa
- \* Applicable Medium: 液压油 Hydraulic Oil

**▲ Symbol**

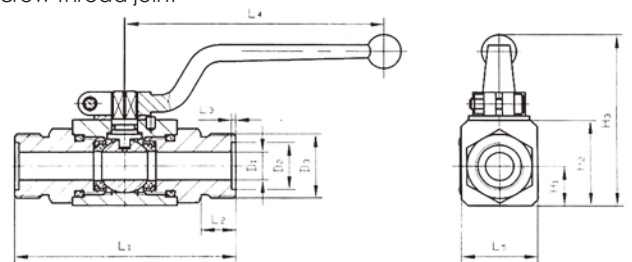


**▲ Overall Dimension**

Inner screw thread joint



Outer screw thread joint



Model	D1	D2	L1	L2	L3	L4	H1	H2	H3
EMT-YJZQ-J10N	Ø10	M18x1.5	78	14	105	32	16	36	76
EMT-YJZQ-J 15N	Ø15	M22x1.5	86	16	147	38	19	45	80
EMT-YJZQ-J20N	Ø20	M27x2	108	18	185	48	25	55	101
EMT-YJZQ-J25N	Ø25	M33x2	116	20	185	57	28.5	64	111
EMT-YJZQ-J32N	Ø32	M42x2	136	22	240	75	37.5	84	134
EMT-YJZQ-J40N	Ø40	M48x2	148	24	240	85	42.5	95	165
EMT-YJZQ-J50N	Ø50	M64x2	180	26	240	104	52	112.5	180

Model	D1	D2	D3	L1	L2	L3	L4	L5	H1	H2	H3
EMT-YJZQ-J10W	Ø10	Ø20	M27x1.5	94	16	2	105	32	16	36	76
EMT-YJZQ-J 15W	Ø15	Ø22	M30x1.5	102	16	2	147	38	19	45	80
EMT-YJZQ-J20W	Ø20	Ø28	M36x2	124	18	2.5	185	48	25	55	101
EMT-YJZQ-J25W	Ø25	Ø35	M42x2	136	20	2.5	185	57	28.5	64	111
EMT-YJZQ-J32W	Ø32	Ø40	M52x2	149	20	2.5	240	75	37.5	84	134
EMT-YJZQ-J40W	Ø40	Ø50	M64x2	180	24	2.5	240	85	42.5	95	165
EMT-YJZQ-J50W	Ø50	Ø60	M72x2	210	26	2.5	240	104	52	112.5	180

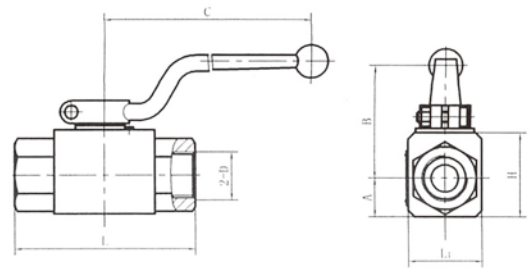
Other form or requirements needs to be expressed by ordering.

**EMT-KH\*B Series Straight High Pressure Ball Valve**



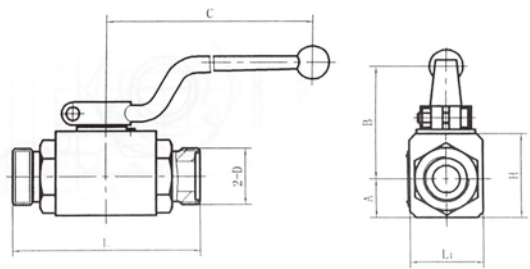
Female thread connection dimensions

Model	A	B	C	L	L1	H	2-D
EMT-QJH-06NL	13.5	27	105	67	26	33	M16x1.5
EMT-QJH-10NL	16	40	105	76	32	36	M18x1.5
EMT-QJH-15NL	19	45	147	88	38	45	M27x2
EMT-QJH-20NL	25	46	185	100	48	55	M33x2
EMT-QJH-25NL	28.5	59	185	116	57	64	M42x2
EMT-QJH-32NL	37.5	74	240	130	75	84	M48x2
EMT-QJH-40NL	42.5	88	240	140	85	95	M60x2



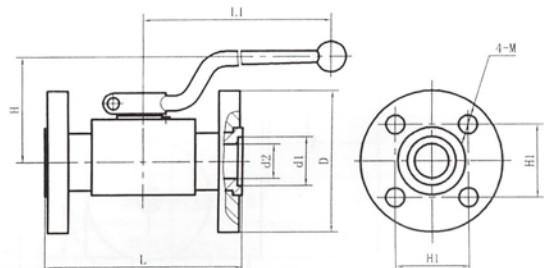
Male thread connection dimensions

Model	A	B	C	L	L1	H	2-D
EMT-QJH-06WL	13.5	27	105	71	26	33	M16x1.5
EMT-QJH-10WL	16	40	105	86	32	36	M18x1.5
EMT-QJH-15WL	19	45	147	96	38	45	M27x2
EMT-QJH-20WL	25	46	185	112	48	55	M33x2
EMT-QJH-25WL	28.5	59	185	122	57	64	M42x2
EMT-QJH-32WL	37.5	74	240	145	75	84	M48x2
EMT-QJH-40WL	42.5	88	240	163	85	95	M60x2



Flange connection dimensions

Model	L	L1	H	H1	D	d1	d2	M
EMT-QJH-10F	103	105	44	36	Ø68	Ø22	Ø10	M10
EMT-QJH-15F	113	147	46	40	Ø75	Ø24	Ø15	M10
EMT-QJH-20F	117	185	48	42	Ø78	Ø30	Ø20	M10
EMT-QJH-25F	133	185	56	56	Ø100	Ø35	Ø23	M12
EMT-QJH-32F	145	240	63	62	Ø110	Ø45	Ø32	M12
EMT-QJH-40F	175	240	74	73	Ø130	Ø50	Ø38	M16



Other form or requirements needs to be expressed by ordering.

# Index



ISO7241-A Ball locking type \_\_\_\_\_ P145/P146

ISO7241-B Ball locking type \_\_\_\_\_ P147/P148

ISO 16028 Guick Coupling \_\_\_\_\_ P149/P150

JB/ZQ4434-86(Q/ZB 275-77) \_\_\_\_\_ P151-P152

RC-1027 Camlock Coupling \_\_\_\_\_ P153-P154



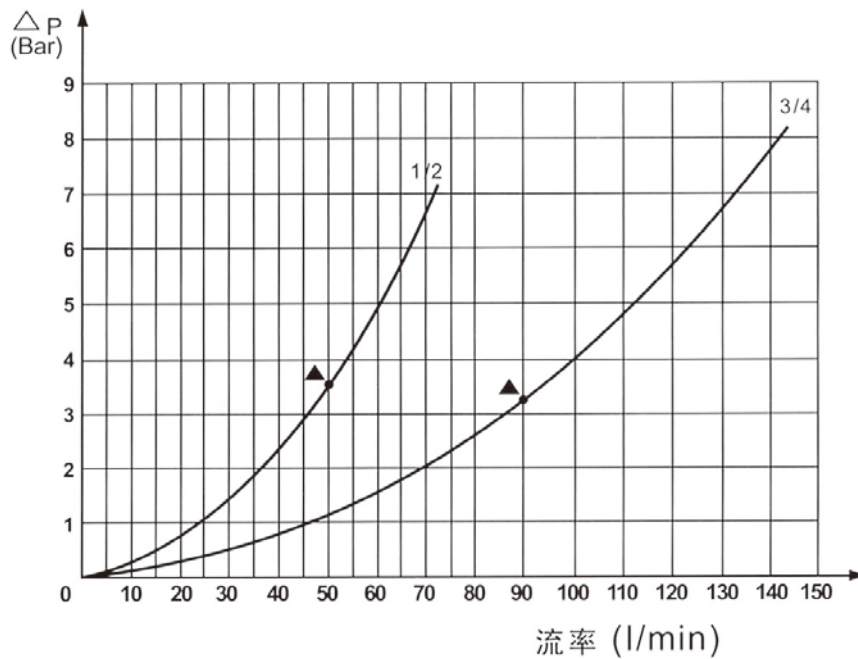
Other form or requirements needs to be expressed by ordering.

**ISO7241-A Ball Locking type**



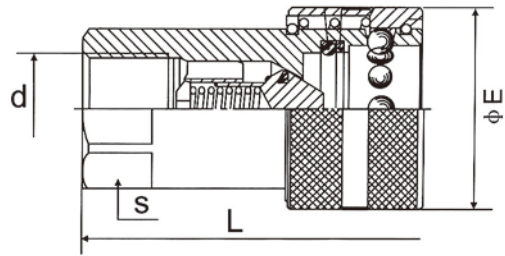
**▲ Technical Specifications**

- \* Manufacture standard: ISO 7241-A
- \* Material: carbonizing steel
- \* Seal: NBR,Antiextrusion rings: PTFE
- \* Working temperature: -200C to 1100C
- \* Applications: use in the Industry hydraulic system



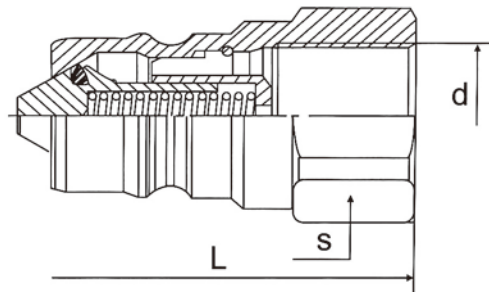
Other form or requirements needs to be expressed by ordering.

▲ Socket



Female Reference	DN	Dimensions	Thread	material steel maximum pressure	s	L
EMT-LX-SF-1/4"	6	1/4"	BSP/NPT	35MPa	19	72
EMT-LX-SF-3/8"	8	3/8"	BSP/NPT	35MPa	22	81
EMT-LX-SF-1/2"	10	1/2"	BSP/NPT	35MPa	27	87.5
EMT-LX-SF-3/4"	15	3/4"	BSP/NPT	27MPa	38	112
EMT-LX-SF-1"	20	1"	BSP/NPT	27MPa	45	126
EMT-LX-SF-1 1/4"	25	1 1/4"	BSP/NPT	27MPa	50	150
EMT-LX-SF-1 1/2"	32	1 1/2"	BSP/NPT	27MPa	60	167

▲ Plug



Maleunion Reference	DN	Dimensions	Thread	material steel maximum pressure	s	L
EMT-LX-PF-1/4"	6	1/4"	BSP/NPT	35MPa	19	72
EMT-LX-PF-3/8"	8	3/8"	BSP/NPT	35MPa	22	81
EMT-LX-PF-1/2"	10	1/2"	BSP/NPT	35MPa	27	87.5
EMT-LX-PF-3/4"	15	3/4"	BSP/NPT	27MPa	38	112
EMT-LX-PF-1"	20	1"	BSP/NPT	27MPa	45	126
EMT-LX-PF-1 1/4"	25	1 1/4"	BSP/NPT	27MPa	50	150
EMT-LX-PF-1 1/2"	32	1 1/2"	BSP/NPT	27MPa	60	167

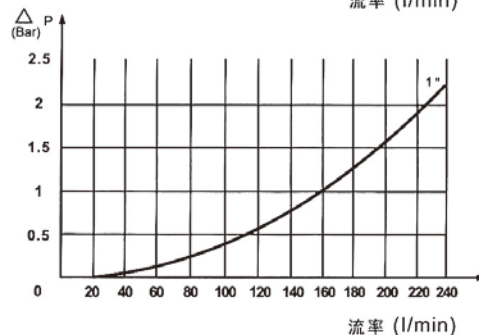
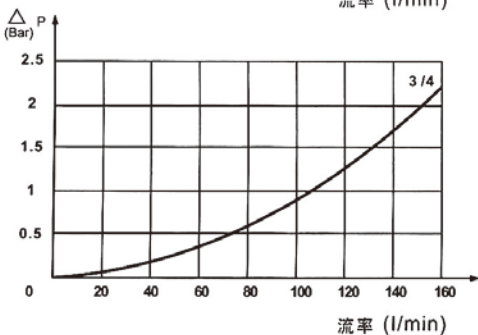
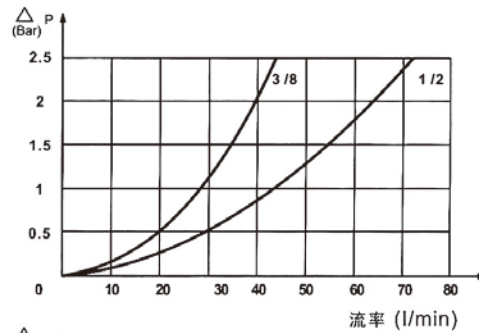
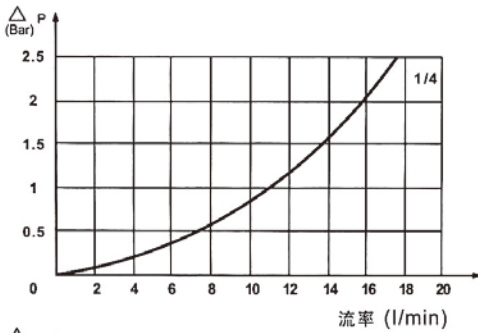
Other form or requirements needs to be expressed by ordering.

**ISO7241-B Ball Locking type**



**▲ Technical Specifications**

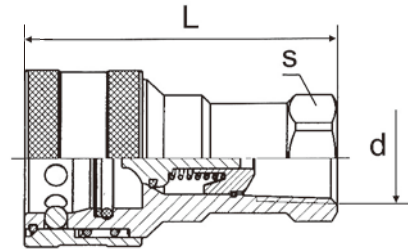
- \* Manufacture standard: ISO 7241-B
- \* Material: carbonizing steel, stainlesssteel  
1.4305, brass
- \* Seal: NBR, viton Antiextrusion rings: PTFE
- \* Working temperature: -20° C to 110° C
- \* Applications: use in the Industry hydraulic system



Other form or requirements needs to be expressed by ordering.

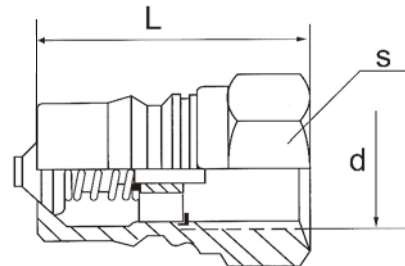


▲ Socket



Female Reference	DN	Dimensions	Thread	material steel maximum pressure	S	L
EMT-KZE-SF-1/4"	6	1/4"	BSP/NPT	35MPa	19	72
EMT-KZE-SF-3/8"	8	3/8"	BSP/NPT	35MPa	22	81
EMT-KZE-SF-1/2"	10	1/2"	BSP/NPT	35MPa	27	87.5
EMT-KZE-SF-3/4"	15	3/4"	BSP/NPT	27MPa	38	112
EMT-KZE-SF-1"	20	1"	BSP/NPT	27MPa	45	126

▲ Plug



Female Reference	DN	Dimensions	Thread	material steel maximum pressure	S	L
EMT-KZE-PF-1/4"	6	1/4"	BSP/NPT	25MPa	22	72
EMT-KZE-PF-3/8"	8	3/8"	BSP/NPT	26MPa	27	81
EMT-KZE-PF-1/2"	10	1/2"	BSP/NPT	34MPa	27	87.5
EMT-KZE-PF-3/4"	15	3/4"	BSP/NPT	27MPa	41	112
EMT-KZE-PF-1"	20	1"	BSP/NPT	27MPa	41	126



**Technical Date:**  
**Manufacturing Standard:** ISO7241-A,B  
**Material:** plastic  
**Purposre:** to protect the screw thread and prevent dust when the quick coupling comes

Note: KZE means the material is Stainless steel (SUS304, SUS321, SUS310 and SUS316) . KZD is for Brass.

Other form or requirements needs to be expressed by ordering.

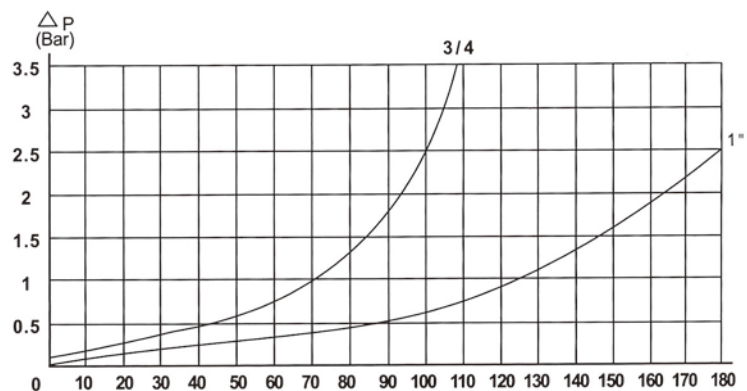
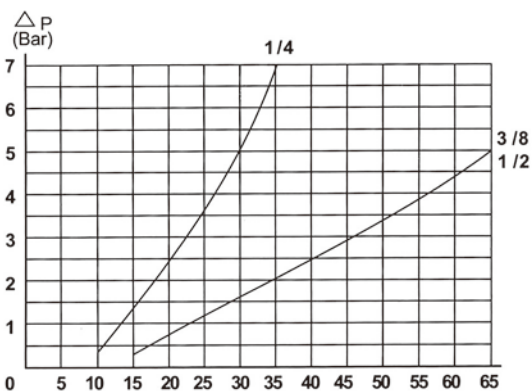
**ISO 16028 Quick Coupling**



Technical Date:  
 Manufacturing Standard: ISO7241-A,B  
 Material:plastic  
 Purpose:to protect the screw thread and prevent dust when the quick coupling comes

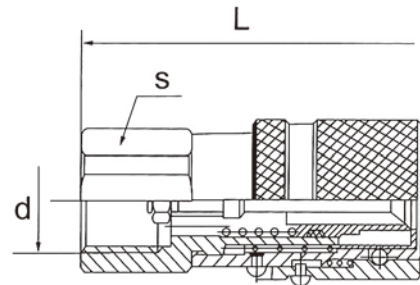
**▲ Technical Specifications**

- \* Manufacture standard: ISO 16028
- \* Material: carbon steel, steel with carbonitrided、 stainless steel 1.4305 (AISI303.AISI316)。
- \* Seal: NBR, VITON Antiextrusion rings: PTFE
- \* Working temperature: -200° C to 110° C
- \* Applications: use in the Industry hydraulic system
- \* Flat face can protect the hydraulic system
- \* male and female shut off no spillage can protect the ecological



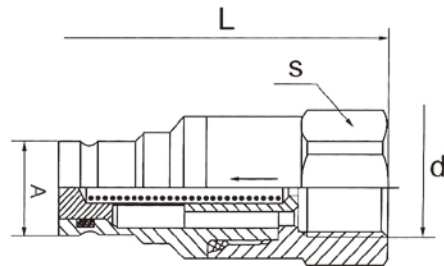
Other form or requirements needs to be expressed by ordering.

▲ Socket



Female Reference	DN	Dimensions	Thread	material steel maximum pressure	S	L
EMT-LX-SF-1/4"	6	1/4"	BSP/NPT	30MPa	22	85.5
EMT-LX-SF-3/8"	10	3/8"	BSP/NPT	30MPa	27	116.5
EMT-LX-SF-1/2"	10	1/2"	BSP/NPT	30MPa	27	116.5
EMT-LX-SF-1/2"	13	1/2"	BSP/NPT	25MPa	32	134.5
EMT-LX-SF-3/4"	13	3/4"	BSP/NPT	25MPa	32	134.5
EMT-LX-SF-3/4"	15	3/4"	BSP/NPT	25MPa	36	132
EMT-LX-SF-1"	19	1"	BSP/NPT	25MPa	45	154
EMT-LX-SF-1 1/4"	21	1 1/4"	BSP/NPT	25MPa	55	173
EMT-LX-SF-1 1/2"	30	1 1/2"	BSP/NPT	20MPa	65	215
EMT-LX-SF-2"	45	2"	BSP/NPT	18MPa	80	240

▲ Plug



Female Reference	DN	Dimensions	Thread	material steel maximum pressure	S	L
EMT-LX-PF-1/4"	6	1/4"	BSP/NPT	30MPa	22	85.5
EMT-LX-PF-3/8"	10	3/8"	BSP/NPT	30MPa	24	116.5
EMT-LX-SPF-1/2"	10	1/2"	BSP/NPT	30MPa	24	116.5
EMT-LX-PF-1/2"	13	1/2"	BSP/NPT	25MPa	27	134.5
EMT-LX-PF-3/4"	13	3/4"	BSP/NPT	25MPa	27	134.5
EMT-LX-PF-3/4"	15	3/4"	BSP/NPT	25MPa	36	132
EMT-LX-PF-1"	19	1"	BSP/NPT	25MPa	45	154
EMT-LX-PF-1 1/4"	21	1 1/4"	BSP/NPT	25MPa	55	173
EMT-LX-PF-1 1/4"	30	1 1/2"	BSP/NPT	20MPa	70	215
EMT-LX-PF-2"	45	2"	BSP/NPT	18MPa	75	240

Other form or requirements needs to be expressed by ordering.

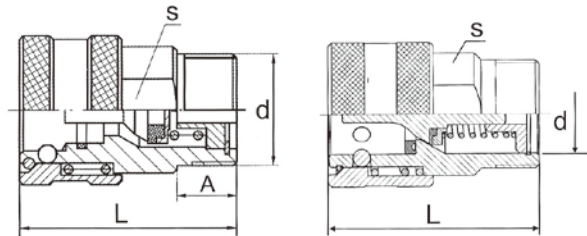
EMT-JB/ZQ4434-86(Q/ZB 275-77)



### ▲ Technical Specifications

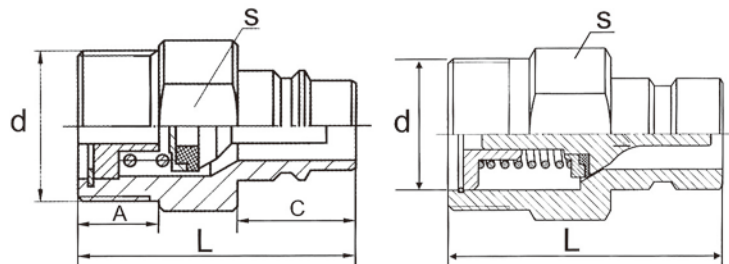
- \* Material: Carbon steel, brass, stainless steel, AISI 303, AISI 316.
- \* Seal: NBR, VITON
- \* Working temperature: -200° C to 110° C
- \* Attention: please tell the material when you are order(steel, brass, stainless steel), this quick coupling have two type, there are Radial type and Axial type, if you order the radial type pis add the "radial" letter
- \* Application:Use in the industrial connect ,main in the use building equipment, Forest equipment, agriculture machinery, hydraulic, iron equipment and so on.

▲ Socket



Female Reference	DN	Dimensions	material steel maximum pressure	S	L
EMT-JB/ZQ4434-86-6-F	6	M16x1.5	31.5MPa	19	44
EMT-JB/ZQ4434-86-8-F	8	M22x1.5	31.5MPa	22	46
EMT-JB/ZQ4434-86-10-F	10	M27x1.5	31.5MPa	27	52
EMT-JB/ZQ4434-86-15-F	15	M30x1.5	25MPa	30	56
EMT-JB/ZQ4434-86-20-F	20	M36x2	20MPa	36	65
EMT-JB/ZQ4434-86-25-F	25	M42x2	16MPa	46	78
EMT-JB/ZQ4434-86-32-F	32	M52x2	16MPa	55	84
EMT-JB/ZQ4434-86-40-F	40	M60x2	10MPa	65	93
EMT-JB/ZQ4434-86-50-F	50	M68x2	10MPa	70	99

▲ Plug



Female Reference	DN	Dimensions	material steel maximum pressure	S	L
EMT-JB/ZQ4434-86-6-M	6	M16x1.5	31.5MPa	19	40
EMT-JB/ZQ4434-86-8-M	8	M22x1.5	31.5MPa	22	41
EMT-JB/ZQ4434-86-10-M	10	M27x1.5	31.5MPa	27	46
EMT-JB/ZQ4434-86-15-M	15	M30x1.5	25MPa	30	53
EMT-JB/ZQ4434-86-20-M	20	M36x2	20MPa	36	59
EMT-JB/ZQ4434-86-25-M	25	M42x2	16MPa	46	66
EMT-JB/ZQ4434-86-32-M	32	M52x2	16MPa	55	79
EMT-JB/ZQ4434-86-40-M	40	M60x2	10MPa	65	90
EMT-JB/ZQ4434-86-50-M	50	M68x2	10MPa	70	97

Other form or requirements needs to be expressed by ordering.

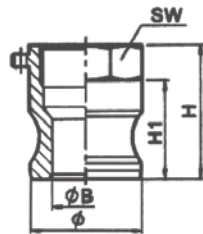
**EMT-RC-1027Camlock Coupling**

**▲ Technical Specifications**

- \* Material: stainless steel, brass, aluminum
- \* Seal: NBR
- \* Working temperature: -20°C to 110°C
- \* Application: Iron, Municipal engineering, Chemistry, ship and so on.



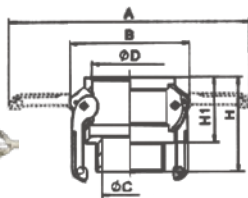
Type A



Item	Thread	DN	ØA	ØB	H1	H	SW
EQ--A1/2"	1/2"	15	32.0	21.2	28.0	38.0	33.0
EQ--A3/4"	4/3"	20	32.0	21.2	28.0	38.0	33.0
EQ--A1"	1"	25	36.7	23.8	33.5	46.5	41.0
EQ--A 1 1/4"	1 1/4"	32	45.5	28.6	40.0	55.0	48.0
EQ--A1 1/2"	1 1/2"	40	53.4	36.0	42.5	58.5	56.0
EQ--A2"	2"	50	63.0	45.5	47.5	62.3	67.5
EQ--A2 1/2"	2 1/2"	65	75.7	56.4	50.0	68.0	83.0
EQ--A3"	3"	80	91.5	73.5	51.0	70.0	96.5
EQ--A4"	4"	100	119.5	100.0	53.0	76.0	124.0



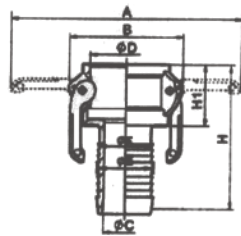
Type B



Item	Thread	DN	A	B	ØC	ØD	H1	H
EQ--B 1/2"	1/2"	15	115.0	57.0	15.0	32.4	30.0	48.0
EQ--B3/4"	3/4"	20						
EQ--B1"	1"	25	115.0	57.0	21.2	32.4	30.0	48.0
EQ--B1 1/4"	1 1/4"	32	137.0	65.6	25.0	37.3	39.0	61.0
EQ--B1 1/2"	1 1/2"	40	183.0	77.0	28.0	46.0	46.0	68.0
EQ--B2"	2"	50	191.0	85.0	39.0	54.0	48.0	70.5
EQ--B2 1/2"	2 1/2"	65	201.0	96.0	50.0	63.7	53.0	78.7
EQ--B3"	3"	80	213.0	110.4	58.0	76.5	58.0	86.0
EQ--B4"	4"	100	267.0	133.0	73.2	92.2	58.0	89.0



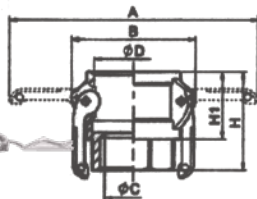
Type C



Item	Thread	DN	A	B	ØC	ØD	ØE	ØF	H1	H
112" 15 -- -- --										
EQ--C314 "	3/4"	20	115	57.0	13.6	32.4	20.7	19.4	30.0	80.0
EQ--C1"	1"	25	137	65.6	20.0	37.3	27.7	25.8	39.0	99.0
EQ--C 1 1/4"	1 1/4"	32	183	77.0	25.8	46.0	33.9	32.9	46.0	110.0
EQ--C1 1/2	1 1/2"	40	191	85.0	31.3	54.0	40.5	38.6	48.0	114.0
EQ--C2"	2"	50	201	96.0	43.8	63.7	52.0	51.0	53.0	129.0
EQ--C2 1/2"	2 1/2"	65	213	110.4	55.7	76.5	66.8	--	58.0	151.0
EQ--C3"	3"	80	267	133.0	68.0	92.2	79	--	58.0	160.0
EQ--C4"	4"	100	296	166.0	92.0	120.2	104.8	--	63.0	176.0

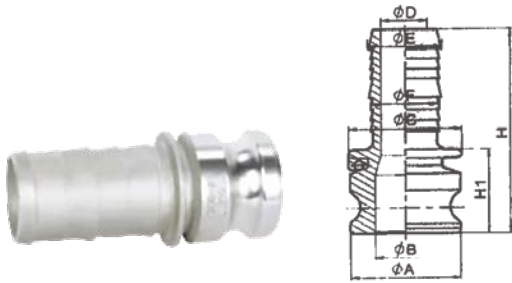


Type D



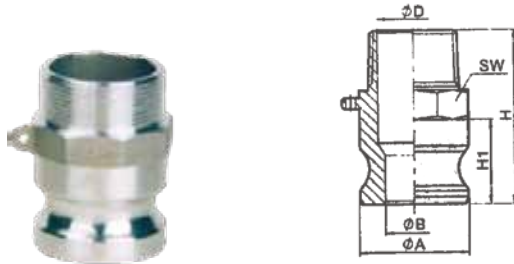
Item	Thread	DN	A	B	ØC	ØD	H1	H
EQ--D 1/2"	1/2"	15	115.0	57.0	17.0	32.4	30.0	46.0
EQ--D3/4"	3/4"	20	115.0	57.0	20.0	32.4	30.0	50.0
EQ--D 1"	1"	25	137.0	65.6	26.0	37.3	39.0	60.0
EQ--D 1 1/4"	1 1/4"	32	183.0	77.0	34.5	46.0	46.0	66.0
EQ--D 1 1/2"	1 1/2"	40	191.0	85.0	40.0	54.0	48.0	70.5
EQ--D2"	2"	50	201.0	96.0	50.0	63.7	53.0	76.0
EQ--D2 1/2"	2 1/2"	65	213.0	110.0	61.5	76.5	58.0	82.0
EQ--D3"	3"	80	267.0	133.0	75.0	92.2	58.0	86.0
EQ--D4"	4"	100	296.0	166.0	100.0	120.2	63.0	92.0

Other form or requirements needs to be expressed by ordering.



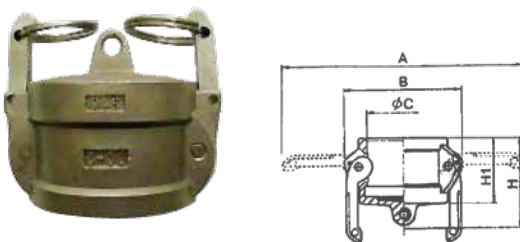
Type E

Item	Thead	DN	ØA	ØB	ØC	ØD	ØE	ØF	H1	H
EQ-E1/2"	1/2"	15	---							
EQ-E3/4"	3/4"	20	32.0	21.2	33.0	13.6	20.7	19.4	37.0	87.0
EQ-E1"	1"	25	36.7	23.8	39.0	20.0	27.7	25.8	44.0	104.0
EQ-E1 1/4"	1 1/4"	32	45.5	28.6	48.0	25.8	33.9	32.9	51.0	115.0
EQ-E1 1/2"	1 1/2"	40	53.4	36.0	56.0	31.3	40.5	38.6	52.0	118.0
EQ-E2"	2"	50	63.0	45.5	66.0	43.8	52.0	51.0	56.0	132.0
EQ-E2 1/2"	2 1/2"	65	75.7	55.7	80.0	55.7	66.8	--	64.0	156.0
EQ-E3"	3"	80	91.5	73.2	101.0	68.0	79.0	--	66.0	169.0
EQ-E4"	4"	100	119.5	91.0	130.0	92.0	104.8	--	68.0	180.0



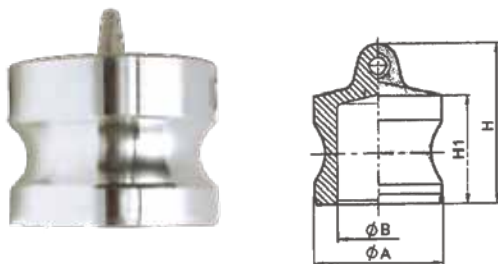
Type F

Item	Thead	DN	ØA	ØB	ØD	H1	H	SW
EQ-F1/2"	1/2"	15	32.0	21.2	15.0	28.0	56.0	33.0
EQ-F3/4"	3/4"	20	32.0	21.2	21.2	28.0	56.0	33.0
EQ-F1"	1"	25	36.7	23.8	23.8	33.5	69.0	41.0
EQ-F1 1/4"	1 1/4"	32	45.5	28.6	33.0	40.0	77.0	48.0
EQ-F1 1/2"	1 1/2"	40	53.4	36.0	39.6	42.5	80.0	56.0
EQ-F2"	2"	50	63.0	45.5	50.0	47.5	89.0	65.0
EQ-F2 1/2"	2 1/2"	65	75.7	56.4	56.4	50.0	98.0	82.5
EQ-F3"	3"	80	91.5	73.2	77.5	51.0	101.0	95.8
EQ-F4"	4"	100	119.5	100.0	100.0	53.0	114.0	124.0



Type DC

Item	Thead	DN	A	B	ØC	ØD	ØE
EQ DC1/2"	1/2"	15	....				
EQ-DC3/4"	4/3"	20	115.0	57.0	32.4	30.0	40.0
EQ-DC1"	1"	25	137.0	65.6	37.3	39.0	53.0
EQ DC1 1/4"	1 1/4"	32	183.0	77.0	46.0	46.0	61.0
EQ-DC1 1/2"	1 1/2"	40	191.0	85.0	54.0	48.5	64.0
EQ-DC2"	2"	50	201.0	96.0	63.7	53.3	68.0
EQ-DC2 1/2"	2 1/2"	65	213.0	110.0	76.5	58.0	82.0
EQ-DC3"	3"	80	267.0	133.0	92.2	58.0	83.0
EQ-DC4"	4"	100	296.0	166.0	120.2	63.0	93.0



Type DP

Item	Thead	DN	ØA	ØB	H1	H
EQ-DP 1/2"	1/2"	15	--	--		
EQ-DP3/4"	4/3"	20	32.0	21.2	25.0	35.0
EQ-DP1"	1"	25	36.7	23.8	30.5	44.5
EQ-DP1 1/4"	1 1/4"	32	45.5	28.6	37.7	52.7
EQ-DP1 1/2"	1 1/2"	40	53.4	36.0	38.7	53.7
EQ-DP2"	2"	50	63.0	45.5	42.8	57.8
EQ DP2 1/2"	2 1/2"	65	75.7	56.4	46.0	71.0
EQ-DP3"	3"	80	91.5	73.2	46.0	72.0
EQ DP4"	4"	100	119.5	100.0	50.0	76.0

Other form or requirements needs to be expressed by ordering.

# Emyte Australia Pty.Ltd.

Add: unit 6/23 Cook Road,Mitcham Victoria 3132

Tel line:+61 0398 745 266

Line 1:+61 0398 745 288

Line 2:+61 0398 745 299

fax line:+61 0398 745 277

Mail:info@emyte.com.au

Http://www.emyte.com.au

## Shanghai Yimiante Hydraulic Equipment.Co.,Ltd

Factory site:No.22#.HaiYiRoad SiTuanZhen FengXian

Area,Shanghai

TEL: 86-21-54313806 86-21-54313706

86-21-54313808 86-21-63510041

FAX: 86-21-63510042 86-21-54313809

Mail: sxd@yimiante.com

Http://www.yimiante.com

